



GARDENSTAR
Millenium 



REPAIR PARTS MANUAL
MODEL NO. GS12536A
Lawn Tractor

GARDENSTAR
Millenium 

HOW TO USE THIS MANUAL

This manual is designed to provide the customer with a means to identify the parts on his/her tractor when ordering repair parts. The illustrations may or may not represent the actual assemblies; therefore, it is not recommended to use this manual as a guide to assemble or disassemble the tractor. Some hardware and parts are drawn larger in order to more readily identify them.

Each tractor has its own model number.

The model number for your tractor can be found on the fender under the seat.

When ordering parts, always give the following information:

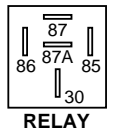
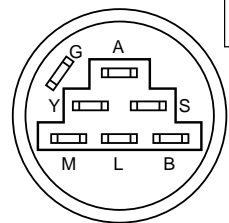
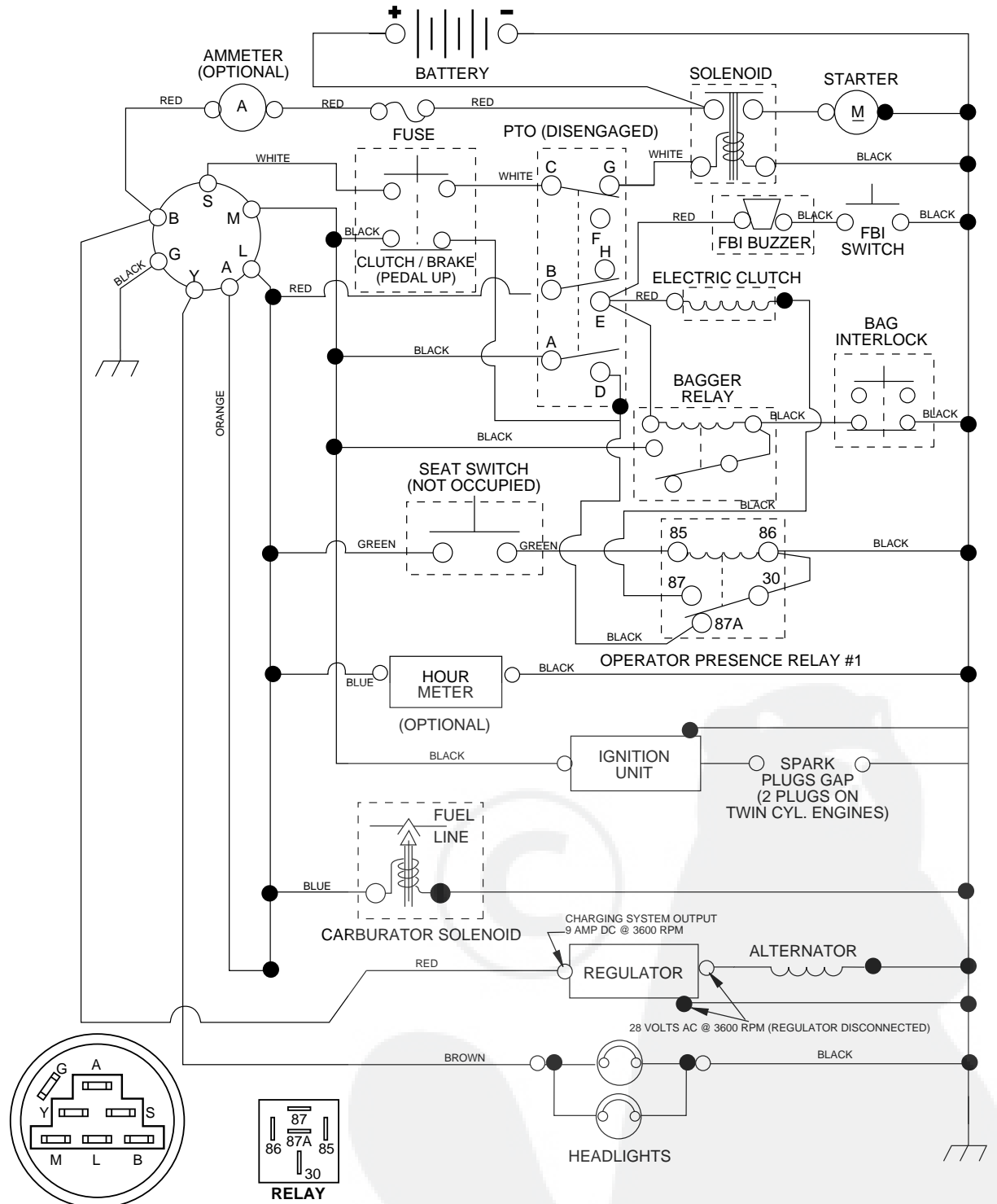
- Product - "Tractor"
- Model Number - "GS12536A"
- Part Number
- Part Description

TABLE OF CONTENTS

SCHEMATIC	3
ELECTRICAL	4-5
CHASSIS	6-7
DRIVE	8-9
STEERING	10-11
SEAT	12
DECALS	13
ENGINE	14-15
MOWER LIFT	16-17
MOWER DECK	18-19
BAGGER	20-21
WARRANTY	22-23

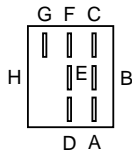
TRACTOR - - MODEL NUMBER GS12536A

SCHEMATIC



IGNITION SWITCH

POSITION	CIRCUIT	"MAKE"
OFF	G + M + L	NONE
RUN/LIGHT	B + L	A + Y
RUN	B + L	NONE
START	B + L + S	NONE



PTO SWITCH

POSITION	CIRCUIT
OFF	C + G, B + H
ON	C + F, B + E, A + D

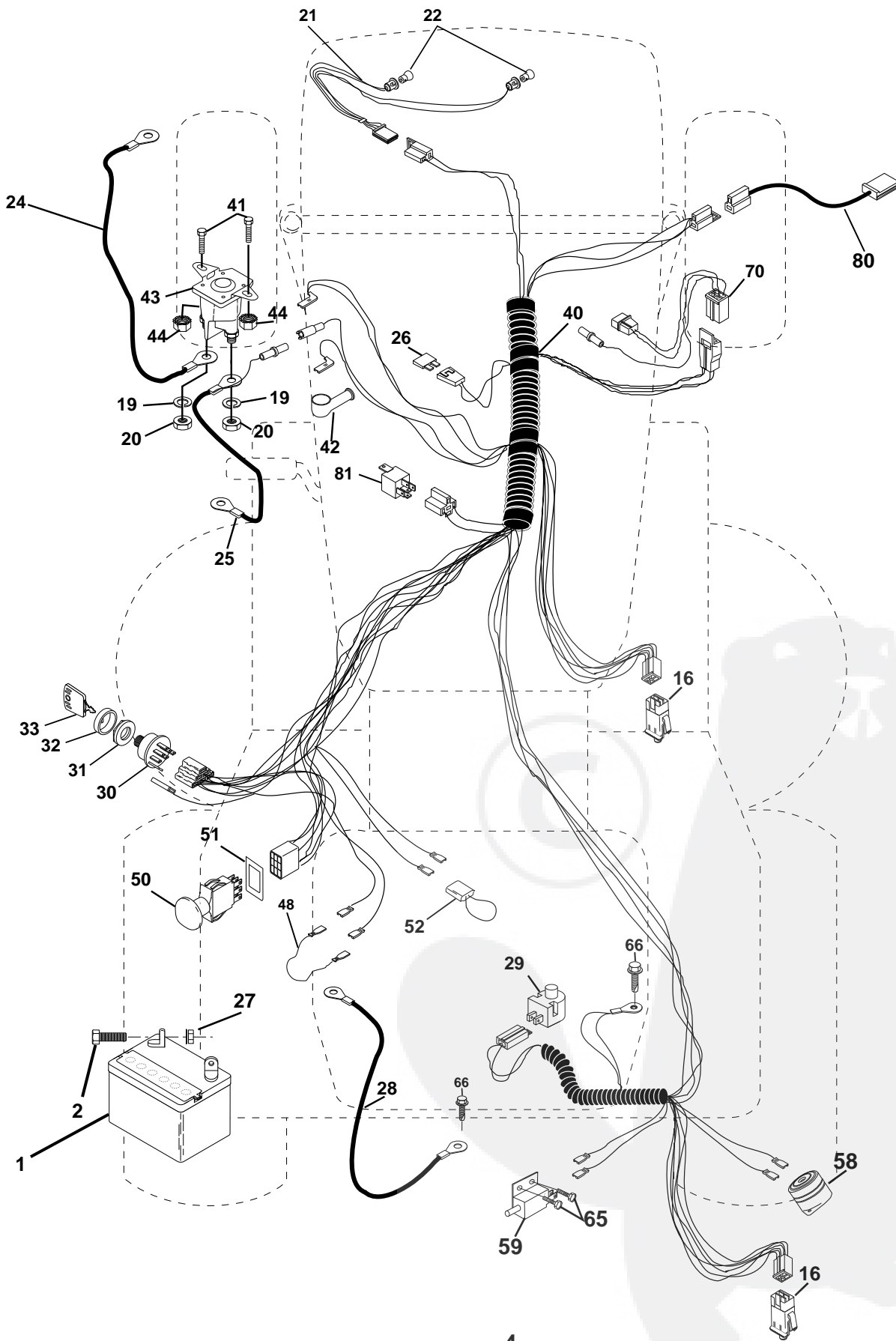


WIRING INSULATED CLIPS
NOTE: IF WIRING INSULATED CLIPS WERE REMOVED FOR SERVICING OF UNIT, THEY SHOULD BE REPLACED TO PROPERLY SECURE YOUR WIRING.

REPAIR PARTS

TRACTOR -- MODEL NUMBER GS12536A

ELECTRICAL



REPAIR PARTS

TRACTOR -- MODEL NUMBER GS12536A

ELECTRICAL

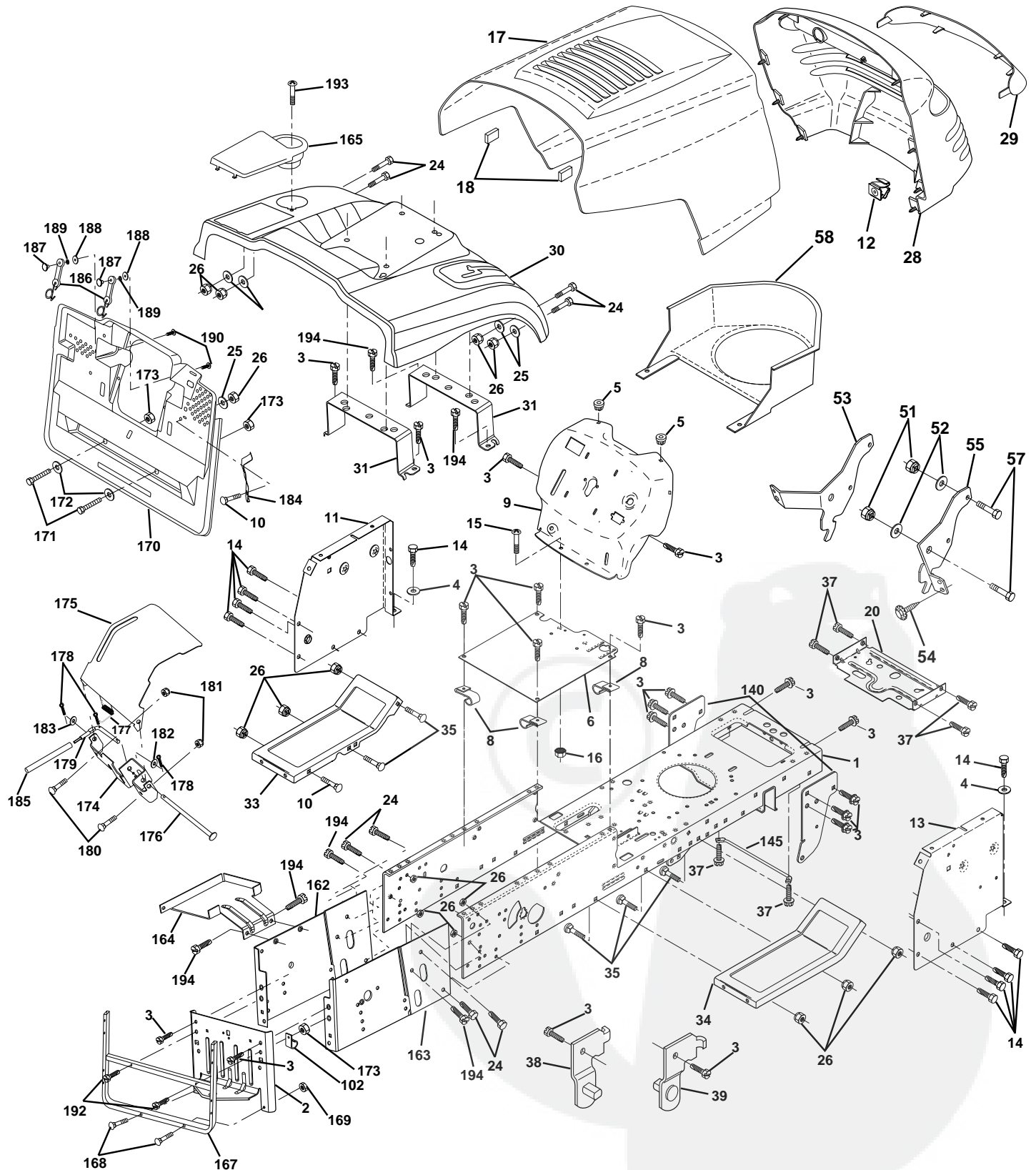
KEY NO.	PART NO.	DESCRIPTION
1	144925	Battery 12 Volt 25 AMP Wet
2	74760412	Bolt Hex Hd 1/4-20 Unc X 3/4
16	153664	Switch Interlock Push-In
19	10090400	Washer Lock 1/4
20	73350400	Nut Jam Hex 1/4-20 Unc
21	166181	Harness Asm Light W/4152J
22	4152J	Bulb Light #1156
24	4799J	Cable Starter 6Ga 11" Red
25	165987	Cable Battery Crd 56" Red
26	166180	Fuse 15 Amp
27	73510400	Nut Keps Hex 1/4-20 Unc
28	127725X	Cable Ground 6Ga 18" Black
29	160784	Switch Plunger Normal Op Olive
30	140301	Switch Ignition 4Pos W/Lights
31	124211X	Nut Ignition #125
32	141226	Cover Switch Ignition #121
33	122147X	Key Ign Molded Indak
40	166158	Harness Ign Crd Elect
41	71110408	Bolt Flk Fin Hex 1/4-20 Unc X 1/2
42	131563	Cover Terminal Red
43	145673	Solenoid
44	73640400	Nut Keps Blk Hex 1/4-20 Unc
48	140844	Adapter Ammeter
50	154963	Switch PTO 3PDT
51	140405	Ring Retainer PTO
52	141940	Protection Wire Loop
58	165943	Buzzer Crd
59	166299	Switch FBI CRD
65	17211008	Screw Slftp #10-16 x 1/2 Ty-Ab
66	17490608	Screw Thdrol 3/8-16 x 1/2 Ty-Tt
70	166668	Harness Engine B&S Reg W/AFTS0
80	146685	Harness Clutch EVX
81	109748X	Relay Asm

NOTE: All component dimensions given in U.S. inches.
1 inch = 25.4 mm.

REPAIR PARTS

TRACTOR -- MODEL NUMBER GS12536A

CHASSIS AND ENCLOSURES



REPAIR PARTS

TRACTOR - - MODEL NUMBER GS12536A

CHASSIS AND ENCLOSURES

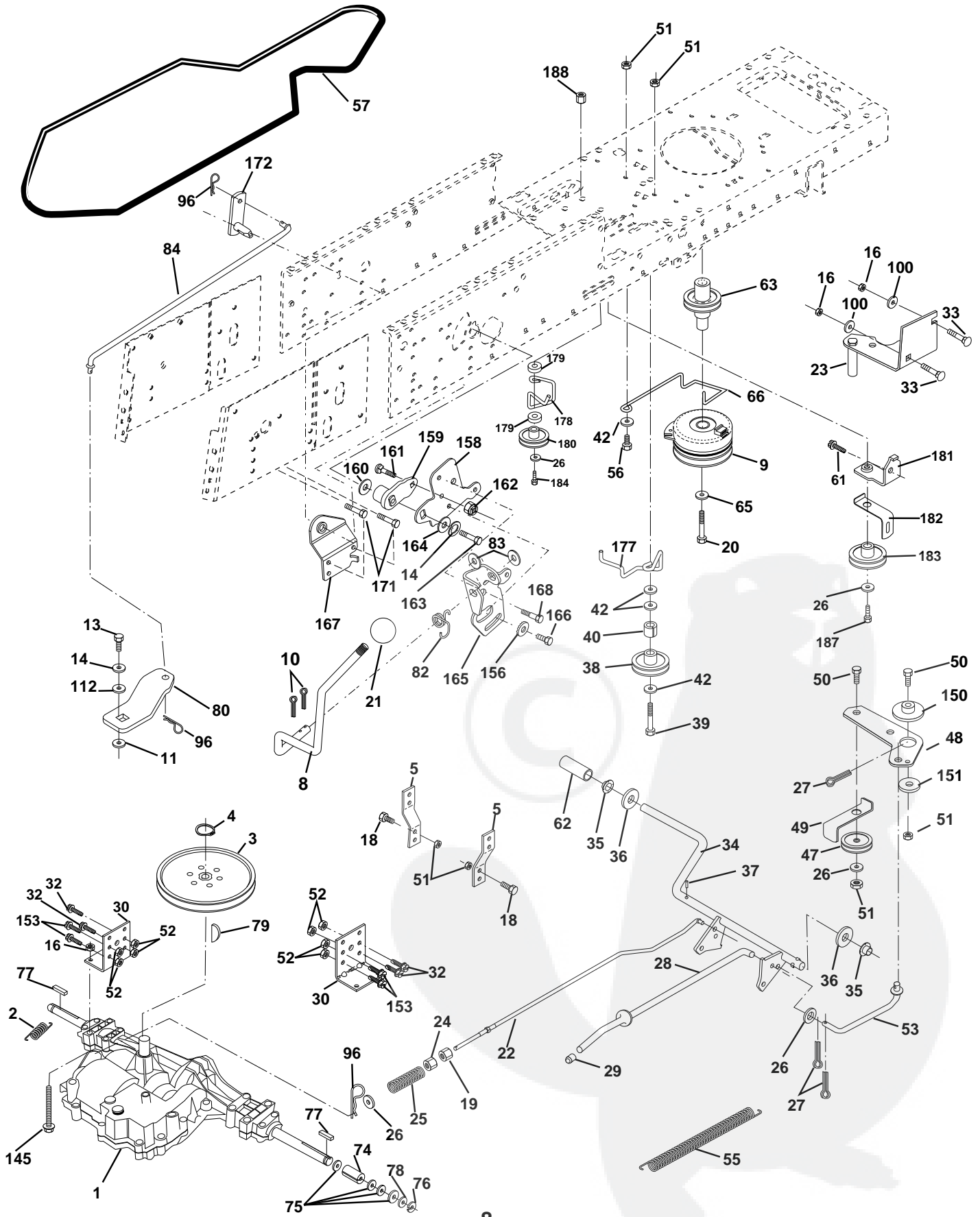
KEY NO.	PART NO.	DESCRIPTION	KEY NO.	PART NO.	DESCRIPTION
1	165480	Chassis Assembly	57	74780412	Bolt, Fin Hex 1/4-20 UNC x .75
2	165606	Drawbar	58	150127	Duct Air Engine PI/Lt
3	17490612	Screw, Thd. Roll. 3/8-16 x 3/4	102	2751R	Clip Fuel Line
4	19131216	Washer 13/32 x 3/4 x 16 Gauge	140	158418	Bracket Front Suspension
5	155272	Bumper Hood/Dash	145	156524	Rod Pivot Chassis/Hood
6	155923	Saddle	162	165672	Bracket Exten Chassis Lh CRD
8	126471X	Clip Insulator 13/32 Mtg. Hole	163	165673	Bracket Exten Chassis Rh CRD
9	147631X011	Dash	164	165605	Support Battery CRD
10	72140608	Bolt, Carriage 3/8-16 x 3/4	165	165742X428	Cover Battery CRD Lt
11	155927	Panel, Dash, L.H.	167	165779	Support Asm. Backplate WLDMNT
12	145660	Clip, Tinnerman Grille P/L	168	72050412	Bolt, RDHD SHT NK 1/4-20 x 1-1/2
13	155934X010	Panel, Asm. Dash R.H.	169	123976X	Nut, Lock 1/4 LGE FLG Gr. 5 Zinc
14	17490608	Screw Thdrol 3/8-16 x 1/2	170	165607	Cover, Backplate Plastic Black
15	74180512	Screw, Machine, Truss Head 5/16-18 UNC x 3/4	171	74520640	Bolt, Hex 3/8-16 x 2-1/2 Gr. 5
16	73510500	Nut	172	19132016	Washer 13/32 x 1-1/4 x 16 Ga.
17	159639X505	Hood Assembly	173	73510600	Nut, Keps Hex 3/8-16 UNC
18	126938X	Bumper Hood	174	165939	Bracket Switch FBI CRD
20	156437	Plate Mtg. Battery/Fuel Tank	175	166212	Guard Door Rear CRD
24	74780616	Bolt	176	128600	Pin Hinge Pivot
25	19131312	Washer 13/32 x 13/16 x 12 Gauge	177	132796	Spring Bagger Top LH Black
26	73800600	Nut	178	76020312	Pin Cotter 3/32 x 3/4 Cad
28	157373	Grille PL	179	165942	Rod Pivot FBI CRD
29	140273X599	Lens, Grille	180	74760516	Bolt Hex HD 5/16-18 UNC x 1
30	165714X505	Fender	181	73680500	Nut Crownlock 5/16-18
31	165156	Bracket, Fender Support	182	138200	Washer .385 x .625 x 11 Ga.
33	105476X505	Footrest, L.H.	183	19131316	Washer 13/32 x 13/16 x 16 Ga.
34	105475X505	Footrest, R.H.	184	166139	Bracket Actuator Bagger CRD
35	72110606	Bolt	185	165940	Tube Lever Switch FBI CRD
37	17490508	Screw Thdrol 5/16-18 x 1/2 TYT	186	160793	Latch Asm Mulch/Bagger
38	139886	Pivot Bracket Assembly, L.H.	187	2029J	Nut Weld .327/.304 # 10-24
39	139887	Pivot Bracket Assembly, R.H.	188	19061216	Washer 9/32 x 3/4 x 16 Ga.
51	73800400	Nut Lock w/Insert 1/4-20 UNC	189	10071000	Washer Lock #10
52	19091416	Washer 9/32 x 7/8 x 16 Ga.	190	71161010	Screw Truss Hd Phil 10-24 x 5/8
53	144697	Bracket, Grille LH	192	17490624	Screw Thdrol 3/8-16 x 1-1/4 TY-TT
54	161464	Screw Hex WSHD 8-18 x 7/8	193	17720410	Scrw Hex Thdrol Cut 1/2 x 20 x 5/8
55	144696	Bracket, Grille RH	194	17060612	Screw 3/8-16 x .75
			--	5479J	Plug, Button

NOTE: All component dimensions given in U.S. inches.
1 inch = 25.4 mm.

REPAIR PARTS

TRACTOR -- MODEL NUMBER GS12536A

DRIVE



REPAIR PARTS

TRACTOR - - MODEL NUMBER GS12536A

DRIVE

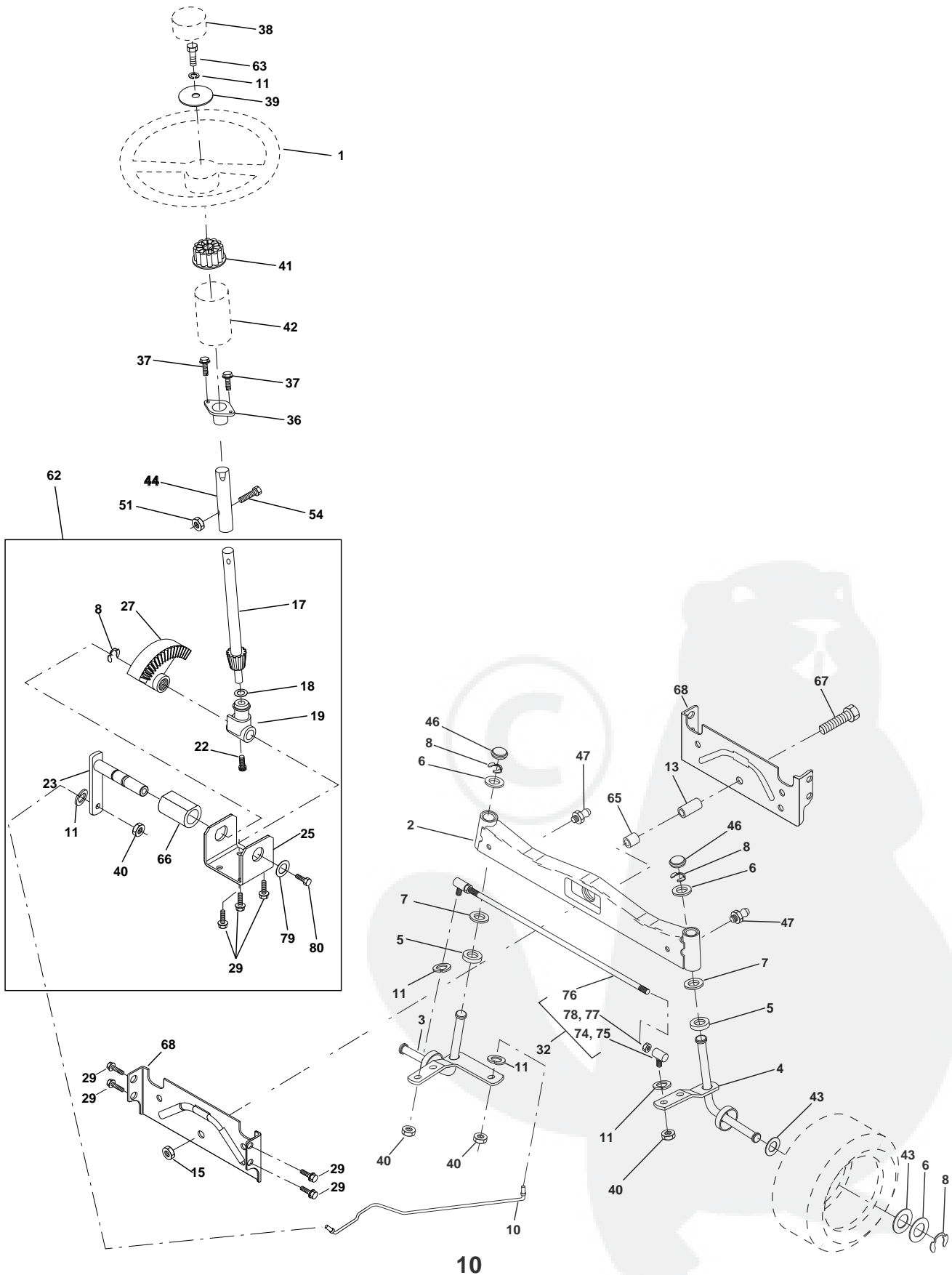
KEY NO.	PART NO.	DESCRIPTION	KEY NO.	PART NO.	DESCRIPTION
1	-----	Transaxle Peerless Model 206-546 Order parts from transaxle manufacturer	62	8883R	Cover Pedal Blk Round
2	146682	Spring Return Brake	63	145868	Pulley, Clutch Elect
3	165999	Pulley Transaxle 7"	65	10040700	Washer Lock Hvy Hlcl Spr 7/16
4	12000028	Ring Retainer # 5100-62	66	154778	Keeper Belt Engine F-Proof
5	121520X	Strap Torque 30 Degrees	74	137057	Spacer Axle
8	165619	Rod Shift Fender Adjust LT	75	121749X	Washer 25/32 X 1 1/4 X 16 Ga
9	167162	Clutch Ele EVX 80 W/Hard Brake	76	12000001	E-ring #5133-75
10	76020416	Pin Cotter 1/8 X 1 Cad	77	123583X	Key Square 2.0 X .1845/ .1865
11	105701X	Washer Plate Shf 388 Sq Hole	78	121748X	Washer 25/32 X 1-5/8 X 16 Ga
13	74550412	Bolt 1/4-28 Unf Gr 8 W/Patch	79	2228M	Key Woodruff #9 3/16 x 3/4
14	10040400	Washer Lock Hvy Helical 1/4	80	145090	Arm Shift Pmst 20" Tires
16	73800500	Nut Lock Hex w/Ins 5/16-18 Unc Pl	82	123782X	Spring, Torsion T/A
18	74780616	Bolt, Fin Hex 3/8-16 x 1 Gr. 5	83	19171216	Washer 17/32 x 3/4 x 16 Ga.
19	73800600	Nut Lock 3/8-16 Unc	84	165621	Link Shift CRD PMST 20"
20	150280	Bolt, Hex 7/16-20 x 4-1/4 5 Ga 1.38	96	4497H	Retainer Spring 1" Zinc/Cad
21	106933X	Knob Rd 1/2-13 Plstc. Thds Black	100	19111216	Washer 11/32 x 3/4 x 16 Ga.
22	165811	Rod Brake PMST CRD	112	19091210	Washer 9/32 x 3/4 x 10 Ga.
23	154978	Bracket Asm Clutch Mtg. EVX 97	145	74490540	Bolt Hex Flghd 5/16-18 x Gr. 5
24	73350600	Nut Hex Jam 3/8-16 Unc	150	165850	Bushing Bellcrank Grd Drive
25	106888X	Spring Rod Brake 2.00 Zinc	151	19133210	Washer 13/32 x 2 x 10 Ga.
26	19131316	Washer 13/32 X 13/16 X 16 Ga	153	74760516	Bolt Hex Hd 5/16-18unc x 1
27	76020412	Pin Cotter 1/8 X 3/4 Cad	156	166002	Washer Srrtd 5/16 ID x 1.0 x .125 Tk
28	145204	Rod Brake Parking LT/YT	158	165589	Bracket Shift Mount
29	71673	Cap Brake Parking	159	165494	Hub Tapered Flange Shift Lt
30	130807	Bracket Mtg Transaxle	160	19292016	Washer 29/32 x 1-1/4 x 16 Ga.
32	74760512	Bolt Hex Hd 5/16-18unc X 3/4	161	72140406	Bolt Rdhd Sqnk 1/4-20 x 3/4 Gr 5
33	72140506	Bolt Rdhd Sqnk 5/16-18 Unc x 3/4	162	73680400	Nut Crownlock 1/4-20 Unc
34	165496	Shaft Asm Pedal Foot Crd	163	74780416	Bolt Hex Fin 1/4-20 Unc x 1 Gr 5
35	120183X	Bearing Nylon Blk 629 Id	164	19091010	Washer 5/8 x .281 x 10 Ga.
36	19211616	Washer 21/32 X 1 X 16 Ga	165	165623	Bracket Pivot Lever
37	1572H	Pin Roll 3/16 X 1"	166	166880	Screw 5/16-18 x 5/8 Tt Yellow
38	165936	Pulley Flat Composite 3.06"	167	165588	Bracket Support Shift CRD
39	74760644	Bolt Fin Hex 3/8-16unc X 2-3/4	168	165492	Bolt Shoulder 5/16-18 x .561 Tt
40	4470J	Spacer Split .395 X .59 Bzp	171	17490608	Screw Thdrol 3/8-16 x 1/2 Ty-Tt
42	19131312	Washer 13/32 X 13/16 X 12 Ga	172	165635	Shaft Asm. Shift Front Crd Pmst
47	127783	Pulley Idler V Groove Plastic	177	165932	Keeper Flat Idler 3.06" Crd
48	154407	Bellcrank Clutch Grnd Drive	178	165933	Keeper Belt Idler 1.88" CRD
49	123205X	Retainer Belt Style Spring	179	120958X	Washer Sintered
50	74760624	Bolt Hex Hd 3/8-16unc X 1-1/2	180	165630	Pulley Flat Idler 1.88" CRD
51	73680600	Nut Crownlock 3/8-16 Unc	181	165797	Bracket Idler Ground Drive CRD
52	73680500	Nut Crownlock 5/16-18	182	165634	Keeper Belt 2.5" Od V-Idler CRD
53	105710X	Link Clutch 7.66	183	165626	Pulley V-Idler 2.50" Od CRD
55	105709X	Spring Return Clutch 6.75	184	17490644	Screw Hex Wsh Thdrol. 3/8-16 x 2-3/4
56	74760620	Bolt Fin Hex 3/8-16unc X 1-1/4	187	17490620	Scrw Thdrol 3/8-16 x 1-1/2 Ty-Tt
57	165631	V-Belt Kev 111" Pmst Crd	188	110436X	Bushing Snap Split Blk
61	17490612	Screw Thdrol 3/8-16 x 3/4 Ty-Tt			

NOTE: All component dimensions given in U.S. inches
1 inch = 25.4 mm

REPAIR PARTS

TRACTOR - - MODEL NUMBER GS12536A

STEERING ASSEMBLY



REPAIR PARTS

TRACTOR - - MODEL NUMBER GS12536A

STEERING ASSEMBLY

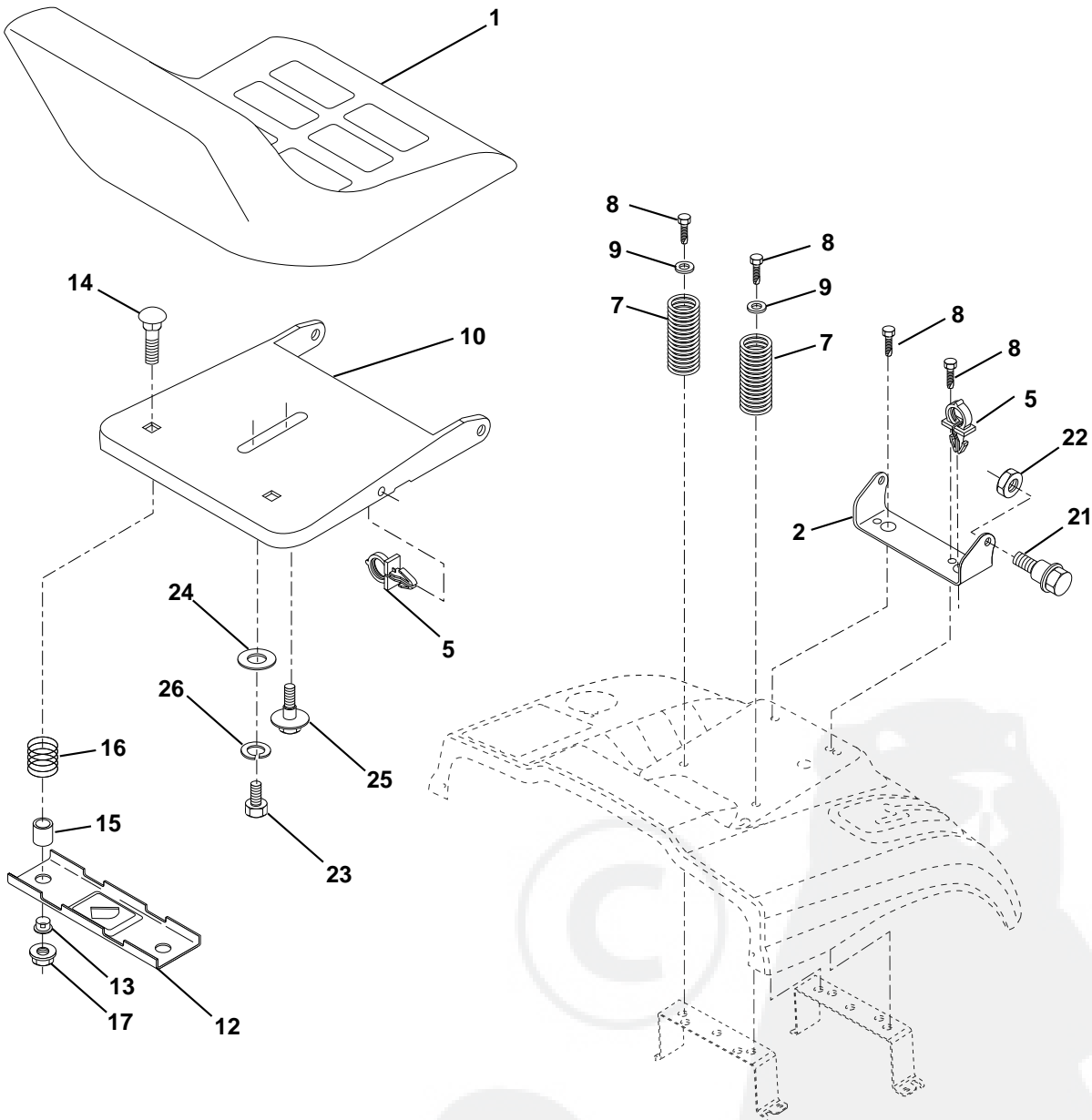
KEY NO.	PART NO.	DESCRIPTION
1	139768	Steering Wheel
2	137094	Front Axle Assembly
3	157479	Spindle Assembly, L.H.
4	157478	Spindle Assembly, R.H.
5	6266H	Bearing, Race, Thrust, Hardened
6	121748X	Washer 25/32 x 1-5/8 x 16 Gauge
7	19272016	Washer 27/32 x 1-1/4 x 16 Gauge
8	12000029	Ring, Klip
10	154432	Link, Drag
11	10040600	Washer, Lock
13	167118	Spacer Axle
15	73901000	Nut, Lock, Flange 5/8-11 UNC
17	156546	Shaft Assembly, Steering
18	57079	Washer, Thrust .515 x .750 x .033
19	160395	Support, Shaft
22	165857	Screw Hex Wshhd Torx
23	165851	Pittman Shaft Assembly
25	154406	Bracket, Steering
27	136874	Gear, Sector
29	17490612	Screw, Thd., Roll. 3/8-16 x 3/4
32	137347	Rod, Tie
36	155099	Bushing, Steering
37	152927	Screw TT #10-32 x 5 x 3/8 Flange
38	140175	Cap Wheel Steering
39	19133808	Washer 13/32 x 2-3/8 x 8 Gauge
40	7810H	Nut Lock Center 3/8-24 Unf
41	100711L	Adaptor, Steering Wheel
42	145054	Boot, Steering Dash P/L Mtl
43	121749X	Washer 25/32 x 1-1/4 x 16 Gauge
44	153720	Extension Steering Non-Adjust
46	121232X	Cap, Spindle
47	6855M	Fitting, Grease
51	73800500	Nut Lock Hx W/Ins 5/16-18 UNC
54	74780520	Bolt Fin Hex 5/16-18 UNC x 1-1/4
62	167902	Kit, Steering Assembly, Service
63	74780616	Bolt Fin Hex 3/8-16 unc. x 1 Gr. 5
65	154780	Spacer Axle
66	154404	Bearing Arm Pittman
67	74781044	Bolt Fin Hex 5/8-11unc x 2-3/4
68	154429	Brace Axle
74	109850X	Joint Asm Ball Rh Service
75	109851X	Joint Asm Ball Lh Service
76	137156	Rod Tie Ball J Adj. VGT Service
77	73700600	Nut Hex Jam 3/8-24 Unf Lh
78	73360600	Nut Hex Jam 3/8-24
79	19132012	Washer 13/32 x 1-1/4 x 12 Ga
80	74950612	Bolt Hex Nylon 3/8-16 x 3/4

NOTE: All component dimensions given in U.S. inches.
1 inch = 25.4 mm.

REPAIR PARTS

TRACTOR - - MODEL NUMBER GS12536A

SEAT ASSEMBLY



KEY NO.	PART NO.	DESCRIPTION
1	140116	Seat
2	140551	Bracket Pnt Pivot Seat (blk)
5	145006	Clip Push In Hinged
7	124181X	Spring Seat Cprsn 2 250 Blk Zi
8	17490616	Screw Thdrol 3/8-16 X 1 Ty-tt
9	19131614	Washer 13/32 X 1 X 14 Ga
10	155925	Pan Pnt Seat (blk)
12	121246X	Bracket Pnt Mounting Switch
13	121248X	Bushing Snap Blk Nyl 50 Id
14	72050412	Bolt Rdhd Sht Nk 1/4-20x1-1/2

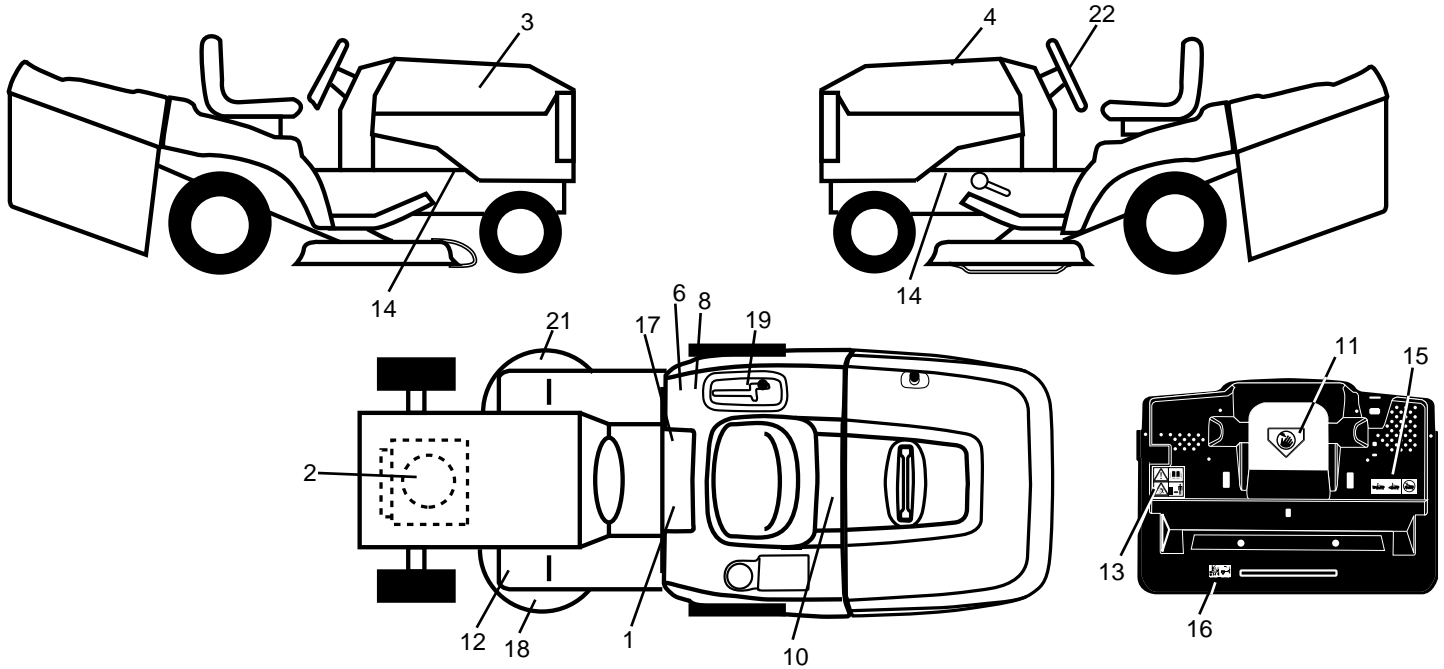
KEY NO.	PART NO.	DESCRIPTION
15	134300	Spacer Split .28 X .96 Zinc
16	121250X	Spring Cprsn 1.27
17	123976X	Nut Lock 1/4 Lge Flg Gr 5 Zinc
21	153236	Bolt Shoulder 5/16-18 Unc-2A
22	73800500	Nut Hex Lock w/Ins 5/16-18
23	74780814	Bolt Fin Hex 1/2-13 x 7/8 Gr. 5
24	19171912	Washer 17/32 X 1-3/16 X 12 Ga.
25	127018X	Bolt Shoulder 5/16-18 X 62
26	10040800	Washer Lock 1/2

NOTE: All component dimensions given in U.S. inches.
1 inch = 25.4 mm

REPAIR PARTS

TRACTOR -- MODEL NUMBER GS12536A

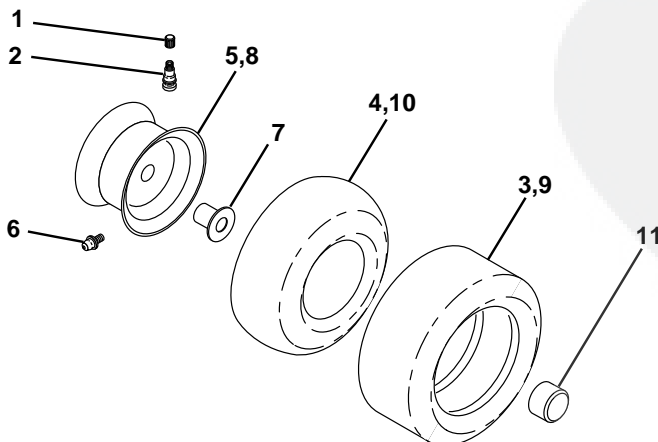
DECALS



KEY NO.	PART NO.	DESCRIPTION
1	145498	Decal Read Owner's Manual Sym
2	168409	Decal Hp Engine
3	167173	Decal Hood Rh
4	167174	Decal Hood Lh
6	126187X	Decal 100 DBA
8	145437	Decal Europe Stand Ce
10	145005	Decal Bat Dan/Poi P/L Sym Wpn
11	145494	Decal Mower Cut Finger Symbol
12	159737	Decal Brake/Clutch Symbol Lt
13	166959	Decal Warn Back Plate CRD
14	159736	Decal Chassis Hot Muffler
15	166961	Decal Oper Bag Presence CRD
16	162598	Decal Drawbar Load Limit

KEY NO.	PART NO.	DESCRIPTION
17	140837	Decal Saddle Brake Parking
18	134999	Decal Deck Enviro
19	166963	Decal Console Hydro CRD White
21	166286	Decal Deck Sch 92 CRD
22	167172	Decal Strg Whl
--	138311	Decal Lift Handle
--	167296	Manual Operator's (Euro)
--	167297	Manual Parts

WHEELS & TIRES



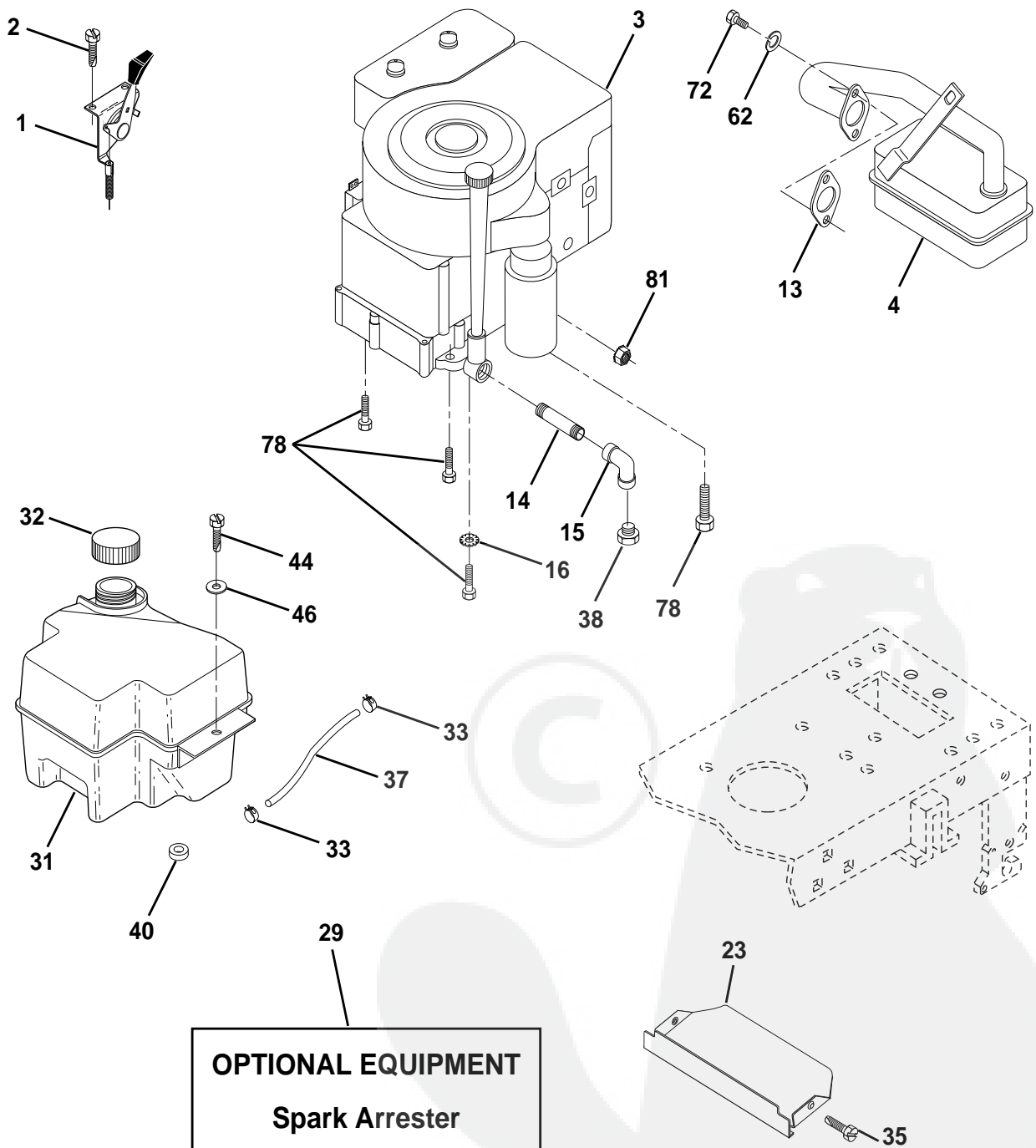
KEY NO.	PART NO.	DESCRIPTION
1	59192	Cap Value Tire
2	65139	Stem Value
3	106222X	Tire F Ts 15 X 6 0 - 6 Service
4	59904	Tube Inner Front #35060
5	106732X427	Rim Asm 6" front Service
6	278H	Fitting Grease
7	9040H	Bearing Flange
8	106108X427	Rim Asm 8" rear Service
9	124635X	Tire R Ts 18 x 8.5-8 Service
10	7152J	Tube Rear 9 5 X 8 Service
11	104757X	Cap Axle Blk 1 50 X 1 00
--	144334	Sealant, Tire (10 oz. tube)

NOTE: All component dimensions given in U.S. inches
1 inch = 25.4 mm

REPAIR PARTS

TRACTOR - - MODEL NUMBER GS12536A

ENGINE



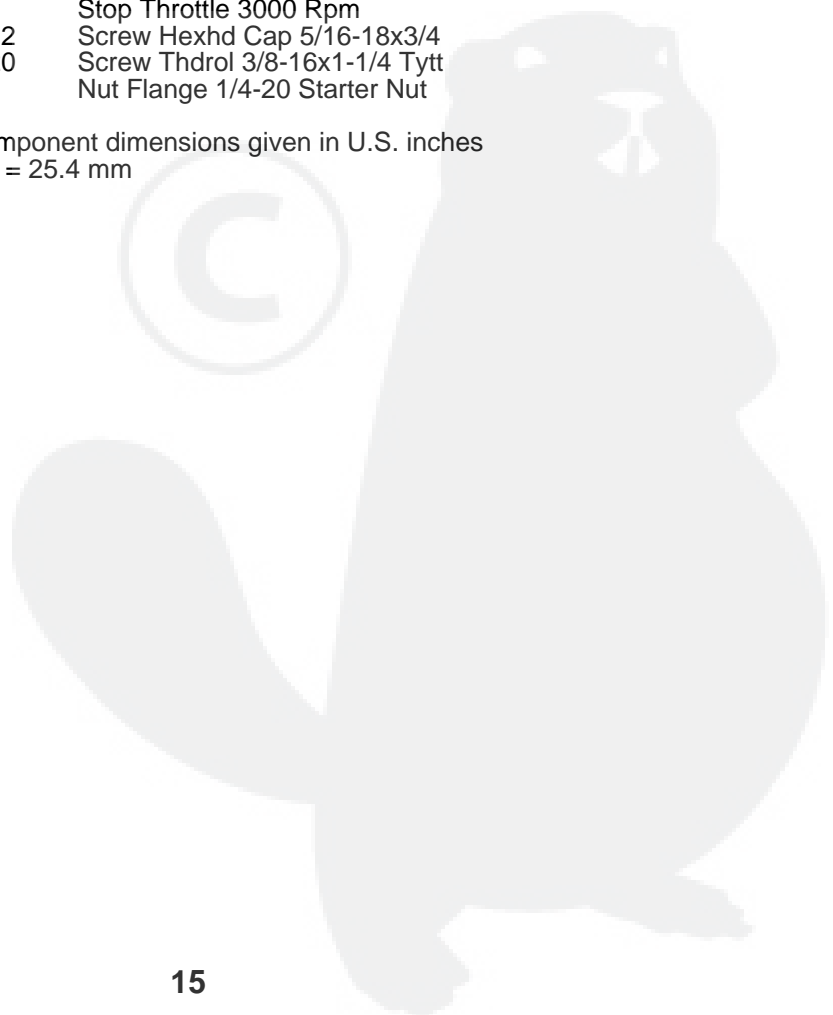
REPAIR PARTS

TRACTOR - - MODEL NUMBER GS12536A

ENGINE

KEY NO.	PART NO.	DESCRIPTION
1	141359	Control Throt /Ch Lh
2	17720410	Screw Hex Thd Cut 1/4-20x5/8 T
3	-----	Engine Briggs Model 287707 Order Parts from Engine Manufacturer
4	137352	Muffler Exhaust B&S Lt
13	165291	Gasket 1 313 Id Tin Plated
14	13280324	Nipple Pipe 3/8 Npt X 3"
15	13200300	Elbow Std 90 Degree 3/8-18 Npt
16	11050600	Washer Lock Ext Tooth 3/8
23	159880	Shield Browning/Debris Guard
29	137180	Arrestor Spark
31	161911	Tank Fuel 2.00 Fr
32	140527	Cap Asm Fule Top Vent N/Lany
33	123487X	Clamp Hose Blk
35	17490512	Screw, Thdrol 5/16-18 x 3/4 Tyt
37	137040	Line Fuel 20"
38	-----	Plug Oil Drain (Order From Engine Manufacturer)
44	17490412	Screw Hexwsh Thdrol 1/4-20x3/4
46	19091416	Washer 9/32 X 7/8 X 16ga
62	10040500	Washer Lock Hvy Hlcl Spr 5/16
66	127951	Stop Throttle 3000 Rpm
72	71070512	Screw Hexhd Cap 5/16-18x3/4
78	17490620	Screw Thdrol 3/8-16x1-1/4 Tytt
81	128861	Nut Flange 1/4-20 Starter Nut

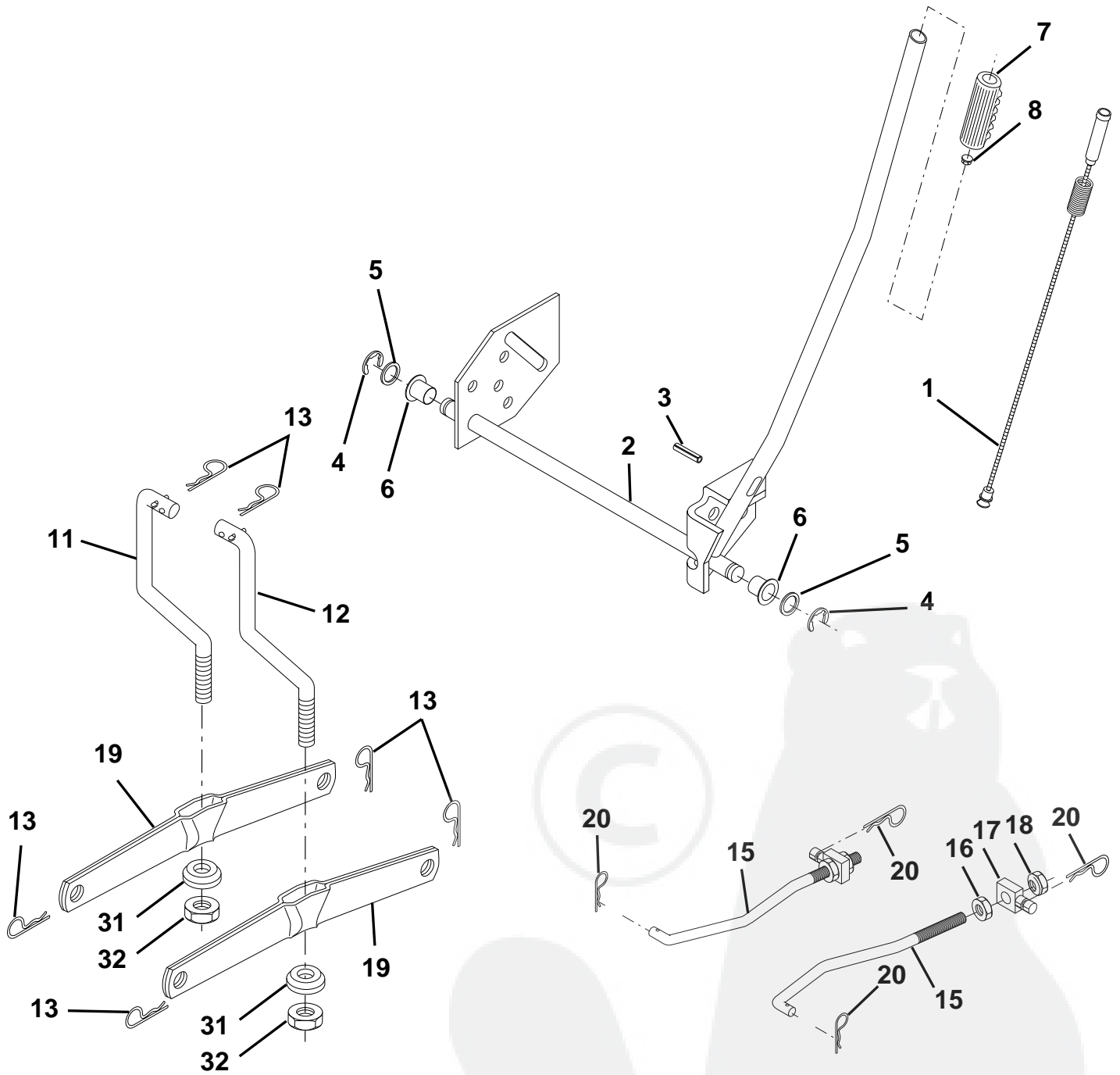
NOTE: All component dimensions given in U.S. inches
1 inch = 25.4 mm



REPAIR PARTS

TRACTOR -- MODEL NUMBER GS12536A

MOWER LIFT



REPAIR PARTS

TRACTOR - - MODEL NUMBER GS12536A

MOWER LIFT

KEY NO.	PART NO.	DESCRIPTION
1	159460	Washer Asm Inner Spring W/Plunger
2	159471	Shaft Asm. Lift
3	105767X	Pin Groove
4	12000002	E Ring #5133-62
5	19211621	Washer 21/32 x 1 x 21 Ga.
6	120183X	Bearing Nylon
7	109413X	Grip Handle
8	124526X	Button Plunger Black
11	165829	Link Asm Lift L.H.
12	165831	Link Asm Lift R.H.
13	4939M	Retainer Spring
15	127218	Link Front
16	73350800	Nut Jam Hex 1/2-13 Unc
17	130171	Trunnion Blk Zinc
18	73680800	Nut Crownlock 1/2-13 Unc
19	139868	Arm Suspension Mower
20	163552	Retainer Spring
31	140302	Bearing, Pvt. Lift. Spherical
32	73540600	Nut Crownlock 3/8-24

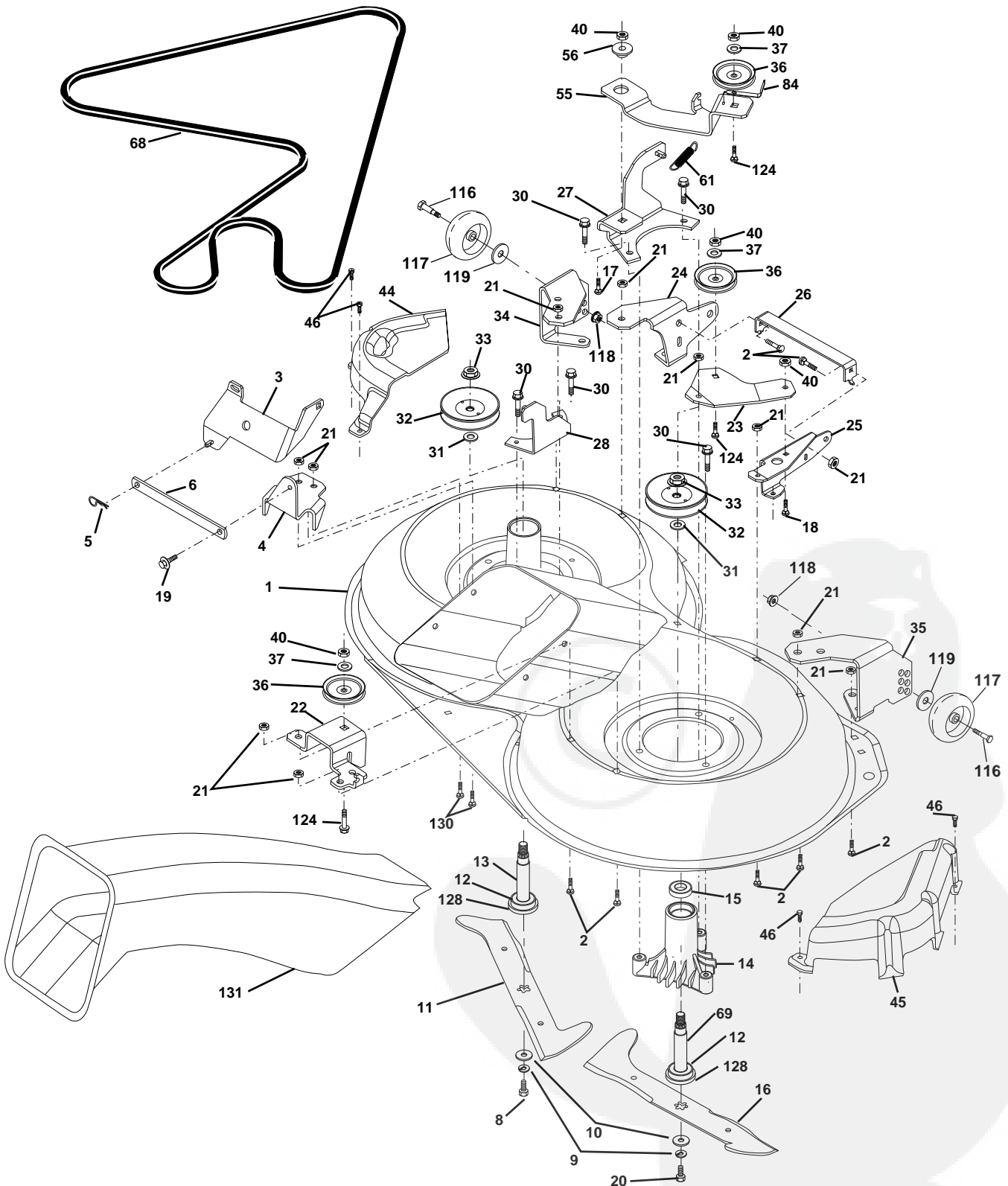
NOTE: All component dimensions given in U.S. inches
1 inch = 25.4 mm



REPAIR PARTS

TRACTOR - - MODEL NUMBER GS12536A

MOWER



REPAIR PARTS

TRACTOR - - MODEL NUMBER GS12536A

MOWER

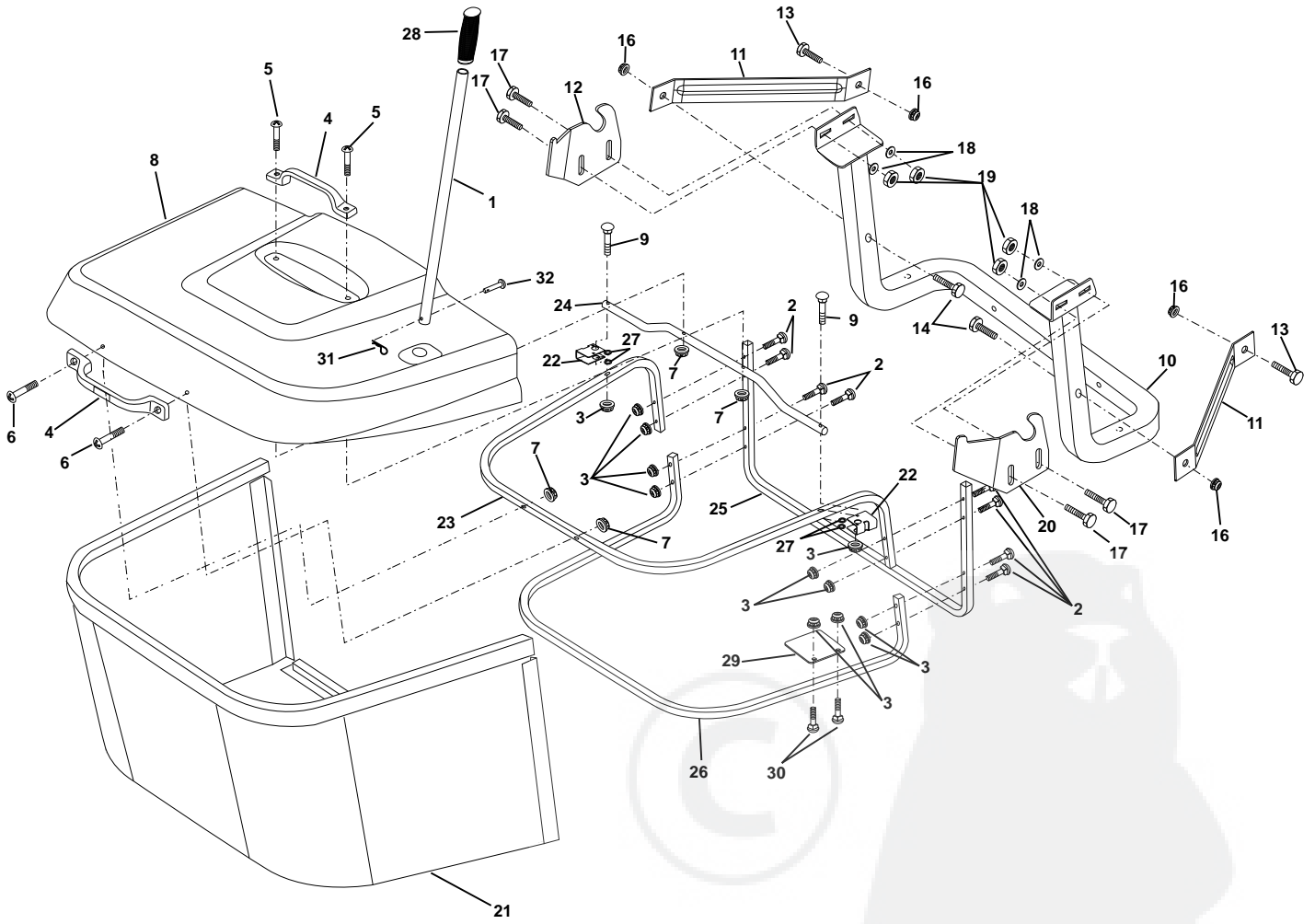
KEY NO.	PART NO.	DESCRIPTION	KEY NO.	PART NO.	DESCRIPTION
1	165552	Housing Asm. Mower 92 CRD	33	137266	Nut Flg Top Lock Cntr B 9/16
2	72140506	Bolt Rdhd Sqnk 5/16-18 Unc x 3/4	34	165239	Bracket Gauge Wheel Lf 92 CRD
3	165569	Bracket Asm. S-Bar Chass 92 CRD	35	165238	Bracket Gauge Wheel Rf 92 CRD
4	165558	Bracket Bar Sway Deck 92 CRD	36	146763	Pulley Idler V-Groove Dim 4.25
5	4939M	Retainer Spring	37	19131316	Washer 11/32 x 13/16 x 16 Ga
6	165557	Bar Sway 92 CRD	40	73680600	Nut Crownlock 3/8-16 Unc
8	850857	Bolt 3/8-24 x 1.25 Gr8 Patched	44	165724	Cover Mandrel Lh 92 CRD
9	10030600	Washer Lock Hvy 3/8 Unplated	45	165556	Cover Mandrel Rh 92 CRD
10	140296	Washer Hard Blade Mower vented	46	137729	Screw Thd Roll 1/4-20 x 5/8
11	165560	Blade 3-1 Lh 92 CRD	55	165445	Arm Idler 92 CRD
12	129895	Bearing Ball #6204 (Mandrel)	56	122052X	Spacer Retainer PM Mower
13	137645	Shaft Asm. W/Lower Bearing	61	165945	Spring Tension Belt
14	128774	Housing Mandrel Vented (Machd)	68	165555	Hex-Belt 92 Mower 105AA
15	110485X	Bearing Ball Mandrel	69	165482	Shaft Asm W/Lwr Brg Rh Thd CRD
16	165561	Blade 3-1 Rh 92 CRD	84	156085	Keeper Belt Idler
17	72140610	Bolt Carriage 3/8-16 x 1-1/4	116	137644	Bolt Shoulder
18	72110608	Bolt Rdhd Sqnk 3/8-16 x 1 Gr5	117	133957	Wheel Gage Donut Wide
19	132827	Bolt Shoulder 5/16-18 Thd Form	118	73930600	Nut Centerlock 3/8-16 Unc
20	165484	Bolt 3/8-24 x 1.25 Gr8 Ptch Lhthd	119	19121414	Washer 3/8 x 7/8 x 14 Ga.
21	73680500	Nut Crown Lock 5/16-18	124	72110612	Bolt Carr Sh 3/8-16 x 1-1/2 Gr5
22	165243	Bracket Idler Sprt RR 92 CRD	128	153390	Washer Felt
23	165446	Bracket Idler Sprt RF 92 CRD	130	72110506	Bolt Rdhdsqnk 5/16-18 Unc x 3/4
24	165242	Bracket Suspension LF 92 CRD	131	165661	Chute Bagger CRD 92cm
25	165244	Bracket Suspension RF 92 CRD	--	130794	Mandrel Asm Service
26	165237	Brace Support Susp Frt CRD	--	165579	Mandrel Asm CRD Lh Threads SVC
27	165568	Bracket Asm. Susp RR 92 CRD	--	165578	Deck Mower Complete
28	165567	Bracket Asm. Susp LR 92 CRD			
30	157722	Screw Thd Rolling Washer Head			
31	129963	Washer Spacer Mower Vented			
32	153531	Mandrel Pulleys 36 & 46			

NOTE: All component dimensions given in U.S. inches
1 inch = 25.4 mm

REPAIR PARTS

TRACTOR - - MODEL NUMBER GS12536A

BAGGER



REPAIR PARTS

TRACTOR - - MODEL NUMBER GS12536A

BAGGER

KEY NO.	PART NO.	DESCRIPTION
1	165249	Tube Handle Bagger CRD
2	72140416	Bolt Carriage 1/4-20 x 2.0 Gr.5
3	123976X	Nut Lock 1/4 Lge Flg Gr. 5 Zinc
4	165693	Handle Grab Plastic Black
5	74981024	Screw Pan Head #10-24 x 1.50 Blk
6	74981032	Screw Pan Hd
7	73401000	Nut Wiz Lock Hex Serr/Hd 10-24
8	165715X505	Cover Bagger Plastic CRD MS422
9	72140418	Bolt Carriage 1/4-20 x 2.25d x Gr.5
10	165716	Support AsmWldmnt Bagger CRD
11	165719	Bracket Support Upper Bag CRD
12	165735	Bracket Pivot Bagger Lh CRD
13	72110606	Bolt Rdhd Sht Sqnk 3/8-16 x 3/4
14	74520640	Bolt Hex 3/8-16 x 2-1/2 Gr.5
16	73900600	Nut Lock Flg 3/8-16 Unc
17	72140506	Bolt Rdhd Sht Sqnk 5/16 -18 Unc x 3/4
18	19112016	Washer 11/32 x 1.25 x 16 Ga.
19	73800500	Nut Lock Hex W/Ins 5/16-18 Unc PI
20	165736	Bracket Pivot Bagger RH CRD
21	165780	Bag Asm CRD
22	165781	Bracket Side Bagger CRD
23	165782	Tube Upper Bagger CRD
24	165783	Tube Pivot Bagger CRD
25	165784	Tube Front Bagger CRD
26	165785	Tube Lower Bagger CRD
27	165786	Grommet Extruded Cut1/8
28	165787	Grip Handle Black
29	165839	Plate Stop Bagger handle CRD
30	72140410	Bolt Carriage 1/4-20 x 1 Gr.5
31	4497H	Retainer Spring 1" Zinc/Cad
32	126875X	Rivet Rd Hd Drilled 3/8 Dia

NOTE: All component dimensions given in U.S. inches
1 inch = 25.4 mm



SERVICE POLICY WARRANTY



Issued January 1980
Revised January 1991

LIMITED WARRANTIES FOR NEW PEERLESS GEAR POWER TRAIN COMPONENTS

A. Products Warranted

Peerless Gear and Machine Division of Tecumseh Products Company ("Tecumseh"), subject to the limitations contained below, will, at its option, repair or replace, without charge for parts or labor only, any part of a new Power Train Component (which as used herein means and includes the transaxle, gear box, transmission, differential and right angle drives, and any part of the Power Train Component), EXCEPT any new Power Train Component incorporated in equipment used for commercial or rental purposes, which is found upon examination by any Tecumseh Authorized Service Outlet or by Tecumseh's factory in Grafton, Wisconsin, to be DEFECTIVE IN MATERIAL AND/OR WORKMANSHIP if received by Tecumseh or a Tecumseh Authorized Service Outlet for such examination within TWO YEARS from the date of sale to the original consumer purchaser of Peerless Series 820, 900, 910, 915, 920, 930 transaxles and Series 1100 angle drive and ONE YEAR for all other Peerless products. New Power Train Components incorporated in equipment used for commercial purposes are warranted in the same manner and to the same extent EXCEPT such Power Train Components are warranted for NINETY (90) DAYS ONLY, and must be received by Tecumseh or by a Tecumseh Authorized Service Outlet for such examination within 90 days from the date of sale to the original purchaser. New Power Train Components Incorporated in equipment used for rental purposes are warranted in the same manner and to the same extent EXCEPT such Power Train Components are warranted for THIRTY (30) DAYS ONLY, and must be received by Tecumseh or a Tecumseh Authorized Service Outlet within 30 days from the date of sale to the original purchaser.

B. Products And Items Not Warranted

1. Alterations or Modifications of Power Train Components.
2. Accidents, Normal Maintenance, Failure to follow the Original Equipment Manufacturer's Manual.

This warranty covers only parts of new Power Train Components which are found upon examination to be defective in material or workmanship as delivered to the original purchaser. This warranty does not cover defects caused by depreciation or damage caused by normal wear, accidents, improper maintenance, improper use or abuse of the product, failure to follow the instructions contained in an Instruction Manual for the operation of the Power Train Component and parts. The cost of normal maintenance and replacement of service items which are not defective shall be paid for by the original purchaser.

C. Securing Warranty Service

Warranty service can be arranged for by contacting either a Tecumseh Authorized Service Outlet (any Tecumseh Registered Service Dealer, Tecumseh Authorized Service Distributor, or Tecumseh Central Warehouse Distributor) or by contacting Tecumseh, c/o Service Manager, Engine and Transmission Group Service Division, 900 North Street, Grafton, Wisconsin 53024. Warranty service can only be performed by a Tecumseh Authorized Service Outlet or by Tecumseh at its factory in Grafton, Wisconsin. At the time of requesting warranty service, evidence must be presented of the date of sale to the original purchaser. The purchaser shall pay any charges for making service calls and/or for transporting the product to and from the place where the inspection and/or warranty work is performed. The purchaser shall be responsible for any damage or loss incurred in connection with the transportation of Power Train Components and/or part(s) of the Power Train Components submitted for inspection and/or warranty work.

D. Limitation of Damages and Implied Warranties

The foregoing EXPRESSED WARRANTY IS IN LIEU OF ALL OTHER EXPRESS WARRANTIES. Neither Tecumseh nor any of its affiliates makes any warranties, representations or promises, written or oral, as to the quality of the Power Train Component or any of its parts, other than as set forth herein.

ANY IMPLIED WARRANTY OF MERCHANTABILITY OR FITNESS FOR A PARTICULAR PURPOSE, TO THE EXTENT THAT EITHER MAY APPLY TO ANY PART(S) OF POWER TRAIN COMPONENTS, SHALL BE LIMITED IN DURATION TO THE PERIODS OF THE EXPRESSED WARRANTIES DEFINED IN PARAGRAPH A HEREOF. IN NO EVENT WILL TECUMSEH BE LIABLE FOR ANY INCIDENTAL, CONSEQUENTIAL OR SPECIAL DAMAGES AND/OR EXPENSES. Some states do not allow limitations on how long an implied warranty lasts or the exclusion or limitation of incidental or consequential damages, so the above limitation(s) or exclusion(s) may not apply to you. This warranty gives you specific legal rights and you may also have other legal rights which vary from state to state.

E. No Dealer Warranty

Tecumseh neither assumes nor authorizes any other person, natural or corporate, to assume for Tecumseh any other obligations or liabilities in connection with or with respect to any part(s) of a Power Train Component. The seller or dealer of part(s) of a Power Train Component has no authority, whatsoever, to make any representations or promises on behalf of Tecumseh or to modify the terms or limitations of Tecumseh's warranty in any way.

LIMITED WARRANTY

The Manufacturer warrants to the original consumer purchaser that this product as manufactured is free from defects in materials and workmanship. For a period of one (1) year from date of purchase by the original consumer purchaser, we will repair or replace, at our option, without charge for parts or labor incurred in replacing parts, any part which we find to be defective due to materials or workmanship. This Warranty is subject to the following limitations and exclusions.

1. This warranty does not apply to the engine. Please contact your nearest dealer where they will send the machine to the engine manufacturer.
2. Transportation charges for the movement of any power equipment unit or attachment are the responsibility of the purchaser. Transportation charges for any parts submitted for replacement under this warranty must be paid by the purchaser unless such return is requested by your dealer.
3. Battery Warranty: On products equipped with a Battery, we will replace, without charge to you, any battery which we find to be defective in manufacture, during the first ninety (90) days of ownership. After ninety (90) days, we will exchange the Battery, charging you 1/12 of the price of a new Battery for each full month from the date of the original sale. Battery must be maintained in accordance with the instructions furnished.
4. The Warranty period for any products used for rental or commercial purposes is limited to 90 days from the date of original purchase.
5. This Warranty applies only to products which have been properly assembled, adjusted, operated, and maintained in accordance with the instructions furnished. This Warranty does not apply to any product which has been subjected to alteration, misuse, abuse, improper assembly or installation, delivery damage, or to normal wear of the product.
6. Exclusions: Excluded from this Warranty are belts, blades, blade adapters, normal wear, normal adjustments, standard hardware and normal maintenance.
7. In case of any problem within the boundaries of this warranty, contact the nearest BRICORAMA department store, indicate the model number, serial number and the date of purchase of your machine. This warranty does not apply to accidental damages. All implicit warranties are limited to the same time frames. Or contact:

E.M. Services
54 Rue Lambrechts
92400 Courbevoie
France
Telephone: (1) 46678078
Fax: (1) 46678095

THIS WARRANTY DOES NOT APPLY TO INCIDENTAL OR CONSEQUENTIAL DAMAGES. ANY IMPLIED WARRANTIES ARE LIMITED TO THE SAME TIME PERIODS STATED HEREIN.