



**REPAIR PARTS MANUAL**  
**MODEL NO. WEX155B36A**  
**Lawn Tractor**

---

**WEED EATER®**

# HOW TO USE THIS MANUAL

This manual is designed to provide the customer with a means to identify the parts on his/her tractor when ordering repair parts. The illustrations may or may not represent the actual assemblies; therefore, it is not recommended to use this manual as a guide to assemble or disassemble the tractor. Some hardware and parts are drawn larger in order to more readily identify them.

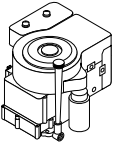

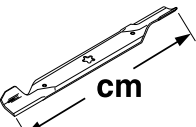
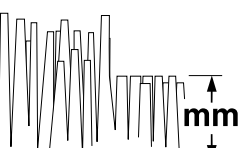

Each tractor has its own model number.

The model number for your tractor can be found on the fender under the seat.

When ordering parts, always give the following information:

- Product - "Tractor"
- Model Number - "WEX115B36A"
- Part Number
- Part Description

## SPECIFICATIONS

 hp/kw	 km/h	 cm	 mm	 KG	dB (A)	Vibration Vibration Vibración Vibrereng Vibrasjon	Lärmpegel Vibratie Vibrazioni Vibration Tärinä
11,5/8,6	0-5,9	91	25-89	250	100	<b>m/s<sup>2</sup></b>	4 to 8

## TABLE OF CONTENTS

WARRANTY .....	3
ELECTRICAL .....	4-5
HOOD .....	6
FENDER/CHASSIS .....	7
SEAT .....	8
DASH .....	9
STEERING WHEEL .....	10
SECTOR GEAR/AXLE SUPPORT .....	11
FRONT AXLE .....	12
BRAKE/REAR MOWER LIFT ASSEMBLY .....	13
ENGINE/THROTTLE .....	14
GROUND DRIVE .....	15
TRANSAXLE .....	16
MOWER LIFT LEVER.....	17
MOWER DECK .....	18-19
DECALS .....	20

## LIMITED WARRANTY

The Manufacturer warrants to the original consumer purchaser that this product as manufactured is free from defects in materials and workmanship. For a period of one (1) year from date of purchase by the original consumer purchaser, we will repair or replace, at our option, without charge for parts or labor incurred in replacing parts, any part which we find to be defective due to materials or workmanship. This Warranty is subject to the following limitations and exclusions.

1. This warranty does not apply to the engine, other than FHP manufactured transaxle/transmission components, battery (except as noted below) or components parts thereof. Please refer to the applicable manufacturer's warranty on these items.
2. Transportation charges for the movement of any power equipment unit or attachment are the responsibility of the purchaser. Transportation charges for any parts submitted for replacement under this warranty must be paid by the purchaser unless such return is requested by Frigidaire Home Products.
3. Battery Warranty: On products equipped with a Battery, we will replace, without charge to you, any battery which we find to be defective in manufacture, during the first ninety (90) days of ownership. After ninety (90) days, we will exchange the Battery, charging you 1/12 of the price of a new Battery for each full month from the date of the original sale. Battery must be maintained in accordance with the instructions furnished.
4. The Warranty period for any products used for rental or commercial purposes is limited to 90 days from the date of original purchase.
5. This Warranty applies only to products which have been properly assembled, adjusted, operated, and maintained in accordance with the instructions furnished. This Warranty does not apply to any product which has been subjected to alteration, misuse, abuse, improper assembly or installation, delivery damage, or to normal wear of the product.
6. Exclusions: Excluded from this Warranty are belts, blades, blade adapters, normal wear, normal adjustments, standard hardware and normal maintenance.
7. In the event you have a claim under this Warranty, you must return the product to an authorized service dealer.

Should you have any unanswered questions concerning this Warranty, please contact:

Frigidaire Home Products  
Outdoor Products Customer Service Dept.  
250 Bobby Jones Expressway  
Augusta, GA 30909 USA

In Canada contact:  
Frigidaire Home Products  
7075 Ordan Drive  
Mississauga, Ontario  
L5T 1K6

giving the model number, serial number and date of purchase of your product and the name and address of the authorized dealer from whom it was purchased.

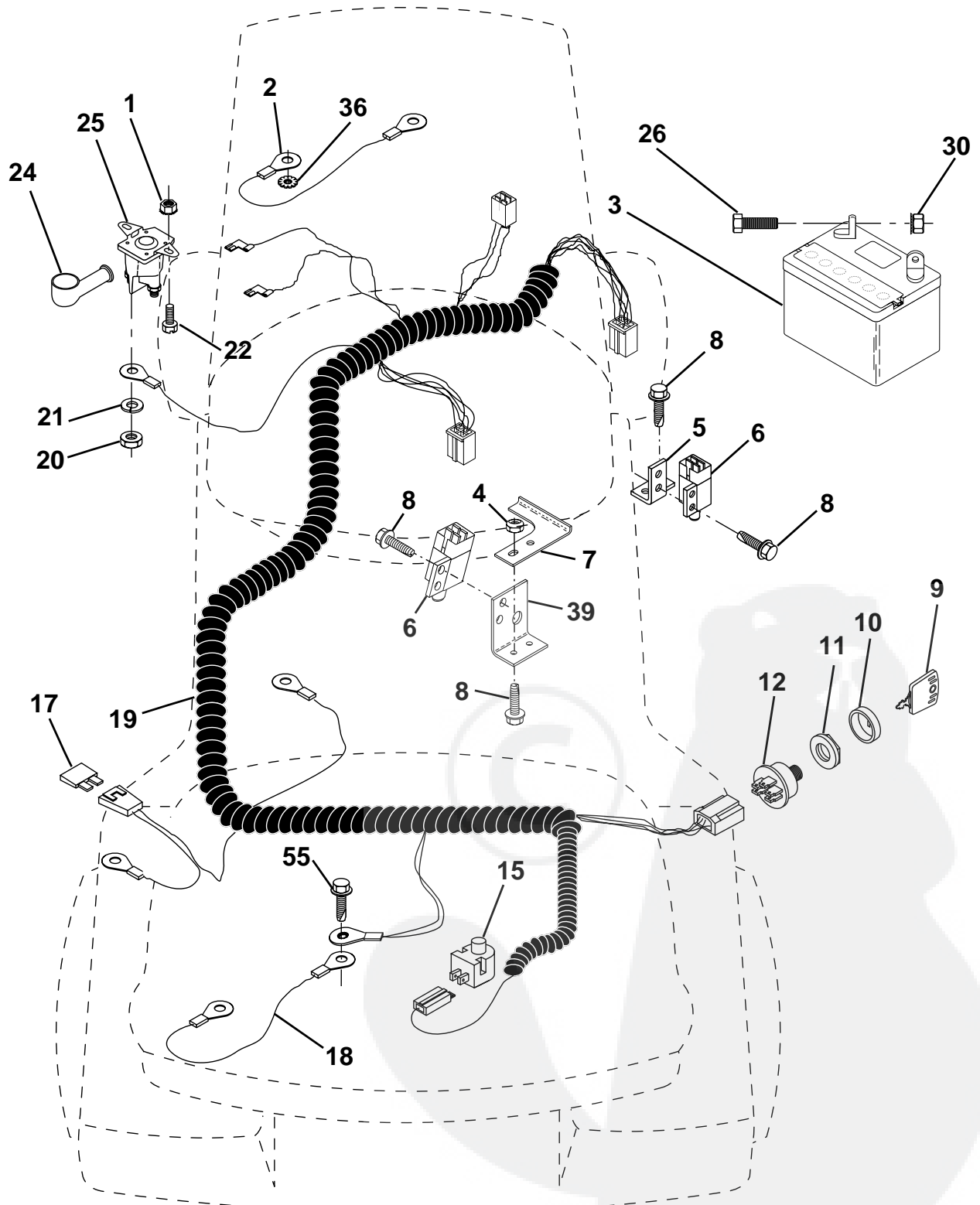
THIS WARRANTY DOES NOT APPLY TO INCIDENTAL OR CONSEQUENTIAL DAMAGES AND ANY IMPLIED WARRANTIES ARE LIMITED TO THE SAME TIME PERIODS STATED HEREIN FOR OUR EXPRESSED WARRANTIES. Some areas do not allow the limitation of consequential damages or limitations of how long an implied Warranty may last, so the above limitations or exclusions may not apply to you. This Warranty gives you specific legal rights, and you may have other rights which vary from locale to locale.

This is a limited Warranty within the meaning of that term as defined in the Magnuson-Moss Act of 1975.

# REPAIR PARTS

TRACTOR - - MODEL NUMBER WEX115B36A

## ELECTRICAL



# REPAIR PARTS

## TRACTOR - - MODEL NUMBER WEX115B36A

### ELECTRICAL

KEY NO.	PART NO.	DESCRIPTION
1	73640400	Nut, Hex, Keps 1/4-20
2	4560J	Assembly, Cable
3	144924	Battery
4	69180	Nut, lock #10-24 UNC
5	108236X	Bracket, Switch
6	109553X	Switch, Interlock, 4 Terminal
7	146374	Keeper, Actuator
8	17021008	Screw, Hex Head, Self-Tapping #10-24 x 1/2
9	140402	Key, Molded
10	141226	Cover, Ignition Key
11	140400	Nut, Ignition
12	163088	Switch, Ignition
15	121305X	Switch, Plunger
17	166180	Fuse
18	128353	Assembly, Cable
19	166143	Harness, Ignition
20	73350400	Nut, Hex, Jam 1/4-20
21	10090400	Washer, Lock 1/4
22	71110408	Bolt, Hex, Fin. 1/4-20 UNC x 1/2 Grade 5
24	131563	Cover, Terminal
25	145673	Solenoid
26	74760412	Bolt, Hex Head 1/4-20 UNC x 3/4
30	73510400	Nut, Keps Hex 1/4-20 UNC
36	11150400	Washer, Lock, Internal Tooth 1/4
39	141735	Bracket Switch Clutch
55	17490508	Screw Thdrol 5/16 - 18 x 1/2

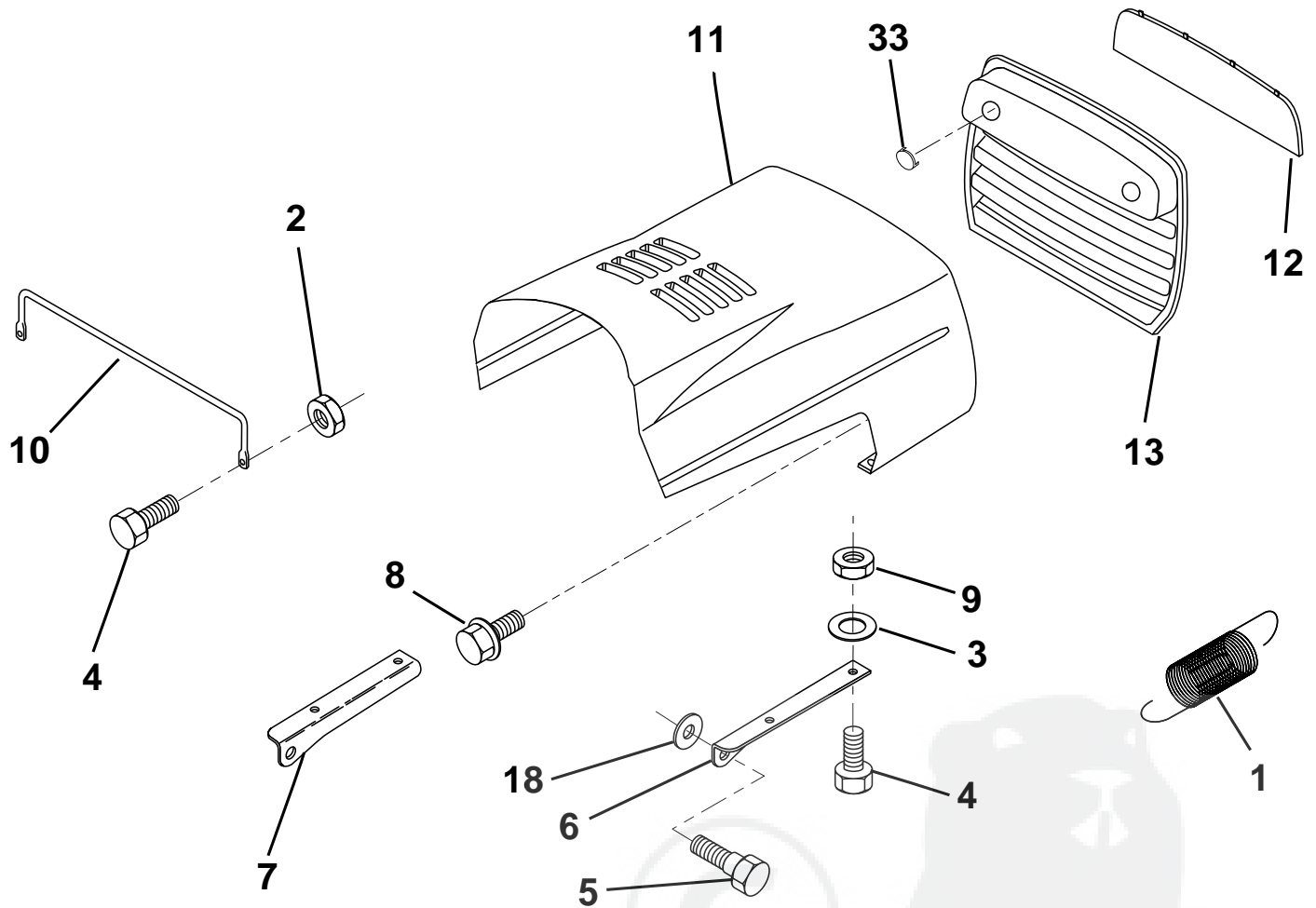
**NOTE:** All component dimensions given in U.S. inches  
1 inch = 25.4 mm

**HARDWARE SHOWN LARGER FOR EASIER IDENTIFICATION**

# REPAIR PARTS

## TRACTOR - - MODEL NUMBER WEX115B36A

### HOOD



KEY NO.	PART NO.	DESCRIPTION
1	124657X	Spring, Extension
2	73510400	Nut, Hex, Keps 1/4-20 UNC
3	19091416	Washer 9/32 x 7/8 x 16 Ga.
4	74780412	Bolt, Hex, Fin 1/4-20 x 3/4 Grade 5
5	139888	Bolt, Shoulder
6	122549X	Bracket, Hood, R.H.
7	122548X	Bracket, Hood, L.H.
8	164863	Screw, HWHD Hi-Lo #13-16 x 3/4
9	73800400	Nut, Lock W/Insert 1/4-20

KEY NO.	PART NO.	DESCRIPTION
10	123693X	Brace, Hood
11	132918X550	Hood
12	122035X	Lens
13	127029X	Grill
18	19111116	Washer 11/32 x 11/16 x 16 Ga.
33	131319	Plug Socket Light

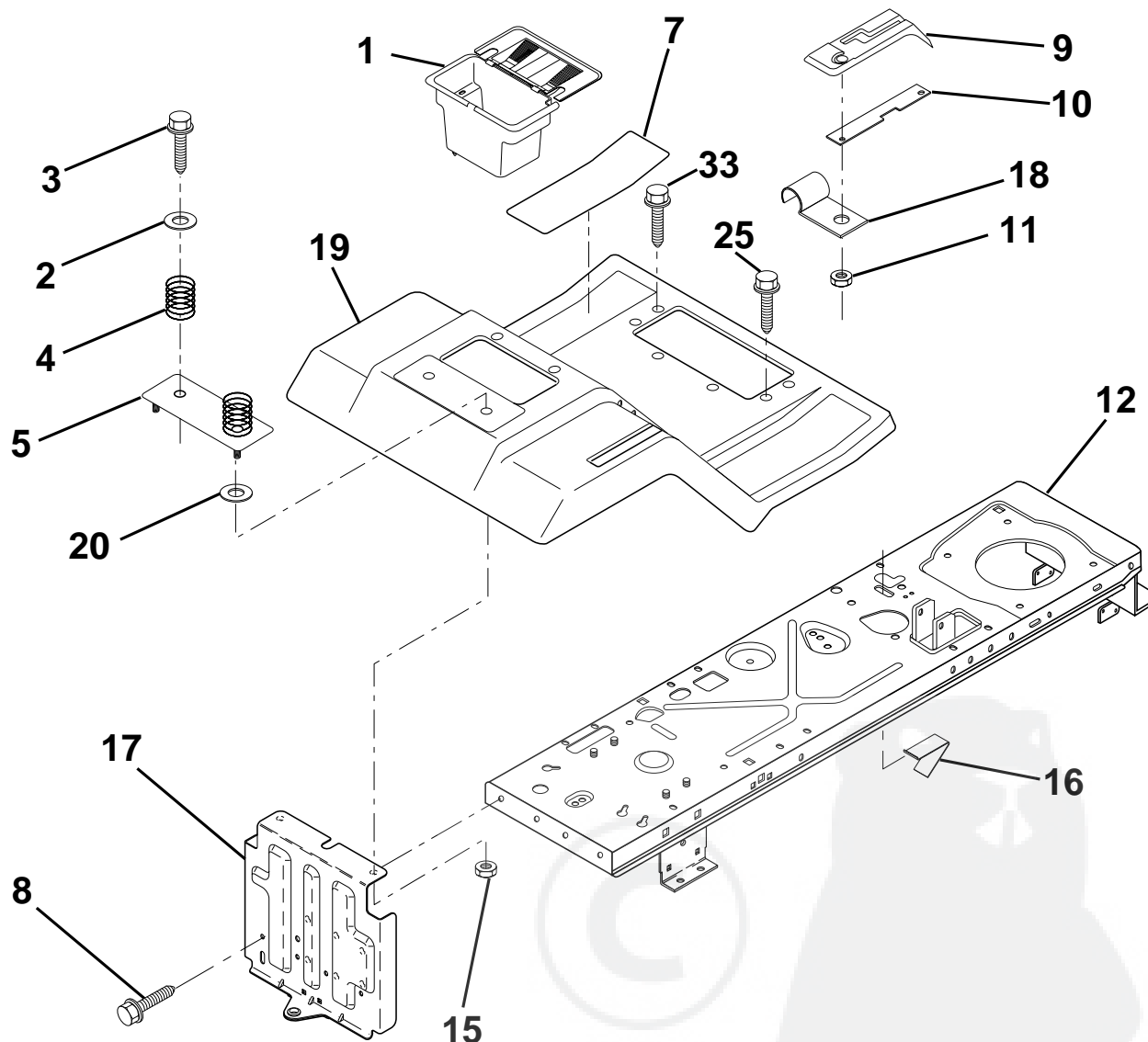
**NOTE:** All component dimensions given in U.S. inches  
1 inch = 25.4 mm.

**HARDWARE SHOWN LARGER FOR EASIER IDENTIFICATION**

# REPAIR PARTS

## TRACTOR - - MODEL NUMBER WEX115B36A

### FENDER / CHASSIS



KEY NO.	PART NO.	DESCRIPTION
1	156417	Case, Battery
2	19132012	Washer 13/32 x 1-1/4 x 12 Gauge
3	17490612	Screw, Hex Washer Head, Thd. Roll. 3/8-16 x 3/4
4	124181X	Spring, Compression, Seat
5	127115X550	Plate, Battery
7	124144X	Pad, Footrest
8	17490512	Screw, Hex Washer Head, Thd. Roll. 5/16-18 x 3/4

KEY NO.	PART NO.	DESCRIPTION
12	145190	Chassis, Assembly, Weldment
15	73640400	Nut, Hex, Keps 1/4-20
16	141736	Switch, Actuator
17	140782	Drawbar
18	126470X	Clip, Insulated
19	140955X550	Fender/Footrest
20	19091413	Washer 9/32 x 7/8 x 13 Gauge
25	17060514	Screw Tapping 5/16-18
33	17190516	Scr.-Hx Wsh Thd Rol 5/16-18 x 1T

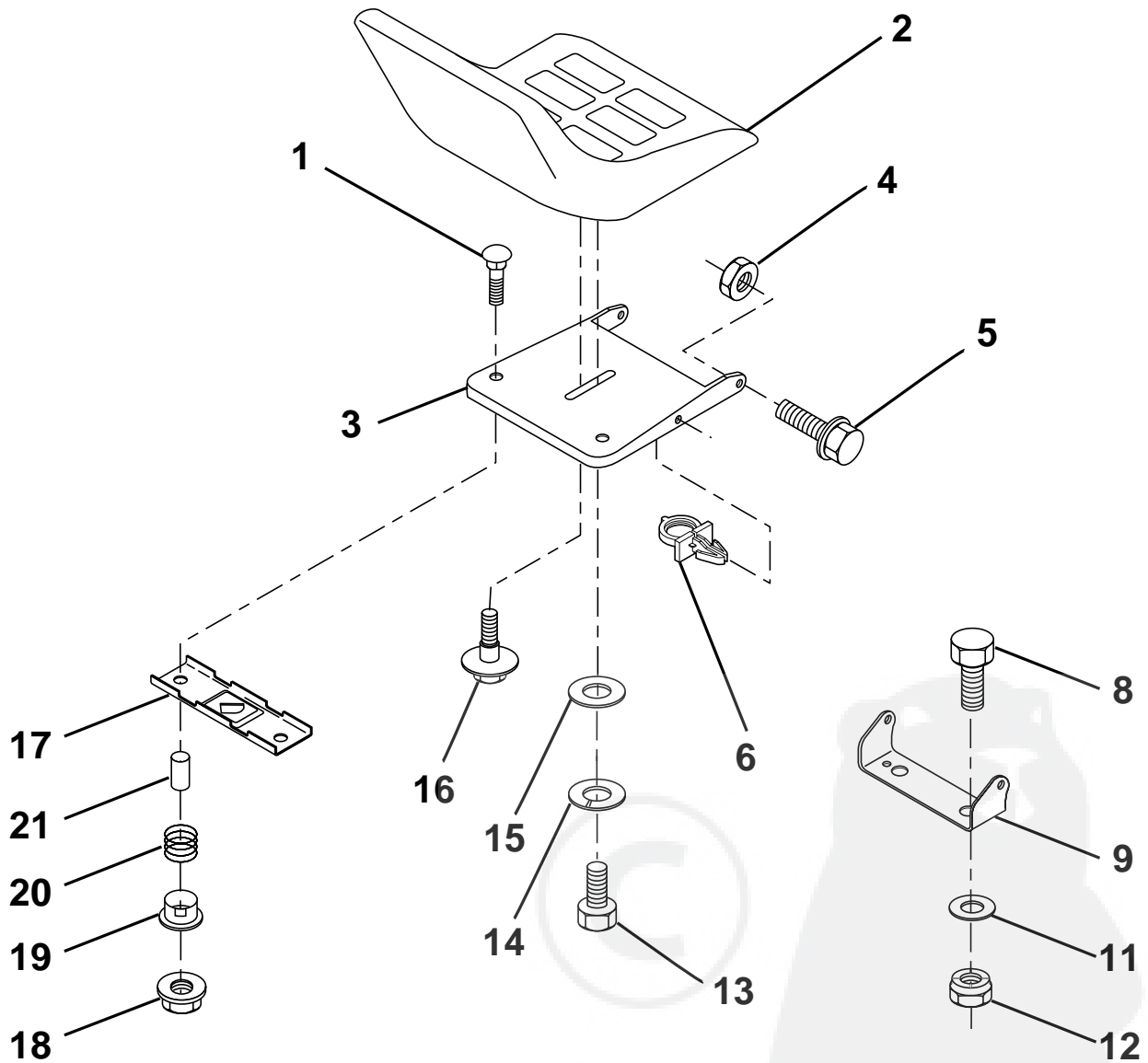
**NOTE:** All component dimensions given in U.S. inches  
1 inch = 25.4 mm.

**HARDWARE SHOWN LARGER FOR EASIER IDENTIFICATION**

# REPAIR PARTS

## TRACTOR - - MODEL NUMBER WEX115B36A

### SEAT



KEY NO.	PART NO.	DESCRIPTION
1	72050412	Bolt, Carriage 1/4-20 x 1-1/2
2	127426X	Seat
3	155925	Pan, Seat
4	73800500	Nut, Lock Hex W/Ins. 5/16-18
5	153236	Bolt, Shld. 5/16-18
6	145006	Clip, Push-In
8	74760616	Bolt, Hex, Fin 3/8-16 UNC x 3/4
9	140551	Bracket, Pivot, Seat
11	19133210	Washer 13/32 x 2 x 10 Gauge
12	73800600	Nut, Lock Hex W/Wsh 3/8-16

KEY NO.	PART NO.	DESCRIPTION
13	74780814	Bolt, Fin Hex 1/2 - 13 x 7/8 Gr. 5
14	10040800	Washer Lock Hvy HLCL Spr. 1/2
15	19171912	Washer 17/32 x 13/16 x 12 Gauge
16	127018X	Bolt, Shoulder
17	121246X	Bracket, Switch, Mounting
18	123976X	Locknut, Hex, Large, Flange
19	121248X	Bushing, Snap
20	121250X	Spring, Compression
21	134300	Spacer, Split, Large .28 Id. x .96

**NOTE:** All component dimensions given in U.S. inches  
1 inch = 25.4 mm.

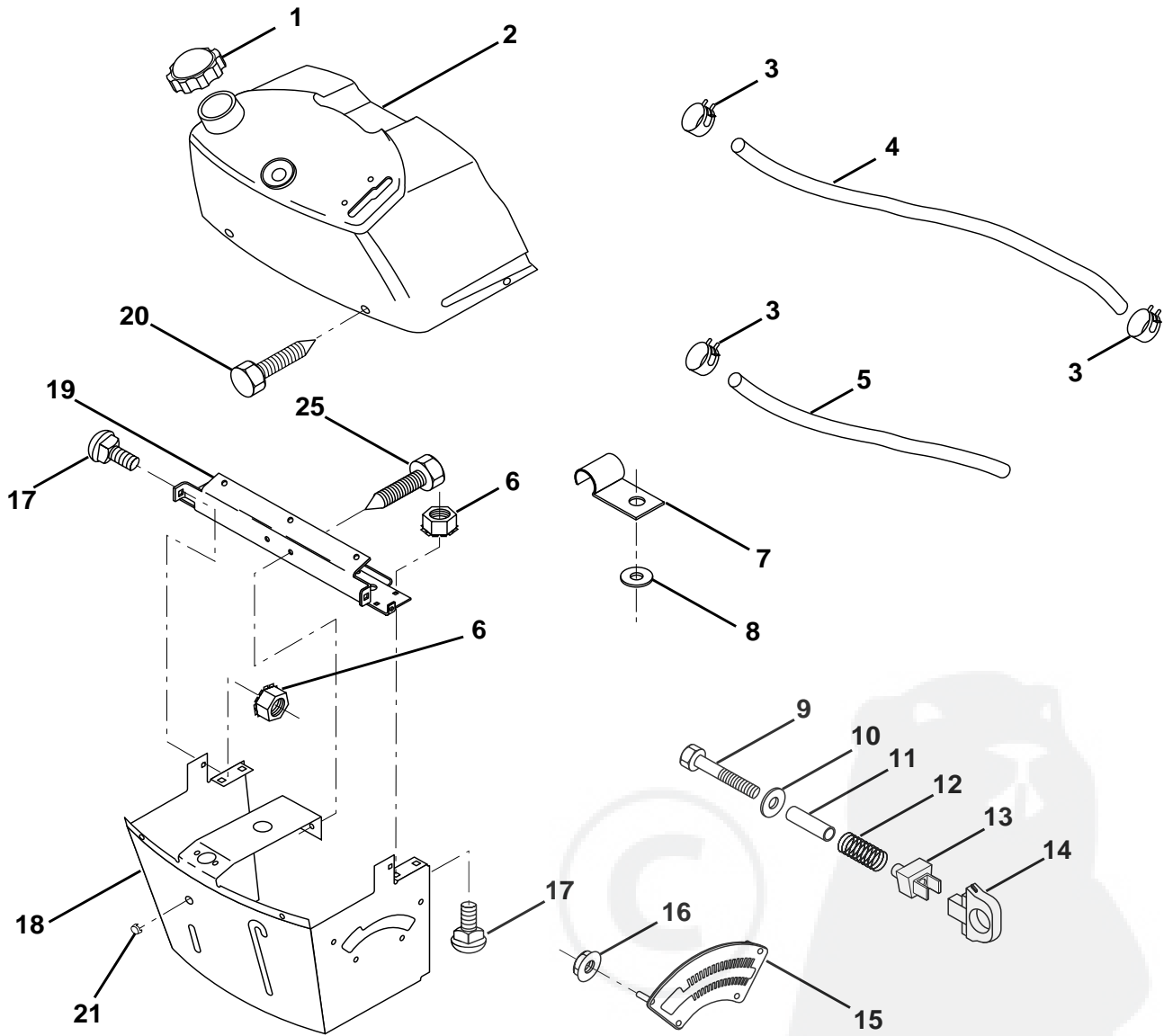
**HARDWARE SHOWN LARGER FOR EASIER IDENTIFICATION**



# REPAIR PARTS

## TRACTOR - - MODEL NUMBER WEX115B36A

### DASH



KEY NO.	PART NO.	DESCRIPTION
1	141523	Cap, Fuel
2	138393	Assembly, Dash & Fuel Tank
3	123487X	Clamp, Hose
4	8544R	Line, Fuel
5	8548R	Line, Fuel
6	73640400	Nut, Hex, Keps 1/4-20
7	2751R	Clip, Fuel Line
8	19091216	Washer 9/32 x 3/4 x 16 Gauge
9	74760428	Bolt, Hex, Fin. 1/4-20 x 1-3/4
10	19091413	Washer 11/32 x 11/16 x 16 Gauge
11	121249X	Spacer, Split
12	3720R	Spring

KEY NO.	PART NO.	DESCRIPTION
13	126450X	Clip, Height Adjustment
14	126115X	Knob, Height Stop
15	122023X	Adjustment, Quadrant Height
16	124346X	Nut, Self-Threading 3/16-18
17	72110404	Bolt, Carriage 1/4-20 x 1/2 Grade 5
18	130745	Support Assembly, Dash
19	134744	Brace, Cross
20	17060408	Screw, Tap 1/4-20 x 1/2
21	134014	Plug, Dome
25	17720410	Screw Hex Thd Cut 1/4-20 x 5/8

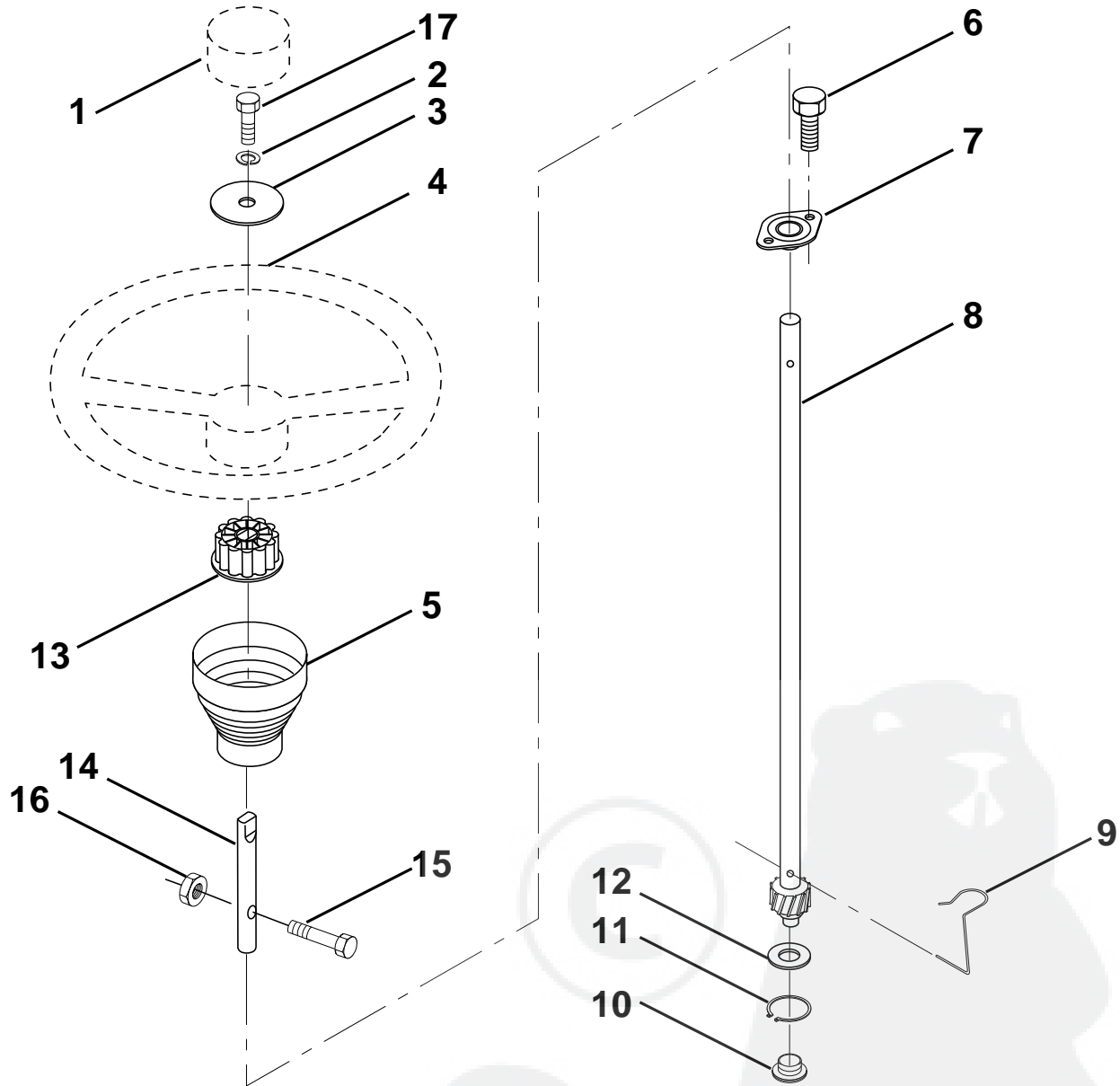
**NOTE:** All component dimensions given in U.S. inches  
1 inch = 25.4 mm.

**HARDWARE SHOWN LARGER FOR EASIER IDENTIFICATION**

# REPAIR PARTS

## TRACTOR - - MODEL NUMBER WEX115B36A

### STEERING WHEEL



KEY NO.	PART NO.	DESCRIPTION
1	133742	Insert, Steering Wheel
2	10040600	Washer, Lock Hvy. Hlcl Spr 3/8
3	19133808	Washer 13/32 x 2-3/8 x 8 Ga.
4	133741	Wheel, Steering
5	121897X	Sleeve, Steering
6	152927	Screw, TT #10-32 5 3/8 Flange
7	155104	Bushing, Steering
8	147391	Shaft, Steering
9	124210X	Clip, Steering
10	123438X	Bushing, Lower, Steering

KEY NO.	PART NO.	DESCRIPTION
11	12000045	Ring, Retaining
12	19211616	Washer 21/32 x 1 x 16 Ga.
13	100711L	Adaptor, Steering Wheel
14	153720	Extension Shaft Steering
15	74780520	Bolt Fin Hex 5/16-18 UNC x 1-1/4
16	73800500	Nut Lock Hx W/Insert 5/16-18 UNC
17	74780616	Bolt, Fin Hex 3/8-16 Unc x 1 Gr. 5

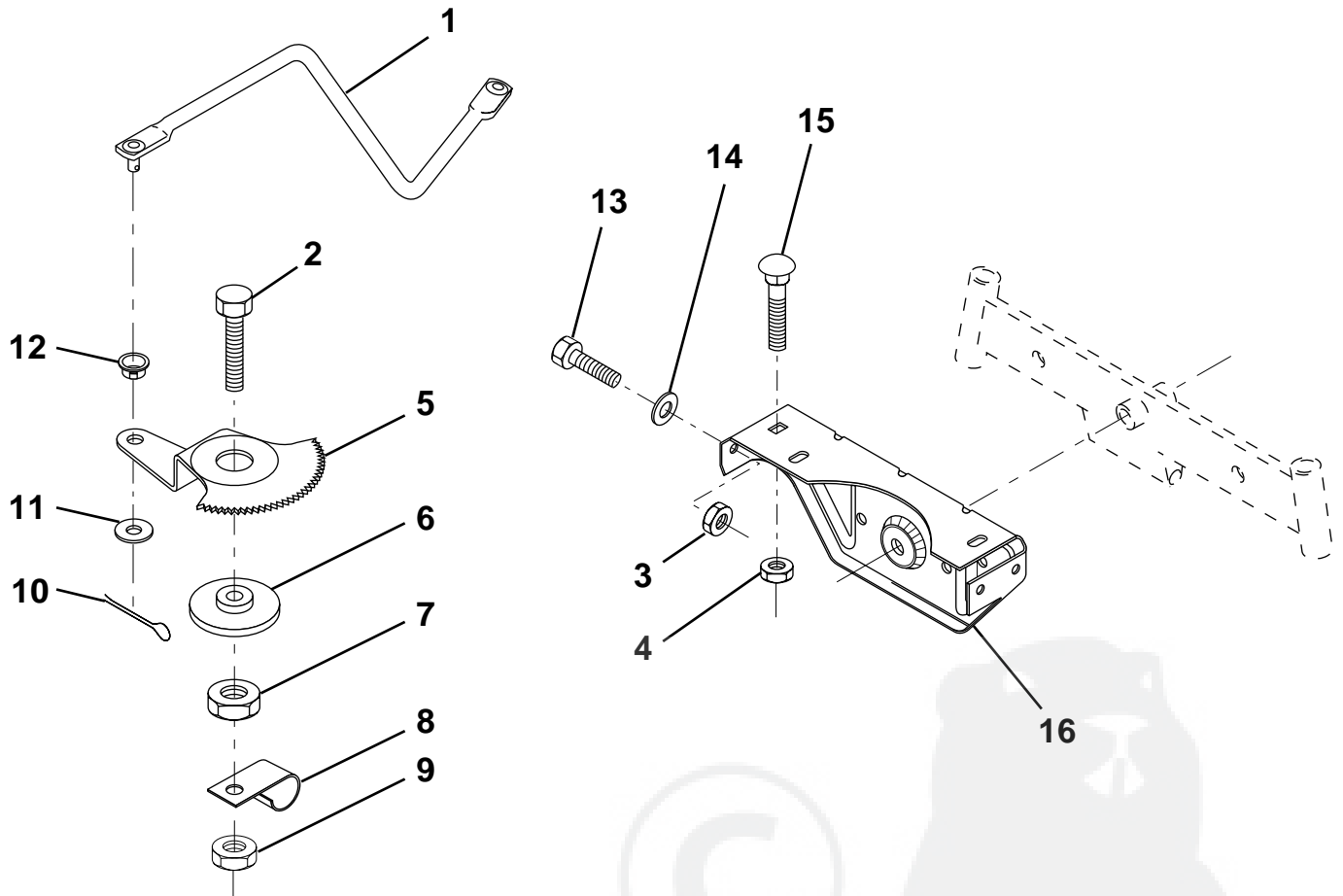
**NOTE:** All component dimensions given in U.S. inches.  
1 inch = 25.4 mm.

**HARDWARE SHOWN LARGER FOR EASIER IDENTIFICATION**

# REPAIR PARTS

TRACTOR - - MODEL NUMBER WEX115B36A

## SECTOR GEAR / AXLE SUPPORT



KEY NO.	PART NO.	DESCRIPTION
1	132566	Link, Drag
2	74780828	Bolt, Hex, Fin 1/2-13 x 1-3/4
3	73680500	Nut, Crownlock 5/16-18
4	73680600	Nut, Crownlock 3/8-16 UNC
5	121926X	Gear, Sector
6	121927X	Bushing
7	73030800	Nut, Heavy, Hex, Top Lock 1/2-13 UNC
8	126472X	Clip, Wire
9	73680800	Nut, Crownlock 1/2-13

KEY NO.	PART NO.	DESCRIPTION
10	76020412	Pin, Cotter 1/8 x 3/4
11	19131316	Washer 13/32 x 13/16 x 16 Ga.
12	126847X	Bushing
13	74760512	Bolt, Hex 5/16-18 x 3/4
14	19111416	Washer 11/32 x 7/8 x 16 Ga.
15	72110606	Bolt, Carriage 3/8-16 UNC x 3/4
16	137096	Support, Front Axle

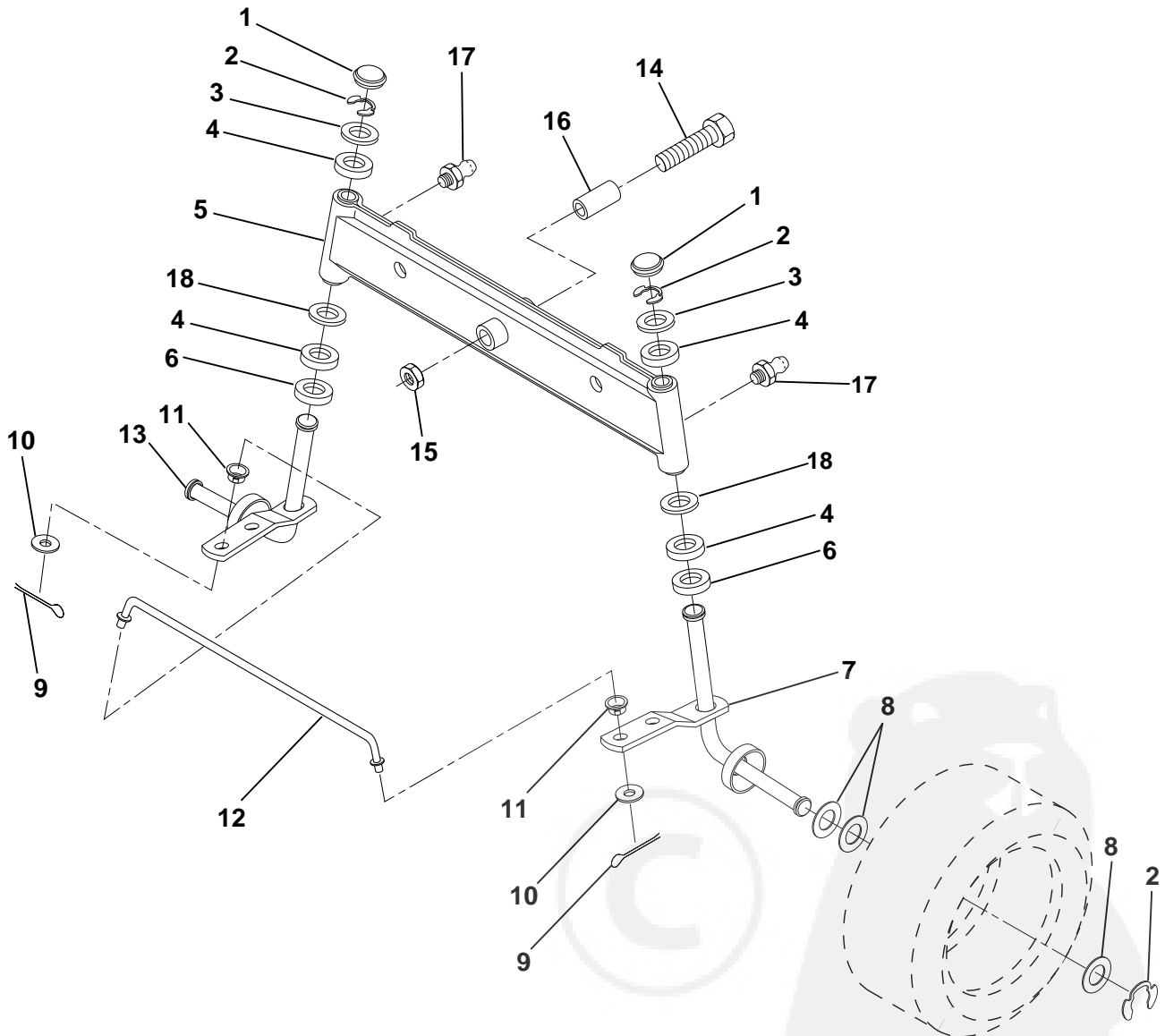
**NOTE:** All component dimensions given in U.S. inches  
1 inch = 25.4 mm.

**HARDWARE SHOWN LARGER FOR EASIER IDENTIFICATION**

# REPAIR PARTS

## TRACTOR - - MODEL NUMBER WEX115B36A

### FRONT AXLE



KEY NO.	PART NO.	DESCRIPTION
1	121232X	Cap, Spindle
2	1200029	Ring, Klip
3	121748X	Washer 25/32 x 1-5/8 x 16 Gauge
4	3366R	Bearing
5	142033	Axle, Front
6	6266H	Bearing, Thrust
7	161826	Spindle Assembly, R.H.
8	121749X	Washer 25/32 x 1-1/4 x 16 Gauge
9	76020412	Pin, Cotter 1/8 x 3/4
10	19131316	Washer 13/32 x 13/16 x 16 Gauge

KEY NO.	PART NO.	DESCRIPTION
11	126847X	Bushing
12	130465	Rod, Tie
13	161827	Spindle Assembly, L.H.
14	74011056	Bolt, Hex 5/8-11 x 3-1/2
15	73901000	Nut, Lock Flange 5/8-11
16	110438X	Spacer
17	6855M	Fitting, Grease
18	19272016	Washer 27/32 x 1-1/4 x 16 Ga.

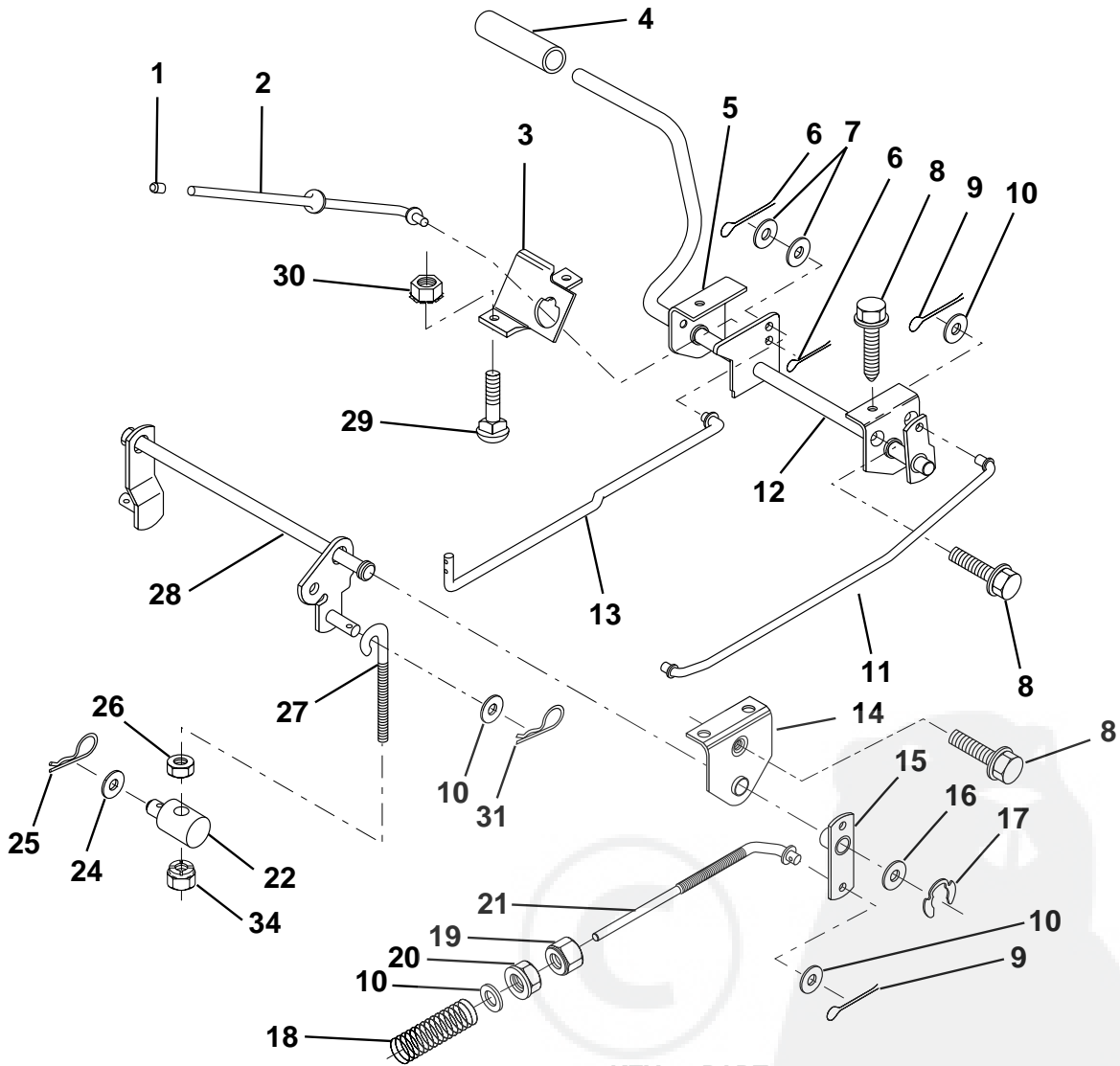
**NOTE:** All component dimensions given in U.S. inches  
1 inch = 25.4 mm.

**HARDWARE SHOWN LARGER FOR EASIER IDENTIFICATION**

# REPAIR PARTS

## TRACTOR - - MODEL NUMBER WEX115B36A

### BRAKE / REAR MOWER LIFT ASSEMBLY



KEY NO.	PART NO.	DESCRIPTION	KEY NO.	PART NO.	DESCRIPTION
1	71673	Cap, Parking Brake	18	151332	Spring, Brake Rod
2	123436X	Rod, Parking Brake	19	73350600	Nut, Hex Jam 3/8-16 UNC
3	123437X	Bracket, Parking Brake	20	73800600	Nut Lock Hex W/Insert 3/8-16 UNC
4	8156H	Cover, Pedal	21	131460	Rod, Rear Brake
5	122504X	Bracket, Pedal, Clutch LH	22	144585	Trunnion, Lift
6	76020312	Pin, Cotter 3/32 x 3/4	24	19132012	Washer 13/32 x 1-1/4 x 12 Gauge
7	19131016	Washer 13/32 x 5/8 x 16 Gauge	25	4921H	Spring, Retainer
8	17490508	Screw, Hex, Thd. Roll. 5/16-18 x 1/2	26	73930600	Nut, Centerlock 3/8-16 UNC
9	76020412	Pin, Cotter 1/8 x 3/4	27	127369	Link, Threaded
10	19131316	Washer 13/32 x 13/16 x 16 Gauge	28	140776	Assembly, Rear Mower Lift
11	123543X	Rod, Front Brake	29	72110506	Bolt, Carriage 5/16-18 UNC x 3/4
12	139933	Assembly, Clutch/Brake Pedal	30	73510500	Nut, Keps 5/16-18 UNC
13	123394X	Rod, Clutch	31	3146R	Retainer, Spring
14	121978X	Bracket, Lift, Shaft	34	73680600	Nut, Crownlock 3/8-16
15	133332	Assembly, Brake, Pivot, Arm			
16	19251816	Washer 25/32 x 1-1/8 x 16 Gauge			
17	12000034	Ring, Klip			

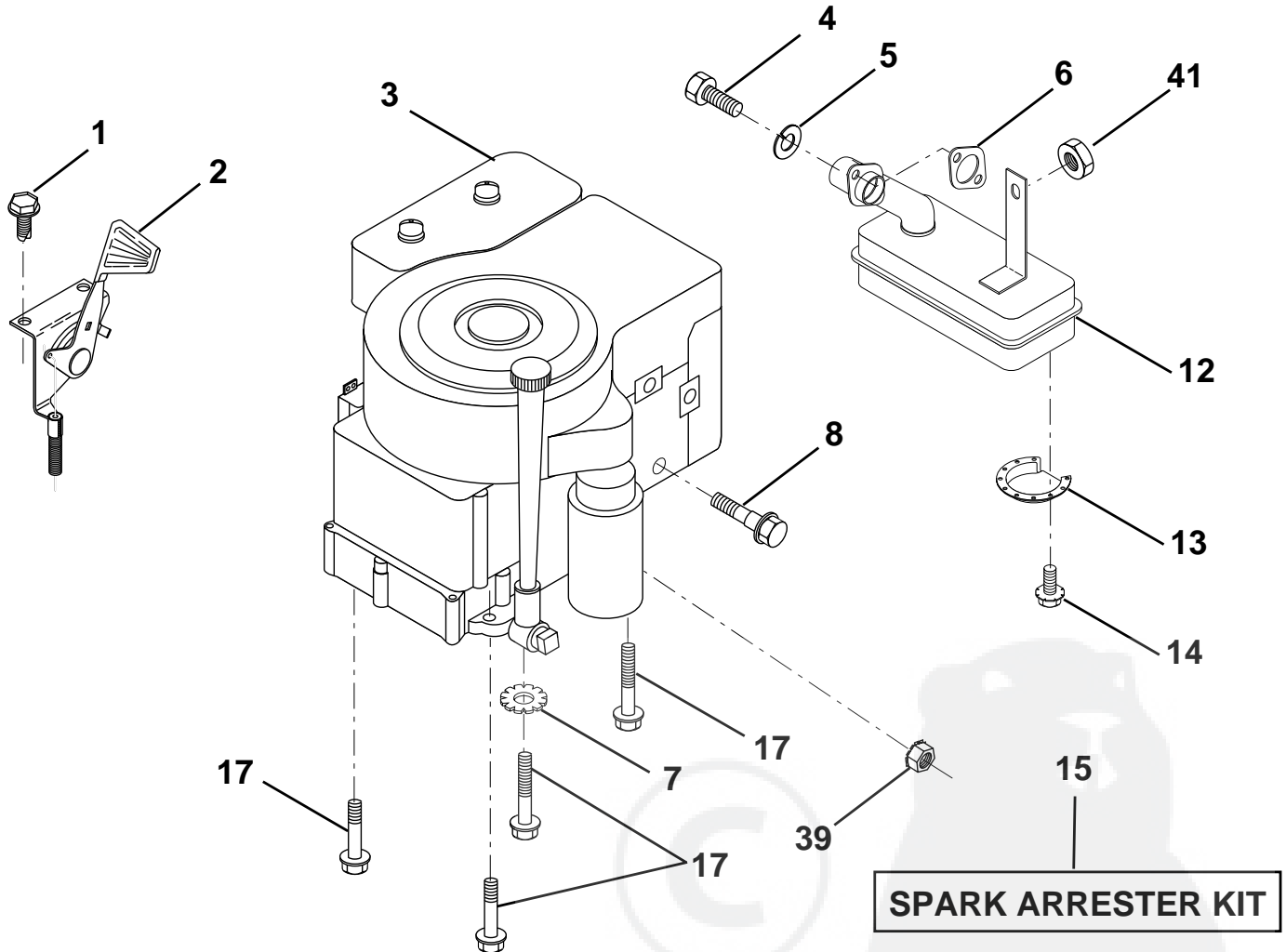
**NOTE:** All component dimensions given in U.S. inches  
1 inch = 25.4 mm.

**HARDWARE SHOWN LARGER FOR EASIER IDENTIFICATION**

# REPAIR PARTS

TRACTOR - - MODEL NUMBER WEX115B36A

ENGINE / THROTTLE



KEY NO.	PART NO.	DESCRIPTION
1	17720410	Screw, Hex, Thread Cutting 1/4-20 x 5/8
2	132752	Control, Throttle
3	-----	Engine, Tecumseh, Model OHV130 (Order parts from engine manufacturer)
4	123528X	Bolt, Hex Hd Phillips
5	10040500	Washer, Lock, Heavy Helical Spring 5/16
6	165291	Gasket, Exhaust
7	11050600	Washer Lock Ext Tooth 3/8

KEY NO.	PART NO.	DESCRIPTION
8	81328	Bolt, Shoulder 1/4-20
12	156448	Muffler
13	101326L	Deflector, Muffler
14	17030808	Screw, Spiderlock
15	137180	Kit, Spark Arrester (Optional)
17	17490624	Screw, Hex Washer Head, Thd. Roll. 3/8-16 x 1-1/2
39	128861	Nut Flange 1/4-20
41	73900500	Nut, Lock, Hex Flange 5/16-18

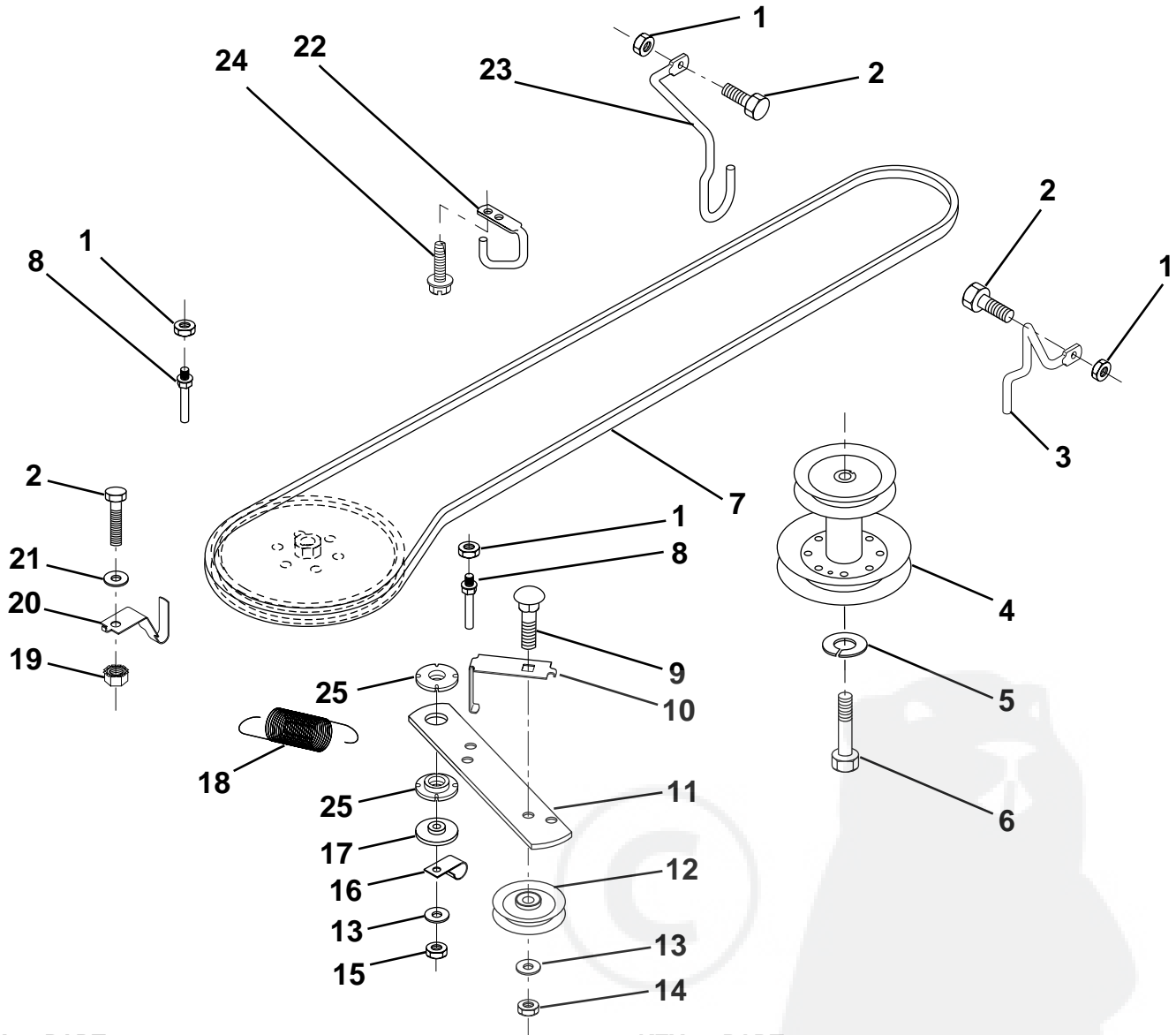
**NOTE:** All component dimensions given in U.S. inches  
1 inch = 25.4 mm

**HARDWARE SHOWN LARGER FOR EASIER IDENTIFICATION**

# REPAIR PARTS

## TRACTOR - - MODEL NUMBER WEX115B36A

### GROUND DRIVE



KEY NO.	PART NO.	DESCRIPTION	KEY NO.	PART NO.	DESCRIPTION
1	73680500	Nut, Lock Hex W/Ins 5/16-18	14	73930600	Nut, Centerlock 3/8-16 UNC
2	74760512	Bolt, Hex 5/16-18 UNC x 3/4	15	73680600	Nut, Crownlock 3/8-16
3	141342	Keeper, Mower Drive Belt, Engine, R.H.	16	126471X	Clip, Insulated
4	138029	Pulley, Engine	17	150932	Spacer, Retainer
5	10040700	Washer, Lock, Heavy Helical Spring 7/16	18	131459	Spring, Extension
6	71170744	Bolt, Hex, 7/16-20 x 2-3/4 Grade 5	19	73510500	Nut, Keps 5/16-18 UNC
7	126520X	Traction, V-Belt Drive	20	139919	Keeper, T/A Ground Drive Belt
8	123405X	Keeper, T/A Ground Drive Belt	21	19111016	Washer 11/32 x 5/8 x 16 Gauge
9	72140612	Bolt, Carriage 3/8-16 UNC x 1-1/2	22	123404X	Keeper, Ground Drive Belt, Frame
10	123396X	Keeper, Ground Drive Belt, Idler	23	140916	Keeper, Mower Drive Belt, L.H.
11	150926	Arm, Ground Drive Clutch	24	17720408	Screw, Thdcut 1/4-20 x 1/2
12	123674X	Idler, Flat	25	150935	Bushing
13	19131316	Washer 13/32 x 13/16 x 16 Gauge			

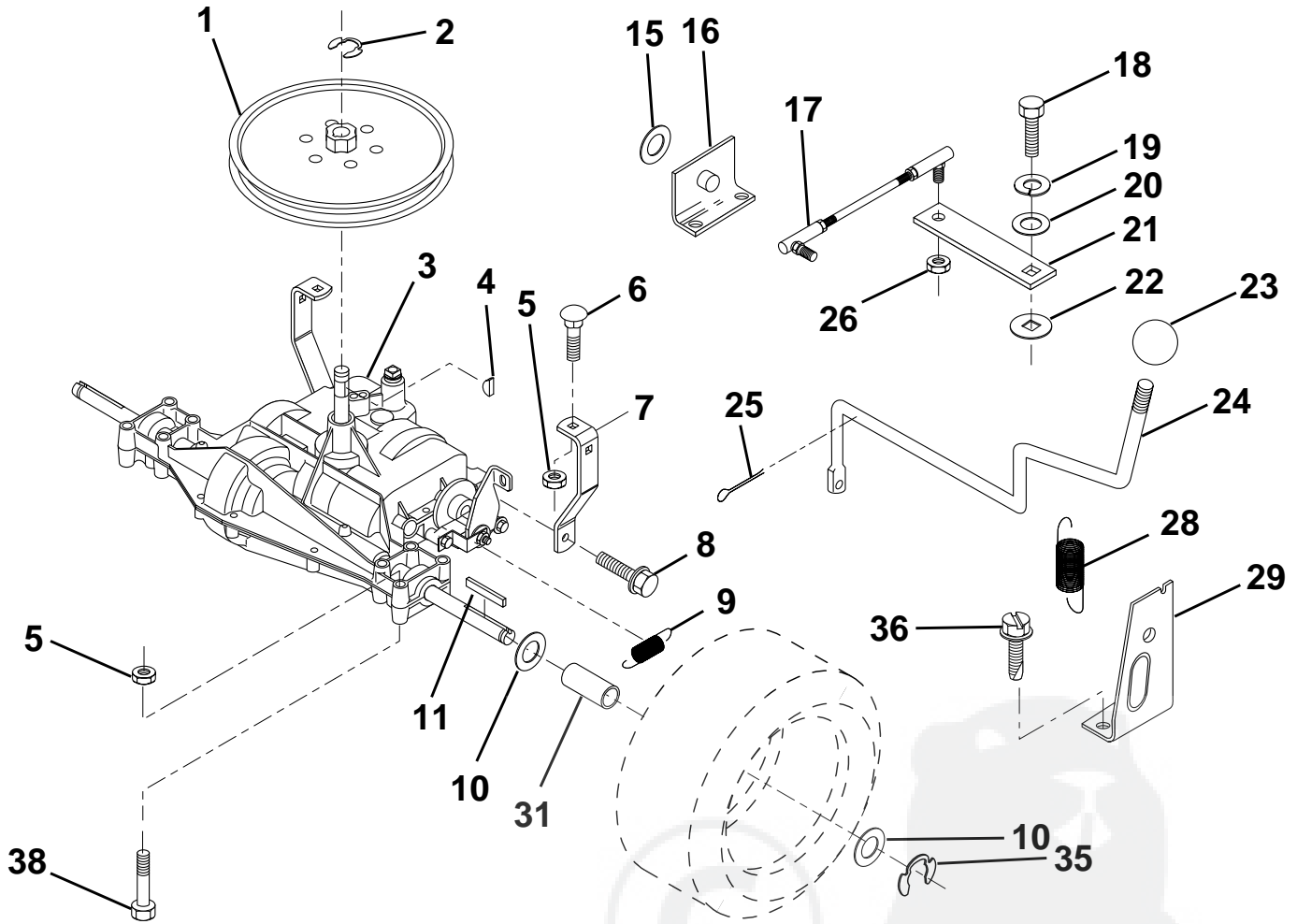
**NOTE:** All component dimensions given in U.S. inches  
1 inch = 25.4 mm

**HARDWARE SHOWN LARGER FOR EASIER IDENTIFICATION**

# REPAIR PARTS

## TRACTOR - - MODEL NUMBER WEX115B36A

### TRANSAXLE



KEY NO.	PART NO.	DESCRIPTION	KEY NO.	PART NO.	DESCRIPTION
1	123385X	Pulley	18	74550412	Bolt, Fin Hex 1/4-28 UNF x 3/4 Gr. 8
2	12000028	Ring, Retainer	19	10040400	Washer, Lock 1/4
3	-----	Transaxle, Peerless Model # 204-506B (Order parts from transaxle manufacturer)	20	19091210	Washer 9/32 x 3/4 x 10 Ga.
4	2228M	Key, Woodruff #9	21	126292X	Arm, Shift
5	73680500	Nut, Crownlock 5/16-18	22	105701X	Washer, Shift Plate
6	72140506	Bolt, Carriage 5/16-18 UNC x 3/4	23	106933X	Knob
7	123378X	Strap, Torque	24	128215	Rod, Shift
8	17490512	Screw 5/16-18 x 3/4	25	76020416	Pin, Cotter 1/8 x 1
9	146682	Spring, Brake	26	73810500	Locknut 5/16-24 UNF
10	121749X	Washer 25/32 x 1-1/4 x 16 Ga.	28	128085	Spring, Extension
11	123583X	Key, Square	29	128084	Support, Handle Shift RH
15	19171616	Washer 17/32 x 1 x 16 Ga.	31	137057	Spacer, Axle
16	124600	Support, Handle Shift LH	35	12000001	E-Ring
17	126293X	Link, Shift	36	17720408	Screw, Thdcut 1/4-20 x 1/2
			38	74490540	Bolt, Hex, Flgnd 5/16-18

**NOTE:** All component dimensions given in U.S. inches  
1 inch = 25.4 mm

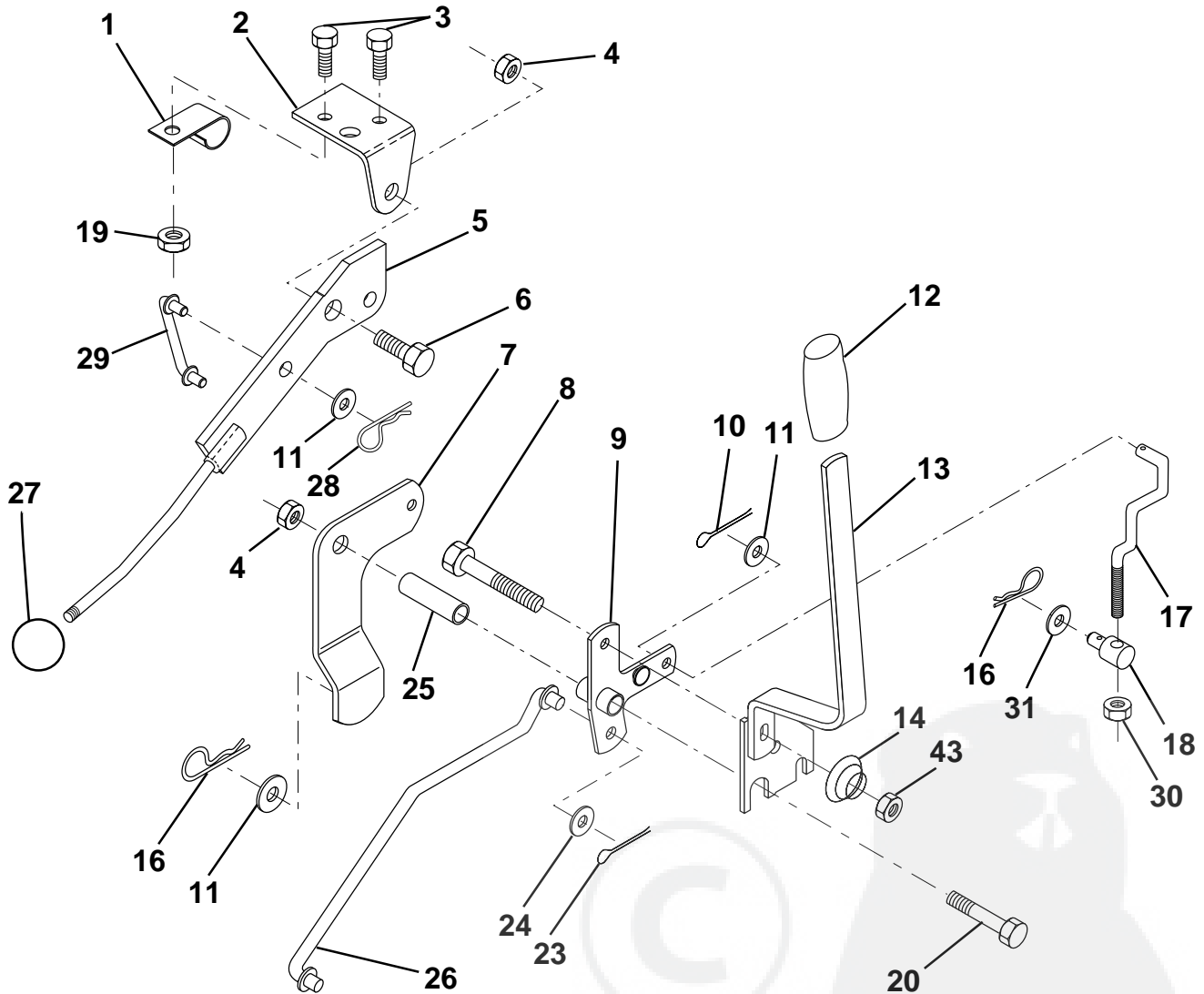
**HARDWARE SHOWN LARGER FOR EASIER IDENTIFICATION**



# REPAIR PARTS

## TRACTOR - - MODEL NUMBER WEX115B36A

### MOWER LIFT LEVER



KEY NO.	PART NO.	DESCRIPTION
1	126470X	Clip, Insulated
2	122018X	Bracket, Mower Clutch
3	71110408	Bolt, Hex, Fin 1/4-20 UNC x 1/2 Grade 5
4	73680600	Nut, Crownlock 3/8-16
5	145187	Assembly, Clutch Lever
6	106451X	Bolt, Shoulder
7	135371	Assembly, Mower Clutch Arm
8	74760636	Bolt, Hex 3/8-16 UNC x 2-1/4
9	121930X	Assembly, Bellcrank, Lift
10	76020412	Pin, Cotter 1/8 x 3/4
11	19131316	Washer 13/32 x 13/16 x 16 Gauge
12	131861	Sleeve, Handle
13	139352	Assembly, Lift Handle
14	123496X	Spring, Compression
16	4921H	Retainer, Spring

KEY NO.	PART NO.	DESCRIPTION
17	127359	Link, Front Lift
18	142028	Trunnion, Threaded 3/8-16
19	73680400	Nut, Keps 1/4-20
20	74760644	Bolt, Hex, Fin. 3/8-16 UNC x 2-3/4
23	76020416	Pin, Cotter 1/8 x 1
24	19171612	Washer 17/32 x 1 x 16 Gauge
25	121933X	Tube, Spacer
26	141470	Rod, Mower Lift
27	106932X	Knob, Rd
28	4497H	Retainer, Spring
29	131655	Link, Mower Clutch
30	73350600	Nut, Hex Jam 3/8-16
31	19132012	Washer 13/32 x 1-1/4 x 12 Ga.
43	73900600	Nut, Lock Flg. 3/8-16

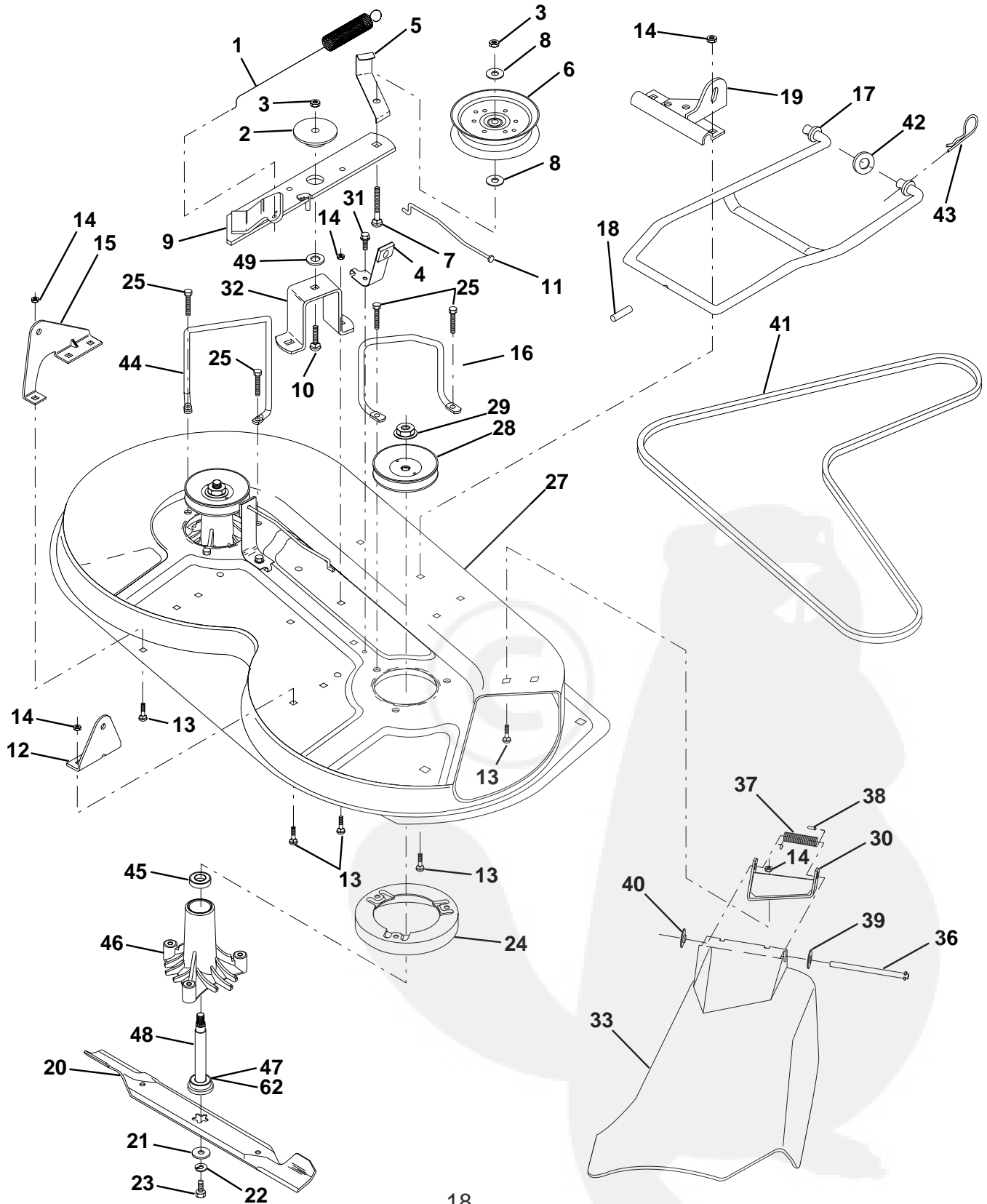
**NOTE:** All component dimensions given in U.S. inches  
1 inch = 25.4 mm.

**HARDWARE SHOWN LARGER FOR EASIER IDENTIFICATION**

# REPAIR PARTS

TRACTOR - - MODEL NUMBER WEX115B36A

## MOWER DECK



# REPAIR PARTS

## TRACTOR - - MODEL NUMBER WEX115B36A

### MOWER DECK

KEY NO.	PART NO.	DESCRIPTION	KEY NO.	PART NO.	DESCRIPTION
1	140064	Spring, Mower Clutch	29	137266	Nut, Flangelock 9/16
2	122052X	Spacer, Retainer	30	136631	Bracket, Deflector
3	73680600	Nut, Crownlock 3/8-16	31	17490508	Screw, Hex Washer Head, Thd. Roll. 5/16-18 x 1/2
4	130840	Assembly, Brake	32	122051X	Arm, Support Idler, Mower
5	131251	Guide, Belt Idler	33	131560	Shield, Deflector
6	121316X	Idler, Flat	36	121980X	Rod, Hinge
7	72110616	Bolt, Carriage 3/8-16 x 2 Grade 5	37	123713X	Spring, Torsion Deflector
8	19131410	Washer 13/32 x 7/8 x 10 Gauge	38	105304X	Cap, Sleeve
9	127744	Assembly, Mower Idler Arm	39	19111016	Washer 11/32 x 5/8 x 16 Gauge
10	72140610	Bolt, Carriage 3/8-16 x 1-1/4	40	110452X	Nut, Push
11	130841	Rod, Brake	41	131264	V-Belt
12	127356	Bracket, Rear Lift, R.H.	42	19171616	Washer 11/32 x 5/8 x 16 Gauge
13	72140506	Bolt, Carriage 5/16-18 UNC x 5/8	43	163552	Clip, Hairpin
14	73680500	Nut, Crownlock 5/16-18	44	140608	Keeper, L.H.
15	127357	Bracket, Rear Lift, L.H.	45	110485X	Bearing
16	153298	Keeper, R.H.	46	128774	Housing, Mandrel, Vented
17	128508	Stabilizer, Mower Link	47	129895	Bearing
18	128511	Pin, Drive	48	137645	Shaft, Mandrel (Includes Key Number 47)
19	127380	Bracket, Stabilizer Link	49	133943	Washer, Hardened
20	138496	Blade, Mwr 36 High Lift	62	153390	Washer, Felt
21	140296	Washer, Hard Blade Mower Vented	--	130794	Mandrel Assembly (Includes Key Numbers 21-23, 26, 29 and 45-48)
22	10030600	Washer, Lock, Heavy 3/8	--	156866	Deck, Serv 36 HP
23	850857	Bolt 3/8-24 x 1-1/4 Grade 8			
24	140329	Stripper			
25	157722	Screw, Thdrol. Washer Hd			
27	156600	Housing, Mower			
28	153531	Pulley, Mandrel			

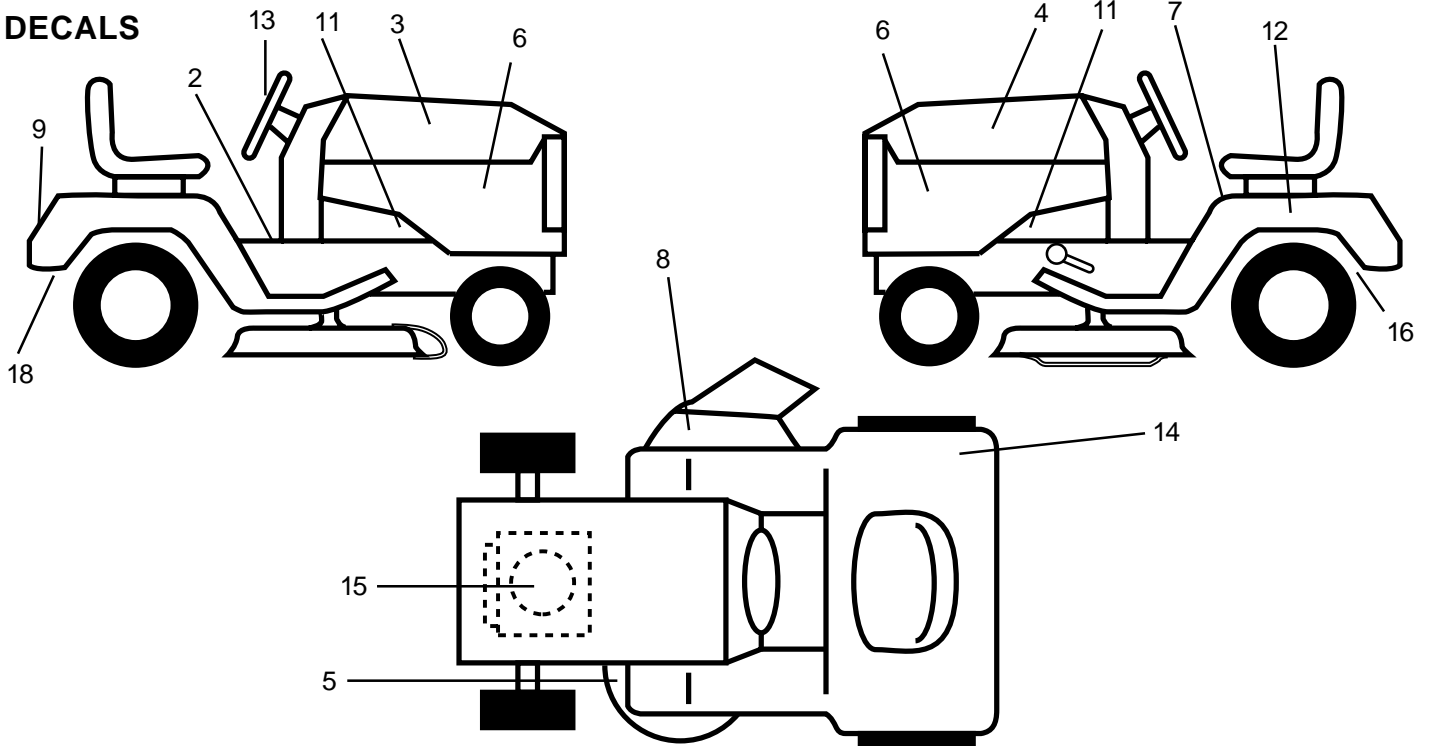
**NOTE:** All component dimensions given in U.S. inches  
1 inch = 25.4 mm.

**HARDWARE SHOWN LARGER FOR EASIER IDENTIFICATION**

# REPAIR PARTS

## TRACTOR - - MODEL NUMBER WEX115B36A

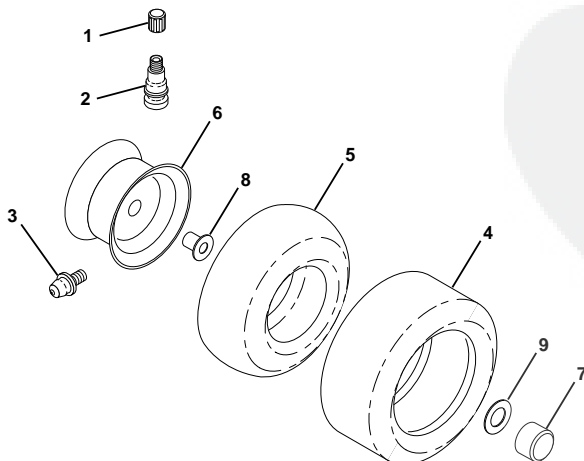
### DECALS



KEY NO.	PART NO.	DESCRIPTION
2	159739	Decal, Brake/Clu
3	164234	Decal, Hood, R.H.
4	164235	Decal, Hood L.H.
5	136830	Decal, V-Belt Sch.
6	169097	Decal, Pnl Side
7	145498	Decal, Read Owner's Manual Sym
8	145494	Decal, Cutfinger Sym
9	162395	Decal, Fender
11	159736	Decal, Chassis Hot Muffler
12	145005	Decal, Caution, Battery
13	162970	Decal, Insert, Steering
14	126187X	Decal 100 DbA

KEY NO.	PART NO.	DESCRIPTION
15	64-1723-29	Decal, Engine
16	162598	Decal, Drawbar Load Limit
18	145437	Decal, Europe, Stand, CE
--	138311	Decal, Handle, Lift
--	157065	Manual, Operator's, (Euro)
--	169084	Manual, Repair Parts
Available accessories are not included with your tractor:		
--	C36	Rear Bagger
--	MK360	Mulcher Kit

### TIRES & WHEELS



KEY NO.	PART NO.	DESCRIPTION
1	59192	Cap, Valve
2	65139	Stem, Valve
3	278H	Fitting, Grease (Front Only)
4	124142X	Tire, Front
	124143X	Tire, Rear
5	59904	Tube, Tire, Front
	(Optional, Service Item Only)	
	8134H	Tube, Tire, Rear
	(Optional, Service Item Only)	
6	137237X427	Rim Assembly, Front
	140325X427	Rim Assembly, Rear
7	104757X	Cap, Axle
8	9040H	Bearing, Flange (Front Only)
9	121748X	Washer, Axle Cap
--	144334	Sealant, Tire (10 oz. Tube)

**NOTE:** All component dimensions given in U. S. inches  
1 inch = 25.4 mm