



**REPAIR
PARTS MANUAL
MODEL NO. WZ15542RDA
Lawn Tractor**

WIZARD

HOW TO USE THIS MANUAL

This manual is designed to provide the customer with a means to identify the parts on his/her tractor when ordering repair parts. The illustrations may or may not represent the actual assemblies; therefore, it is not recommended to use this manual as a guide to assemble or disassemble the tractor. Some hardware and parts are drawn larger in order to more readily identify them.

Each tractor has its own model number.

The model number for your tractor can be found on the fender under the seat.

When ordering parts, always give the following information:

- Product - "Tractor"
- Model Number - "WZ15542RDA"
- Part Number
- Part Description

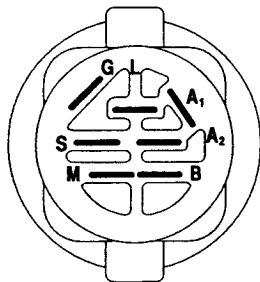
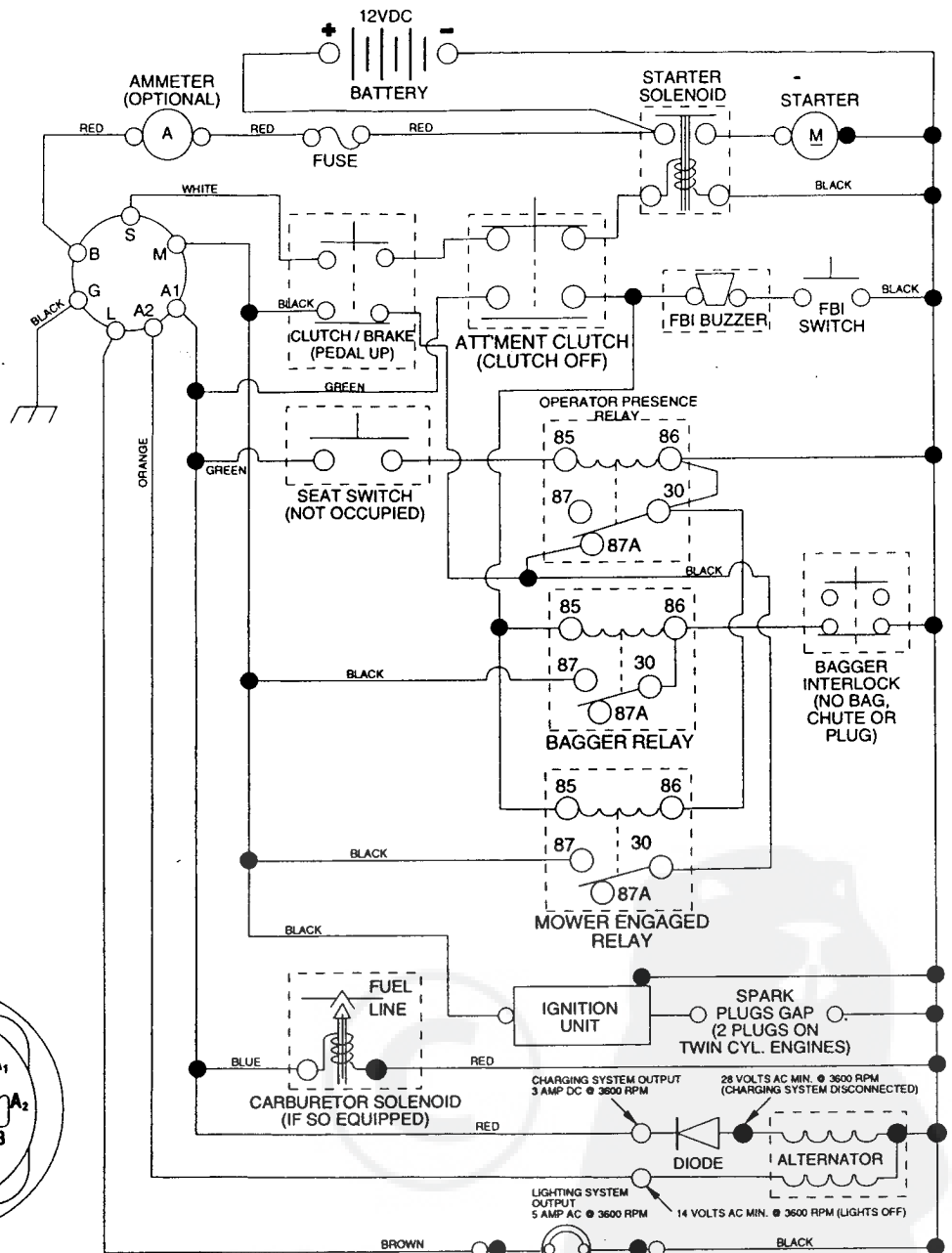
TABLE OF CONTENTS

SCHEMATIC.....	3
ELECTRICAL.....	4-5
CHASSIS.....	6-7
DRIVE.....	8-9
STEERING.....	10-11
SEAT.....	12
DECALS.....	13
ENGINE.....	14-15
MOWER LIFT.....	16-17
MOWER DECK.....	18-19
BAGGER.....	20-21
WARRANTY.....	23

REPAIR PARTS

TRACTOR- -MODEL NO. WZ15542RDA

SCHEMATIC



IGNITION SWITCH

POSITION	CIRCUIT	"MAKE"
OFF	M+G+A1	NONE
RUN/LIGHT	B+A1	A2+L
RUN	B+A1	NONE
START	B + S + A1	NONE

WIRING INSULATED CLIPS
NOTE: IF WIRING INSULATED CLIPS WERE REMOVED FOR SERVICING OF UNIT, THEY SHOULD BE REPLACED TO PROPERLY SECURE YOUR WIRING.

NON-REMOVABLE CONNECTIONS

REMOVABLE CONNECTIONS

PTO SWITCH

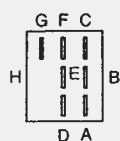
POSITION	CIRCUIT
OFF	C + G, B + H
ON	C + F, B + E, A + D

HEADLIGHTS

NOTE
YOUR TRACTOR IS EQUIPPED WITH A SPECIAL ALTERNATOR SYSTEM. THE LIGHTS ARE NOT CONNECTED TO THE BATTERY, BUT HAVE THEIR OWN ELECTRICAL SOURCE. BECAUSE OF THIS, THE BRIGHTNESS OF THE LIGHTS WILL CHANGE WITH ENGINE SPEED. AT IDLE THE LIGHTS WILL DIM. AS THE ENGINE IS SPEEDED UP, THE LIGHTS WILL BECOME THEIR BRIGHTEST.



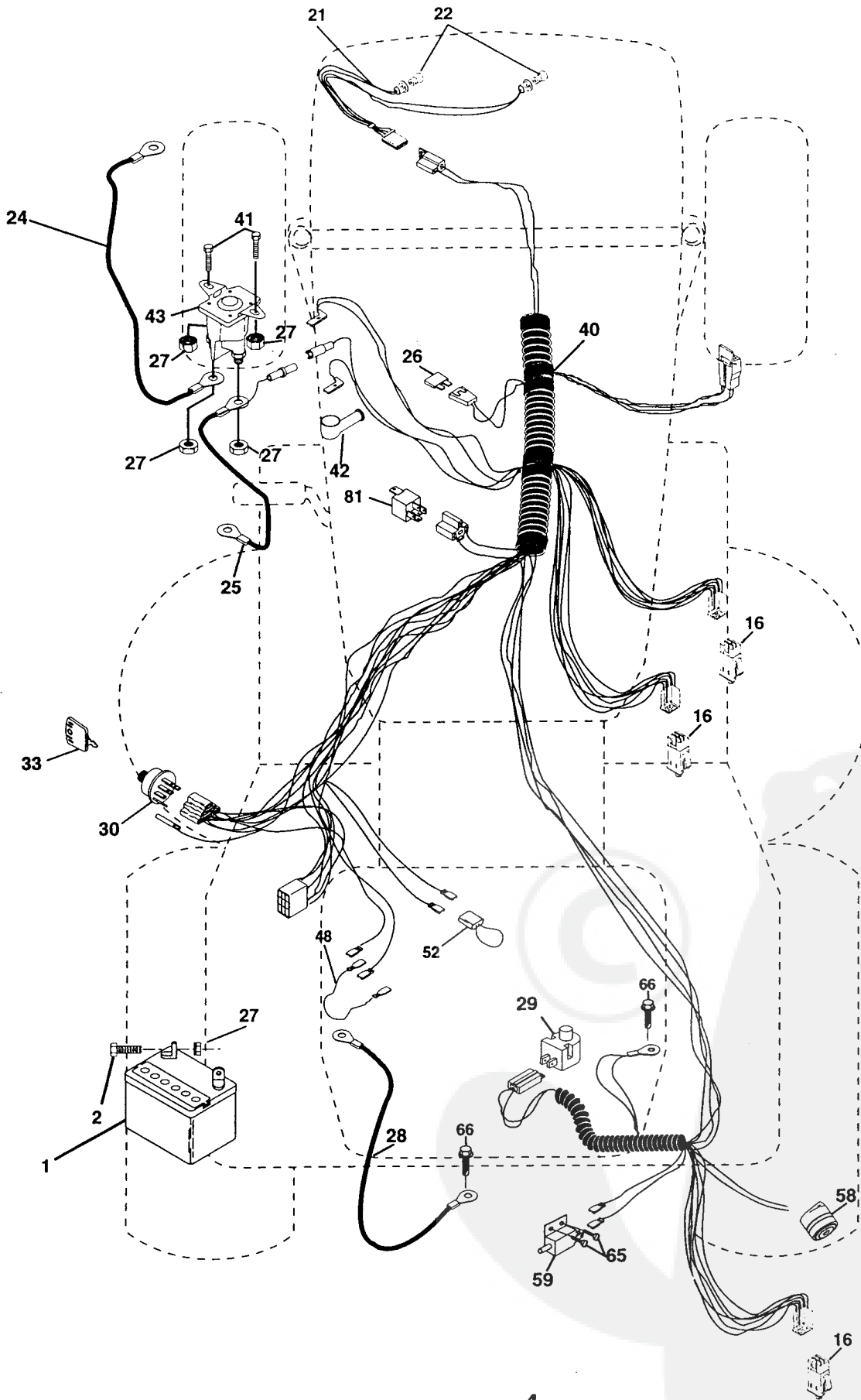
RELAY



REPAIR PARTS

TRACTOR- -MODEL NO. WZ15542RDA

ELECTRICAL



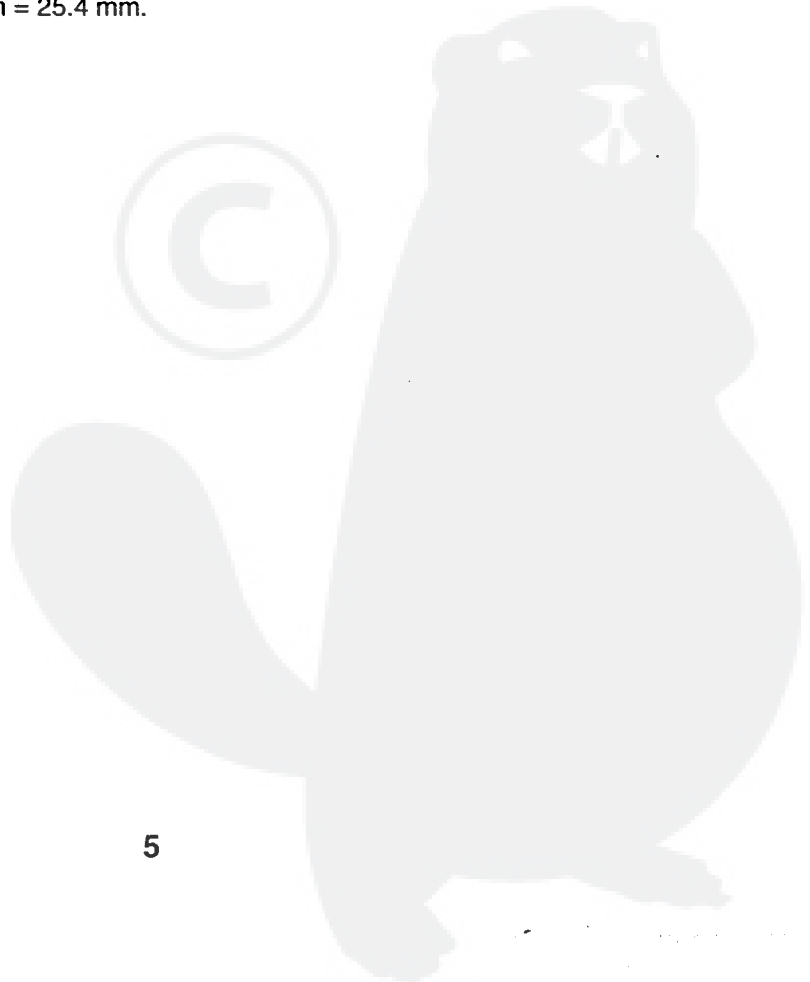
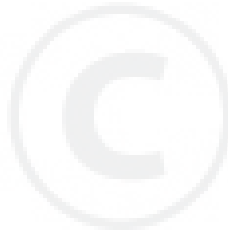
REPAIR PARTS

TRACTOR- -MODEL NO. WZ15542RDA

ELECTRICAL

KEY NO.	PART NO.	DESCRIPTION
1	144925	Battery 12 Volt 25 AMP Wet
2	74760412	Bolt Hex Hd 1/4-20 Unc X 3/4
16	153664	Switch Interlock Push-In
21	166181	Harness Asm Light W/4152J
22	4152J	Bulb Light #1156
24	4799J	Cable Battery 6 Ga 11" Red
25	165987	Cable Battery Crd 56" Red
26	166180	Fuse 15 Amp
27	73510400	Nut Keps Hex 1/4-20 Unc
28	127725X	Cable Ground 6Ga 18" Black
29	160784	Switch Plunger Normal Op Olive
30	163968	Switch Ignition
33	140401	Key Ign Molded
40	170164	Harness Ign Crd Noram
41	71110408	Bolt Flk Fin Hex 1/4-20 Unc X 1/2
42	131563	Cover Terminal Red
43	145673	Solenoid
48	140844	Adapter Ammeter Rectangular
52	141940	Protection Wire Loop
58	169419	Buzzer Crd
59	166299	Switch FBI CRD
65	17211008	Screw Slftp #10-16 x 1/2 Ty-Ab
66	17490608	Screw Thdrol 3/8-16 x 1/2 Ty-Tt
81	109748X	Relay Asm

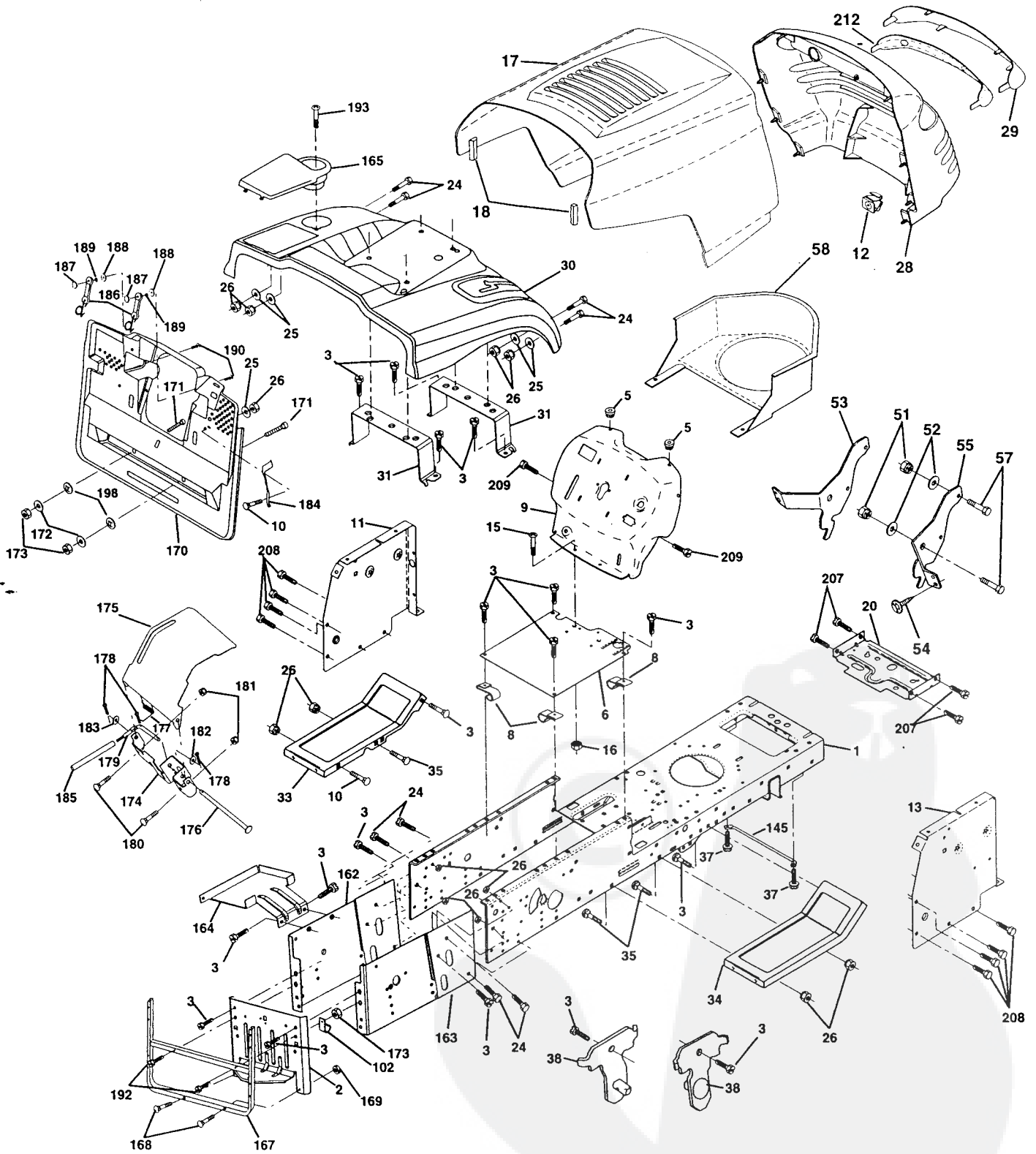
NOTE: All component dimensions given in U.S. inches.
1 inch = 25.4 mm.



REPAIR PARTS

TRACTOR- -MODEL NO. WZ15542RDA

CHASSIS AND ENCLOSURES



REPAIR PARTS

TRACTOR- -MODEL NO. WZ15542RDA

CHASSIS AND ENCLOSURES

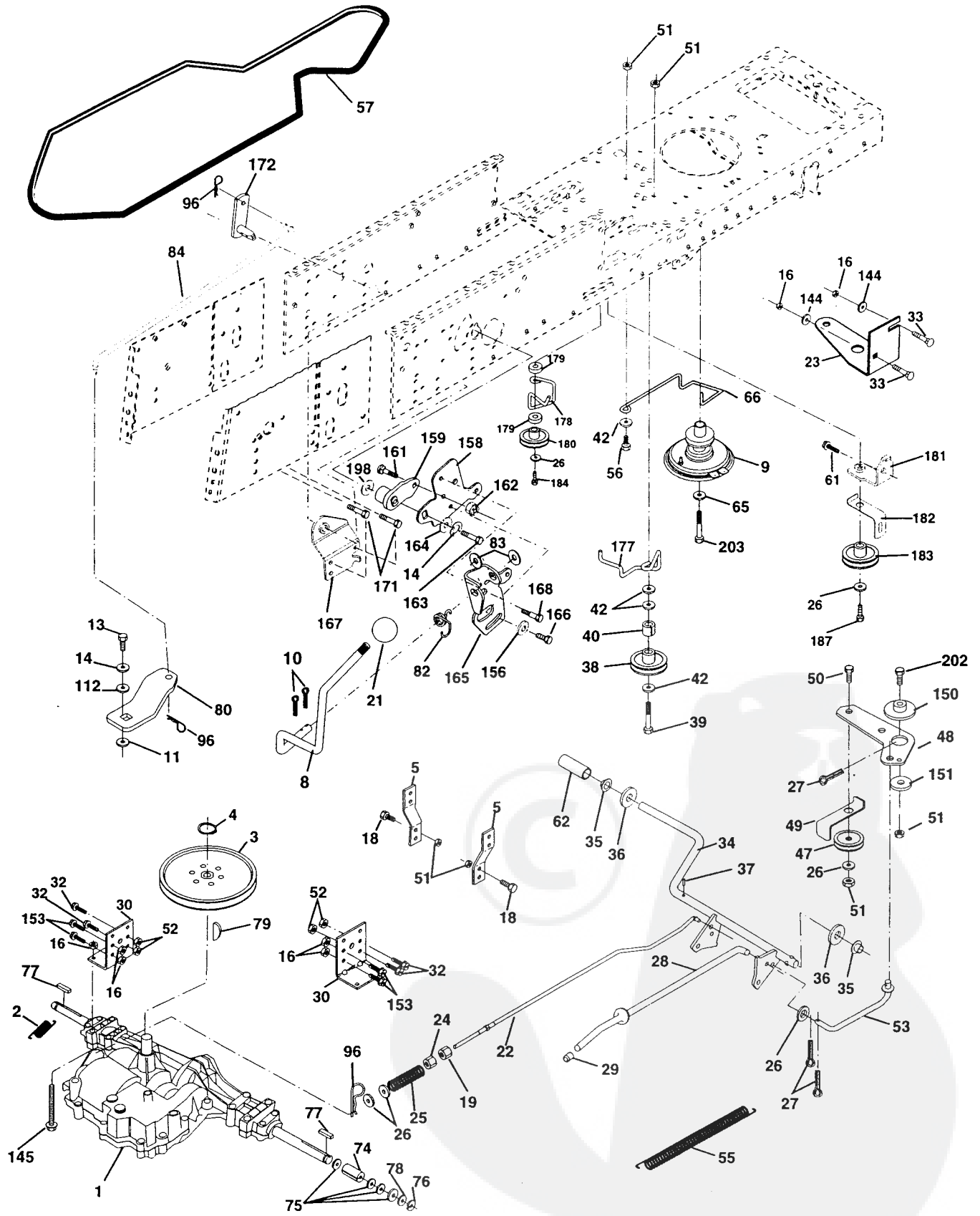
KEY NO.	PART NO.	DESCRIPTION	KEY NO.	PART NO.	DESCRIPTION
1	169831	Chassis Stamping	163	165673	Bracket Exten Chassis Rh CRD
2	165606	Drawbar	164	165605	Support Battery CRD
3	17060612	Screw 3/8-16 x 3/4	165	165742X428	Cover Battery CRD Lt
5	155272	BumperHood/Dash	167	165779	Support Asm. Backplate WLDMNT
6	155923	Saddle	168	72050412	Bolt, RDHD SHT NK 1/4-20 x 1-1/2
8	126471X	Clip Insulator 13/32 Mtg. Hole	169	123976X	Nut, Lock 1/4 LGE FLG Gr. 5 Zinc
9	168347X011	Dash	170	165607	Cover, Backplate Plastic Black
10	72140608	Bolt, Carriage 3/8-16 x 3/4	171	74520640	Bolt Hex 3/8-16 x 2-1/2 Gr 5
11	155927	Panel, Dash, L.H.	172	19132016	Washer 13/32 x 1-1/4 x 16 Ga.
12	145660	Clip Tinnerman Grille P/L	173	73510600	Nut, Keps Hex 3/8-16 UNC
13	172107X010	Panel, Asm. Dash R.H.	174	165939	Bracket Switch FBI CRD
15	74180512	Screw, Machine, Truss Head 5/16-18 UNC x 3/4	175	166212	Guard Door Rear CRD
16	73510500	Nut	176	128600	Pin Hinge Pivot
17	159639X505	Hood Assembly	177	132796	Spring Bagger Top LH Black
18	126938X	BumperHood	178	76020312	Pin Cotter 3/32 x 3/4 Cad Zinc
20	156437	Plate Mtg. Battery/Fuel Tank	179	165942	Rod Pivot FBI CRD
24	74780616	Bolt	180	74760516	Bolt Hex HD 5/16-18 UNC x 1
25	19131312	Washer 13/32 x 13/16 x 12 Gauge	181	73680500	Nut Crownlock 5/16-18
26	73800600	Nut	182	138200	Washer .385 x .625 x 11 Ga.
28	157373	Grille PL	183	19131316	Washer 13/32 x 13/16 x 16 Ga.
29	140273X599	Lens, Grille	184	166139	Bracket Actuator Bagger CRD
30	165714X505	Fender	185	165940	Tube Lever Switch FBI CRD
31	165156	Bracket, Fender Support	186	160793	Latch Asm Mulch/Bagger
33	145244X505	Footrest, L.H.	187	2029J	Nut Weld
34	145243X505	Footrest, R.H.	188	19061216	Washer #10
35	72110606	Bolt	189	10071000	Washer Lock #10
37	17490508	Screw Thdrol 5/16-18 x 1/2 TYT	190	71161010	Washer Truss Hd Phil 10-24 x 5/8
38	169834	Bracket Asm Pivot Mower Rear	192	17490624	Screw Thdrol 3/8-16 x 1-1/2
51	73800400	Nut Lock w/Insert 1/4-20 UNC	193	17070412	Screw Truss 1/4-20 x 3/4 Tap/R
52	19091416	Washer 9/32 x 7/8 x 16 Ga.	198	168937	Nut, Push
53	144697	Bracket Grille LH	207	17670508	Screw Thdrol 5/16-18 x 1/2
54	161464	Screw Hex Wshd 8-18 x 7/8	208	17670608	Screw Thdrol 3/8-16 x 1/2
55	144696	Bracket Grille RH	209	17000612	Screw Hexwsh Thdr 3/8-16 x 3/4
57	74780412	Bolt, Fin Hex 1/4-20 UNC x .75	212	156229	Insert Lens Reflect
58	150127	Duct Air Engine PL/LT	--	5479J	Plug, Button
102	2751R	Clip Line Fuel 13/32 Mtg. Hole			
145	156524	Rod Pivot Chassis/Hood			
162	165672	Bracket Exten Chassis Lh CRD			

NOTE: All component dimensions given in U.S. inches.
1 inch = 25.4 mm.

REPAIR PARTS

TRACTOR- -MODEL NO. WZ15542RDA

DRIVE



REPAIR PARTS

TRACTOR- -MODEL NO. WZ15542RDA

DRIVE

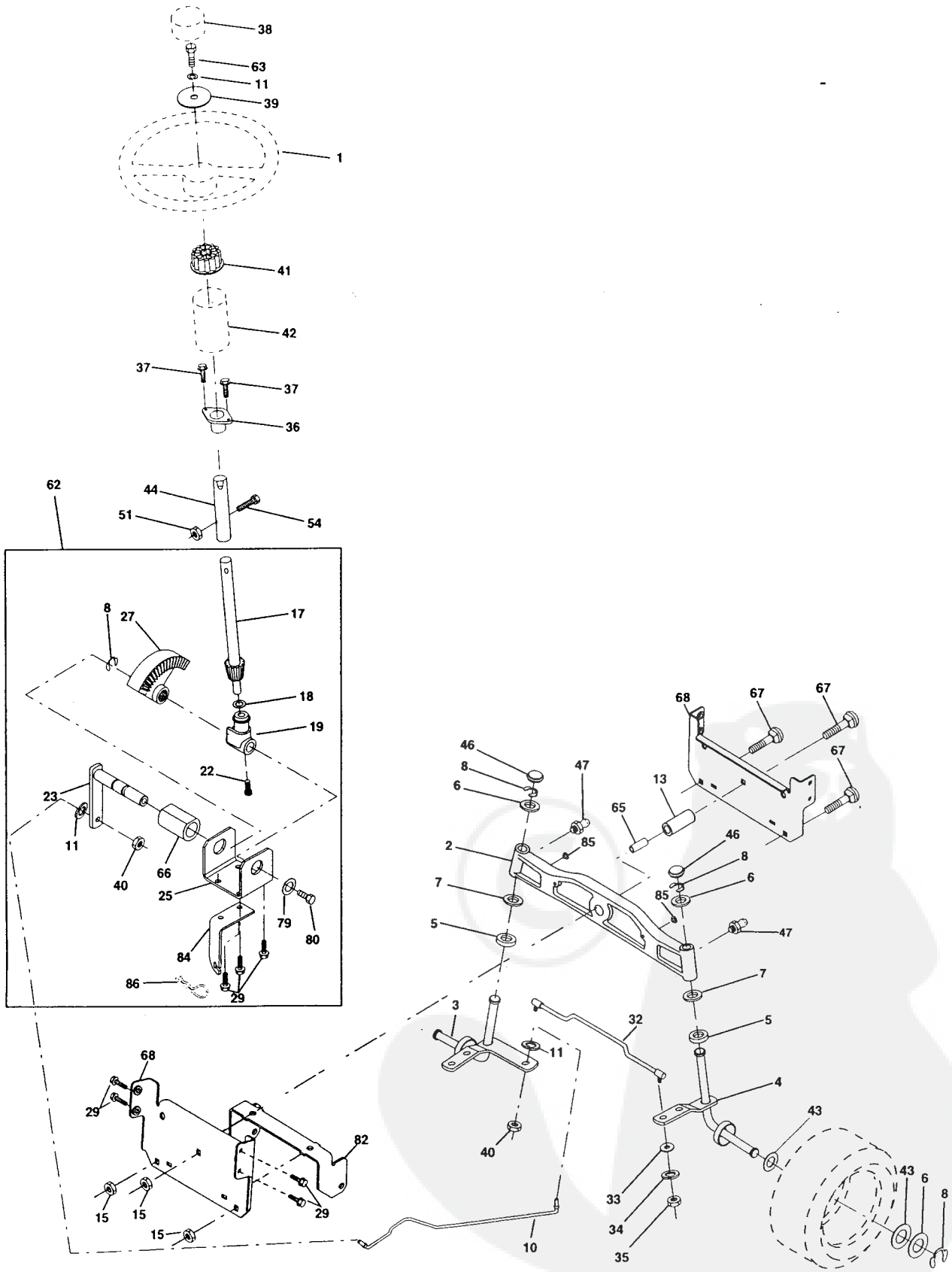
KEY NO.	PART NO.	DESCRIPTION	KEY NO.	PART NO.	DESCRIPTION
1	-----	Transaxle Peerless 206-546 (Order parts from transaxle manufacturer)	62	8883R	Cover, Pedal
2	146682	Spring Brake Return	65	10040700	Washer
3	165999	Pulley Transaxle	66	154778	Keeper, Belt Engine F-Proof
4	12000028	Ring Retainer #5100-62	74	137057	Spacer Axle
5	121520X	Strap torque 30 degrees	75	121749X	Washer 25/32 x 1-1/4 x 16 Ga.
8	165619	Rod Shift Fender Adjust Lt	76	12000001	Ring, E
9	170163	Clutch Asm Noram	77	123583X	Key, Square
10	76020416	Pin, Cotter 1/8 x 1	78	121748X	Washer 25/32 x 1-5/8 x 16 Ga.
11	105701X	Washer Plate Shf .3888 sq hole	79	2228M	Key Woodruff
13	74550412	Bolt 1/4-28 Unf Gr 8 w/patch	80	145090	Arm Shift PMST 20" Tires
14	10040400	Washer, Lock Hvy Helical	82	123782X	Spring, Torsion
16	73800500	Nut, Lock Hex w/lns 5/16-18 UNC	83	19171216	Washer 17/32 x 3/4 x 16 Ga.
18	74780616	Bolt Hex 3/8-16 UNC x 1 Gr.5	84	165621	Link Shift CRD Pmst 18" Tires
19	73800600	Nut, Lock Hex w/Wsh 3/8-16 UNC	96	4497H	Spring, Retainer 1"
21	106933X	Knob Rd 1/2-13 Plstc Thds Blk	112	19091210	Washer 9/32 x 3/4 x 10 Ga.
22	165811	Rod, Brake CRD	145	74490540	Bolt Hex FGHD 5/16-18 x Gr 5
23	170017	Bracket Pnt Clutch Noram	144	19111016	Washer 11/32 x 5/8 x 16
24	73350600	Nut	150	165850	Bushing, Bellcrank Grnd Dr
25	106888X	Spring, Rod, Brake	151	19133210	Washer 13/32 x 2 x 10 Ga.
26	19131316	Washer 13/32 x 13/16 x 16 Ga.	153	74760516	Bolt Hex Hd 5/16-18 Unc x 1
27	76020412	Pin, Cotter 1/8 x 3/4	156	166002	Washer Sred 5/16 ID x 1.125
28	145204	Rod, Parking Brake	158	165589	Bracket Shift Mount
29	71673	Cap, Parking Brake	159	165494	Hub Tapered Flange Shift Lt
30	130807	Bracket, Mfg. Transaxle	161	72140406	Bolt Rdhd Sqnk 1/4-20 x 3/4 Gr 5
32	74760512	Bolt Hex 5/16-18 UNC x 3/4	162	73680400	Nut Crownlock 1/4-20 Unc
33	72140506	Bolt Rdhd Sqnk 5/16-18 Unc x 3/4	163	74780416	Bolt Hex Fin 1/4-20 Unc x 1 Gr 5
34	165496	Shaft, Asm Pedal Foot CRD	164	19091010	Washer 5/8 x .281 x 10 Ga.
35	120183X	Bearing, Nylon	165	165623	Bracket Pivot Lever
36	19211616	Washer 21/32 x 1 x 16 Ga.	166	166880	Screw 5/16-18 x 5/8
37	1572H	Pin, Roll 3/16 x 1"	167	165588	Bracket Support Shift CRD
38	165936	Pulley, Flat	168	165492	Bolt Shoulder 5/16-18 x .561
39	72110622	Bolt Rdhd 3/8-16 Unc x 2-3/4 Gr. 5	171	17490608	Screw Thdrol 3/8-16 x 1/2 Ty-Tt
40	4470J	Spacer, Split 395 x 59 Bzp	172	165635	Shaft Asm Shift Front CRD PMST
42	19131312	Washer 13/32 x 13/16 x 12 Ga.	177	165932	Keeper Flat Idler 3.06" CRD
47	127783	Pulley, Idler, V Groove Plstic	178	165933	Keeper Belt Idler 1.88" CRD
48	154407	Bellcrank Clutch Grnd Drv	179	120958X	Washer Sintered
49	123205X	Retainer, Belt Style Spring	180	165630	Pulley Flat Idler
50	74760624	Bolt Hex Hd 3/8-16 UNC x 1-1/2	181	165797	Bracket Idler Ground Drive CRD
51	73680600	Nut, Crownlock 3/8-16 UNC	182	165634	Keeper Belt 2.5" Od V-Idler CRD
52	73680500	Nut Crownlock 5/16-18	183	165626	Pulley V-Idler 2.50" Od CRD
53	105710X	Link, Clutch 7.66	184	17490644	Screw Hexwsh Thdrol 3/8-16 x 2-3/4
55	105709X	Spring, Return, Clutch	187	17490620	Screw Thdrol 3/8-16 x 1-1/4
56	74760620	Bolt, Hex 3/8-16 UNC x 1-1/4	198	169593	Washer Nyl 7/8 ID x .105" Hyd CRD
57	165631	V-Belt Kev PMST CRD	202	72110612	Bolt Carr Sh 3/8-16 x 1-1/2 Gr. 5
61	17060612	Screw 3/8-16 x 3/4	203	71170780	Bracket Pnt Clutch Noram

NOTE: All component dimensions given in U.S. inches
1 inch = 25.4 mm

REPAIR PARTS

TRACTOR- -MODEL NO. WZ15542RDA

STEERING ASSEMBLY



REPAIR PARTS

TRACTOR- -MODEL NO. WZ15542RDA

STEERING ASSEMBLY

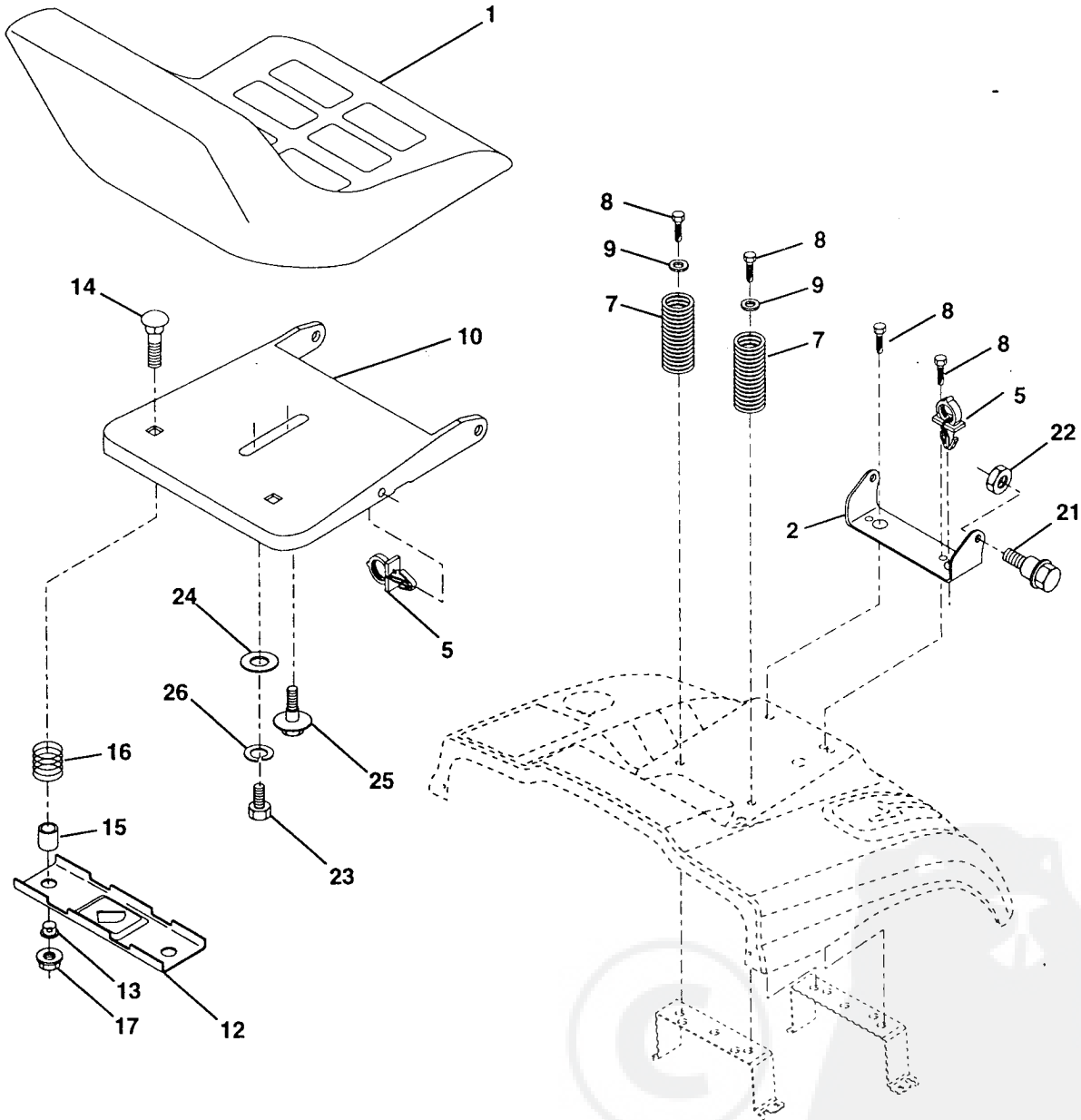
KEY NO.	PART NO.	DESCRIPTION
1	140044	Steering Wheel
2	165854	Cast Lt Machined
3	169840	Spindle Assembly, L.H.
4	169839	Spindle Assembly, R.H.
5	6266H	Washer, Thrust .75 x 1.230
6	121748X	Washer 25/32 x 1-5/8 x 16 Gauge
7	19272016	Washer 27/32 x 1-1/4 x 16 Gauge
8	12000029	Ring, Klip
10	169832	Link, Drag
11	10040600	Washer, Lock
13	136518	Spacer Brg Axle Front
15	145212	Nut, Hex Flange Lock
17	156546	Shaft Assembly, Steering
18	57079	Washer, Thrust .515 x .750 x .033
19	160395	Support, Shaft
22	165857	Screw Hex Wshhd Torx
23	165851	Pittman Shaft Assembly
25	154406	Bracket, Steering
27	136874	Gear, Sector
29	17060612	Screw 3/8-16 x 3/4
32	170162	Rod, Tie
33	19111216	Washer 11/32 x 3/4 x 16 Ga
34	10040500	Washer Lock Hvy Hlcl Spr 5/16
35	73810500	Locknut 5/16-24 Unf
36	155099	Bushing, Steering
37	152927	Screw TT #10-32 x 5 x 3/8 Flange
38	140045	Cap Wheel Steering
39	19133812	Washer 13/32 x 2-3/8 x 12 Gauge
40	7810H	Nut Lock Center 3/8-24 Unf
41	100711L	Adaptor, Steering Wheel
42	145054X428	Boot, Steering Dash P/L Mtl
43	121749X	Washer 25/32 x 1-1/4 x 16 Gauge
44	153720	Extension Steering Non-Adjust
46	121232X	Cap, Spindle
47	6855M	Fitting, Grease
51	7380050	Nut Lock Hx W/Ins 5/16-18 UNC
54	74780520	Bolt Fin Hex 5/16-18 UNC x 1-1/4
62	167902	Kit, Steering Assembly, Service
63	74780616	Bolt Fin Hex 3/8-16 unc. x 1 Gr. 5
65	160367	Spacer Brace Axle
66	154404	Bearing Arm Pittman
67	72140618	Bolt Rdhd Sqnk 3/8-16unc x 2-1/4
68	169827	Brace Axle
79	19132012	Washer 13/32 x 1-1/4 x 12 Ga
80	74950612	Bolt Hex Nylon 3/8-16 x 3/4
82	169835	Bracket Susp Chassis Front 15"
84	170016	Bracket Cable Clutch Chassis
85	133835	Fastener Christmas Tree
86	165898	Retainer Spring

NOTE: All component dimensions given in U.S. inches.
1 inch = 25.4 mm.

REPAIR PARTS

TRACTOR- -MODEL NO. WZ15542RDA

SEAT ASSEMBLY



KEY NO.	PART NO.	DESCRIPTION
1	127428	Seat
2	140551	Bracket Pnt Pivot Seat (blk)
5	145006	Clip Push In Hinged
7	124181X	Spring Seat Cprsn 2 250 Blk Zi
8	17000616	Screw 3/8-16 X 1-1/2
9	19131614	Washer 13/32 X 1 X 14 Ga
10	155925	Pan Pnt Seat (blk)
12	121246X	Bracket Pnt Mounting Switch
13	121248X	Bushing Snap Blk Nyl 50 Id
14	72050412	Bolt Rdhd Sht Nk 1/4-20x1-1/2

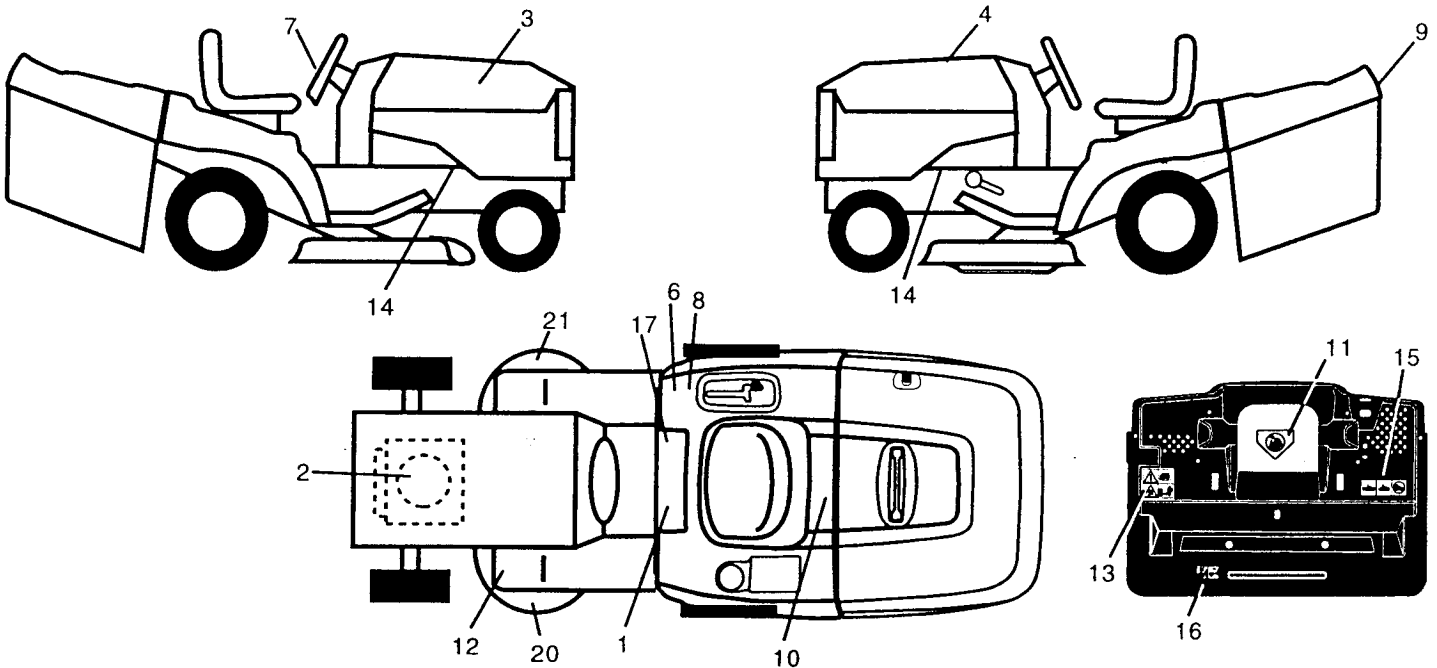
KEY NO.	PART NO.	DESCRIPTION
15	134300	Spacer Split
16	121250X	Spring Cprsn Plate SW 1.310 Ga
17	123976X	Nut Lock 1/4 Lge Flg Gr 5 Zinc
21	171852	Bolt Shoulder 5/16-18 Unc-2A
22	73800500	Nut Hex Lock w/Ins 5/16-18
23	74780814	Bolt Fin Hex 1/2-13 x 7/8 Gr 5
24	19171912	Washer 17/32 X 1-3/16 X 12 Ga.
25	127018X	Bolt Shoulder 5/16-18 X 62
26	10040800	Washer Lock Hvy Hlcl Spr 1/2

NOTE: All component dimensions given in U.S. inches.
1 inch = 25.4 mm

REPAIR PARTS

TRACTOR- -MODEL NO. WZ15542RDA

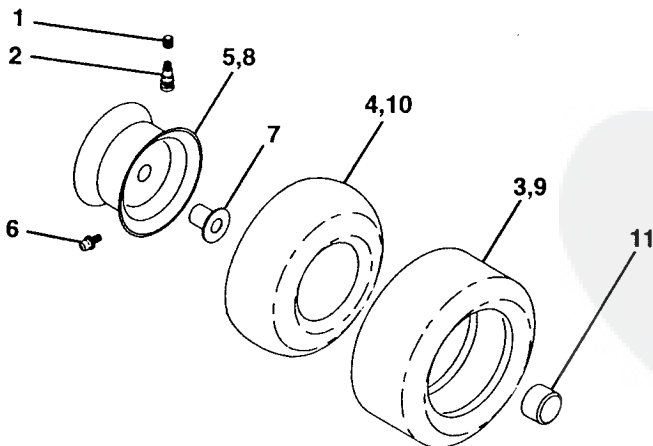
DECALS



KEY NO.	PART NO.	DESCRIPTION
1	145498	Decal Read Owner's Manual Sym
2	171921	Decal Hp Engine
3	172721	Decal Hood Rh
4	172722	Decal Hood Lh
6	126187X	Decal 100 DBA
7	167108	Decal Ins Strg Whl
8	145437	Decal Europe Stand Ce
9	163769	Decal Fender Logo
10	145005	Decal Bat Dan/Poi P/L Sym Wpn
11	145494	Decal Mower Cut Finger Symbol
12	159737	Decal Brake/Clutch Symbol Lt
13	166959	Decal Warn Back Plate CRD

KEY NO.	PART NO.	DESCRIPTION
14	159736	Decal Chassis Hot Muffler
15	166961	Decal Oper Bag Presence CRD
16	162598	Decal Drawbar Load Limit
17	140837	Decal Saddle Brake Parking
20	166286	Decal Deck Sch
21	166286	Decal Deck Sch 92 CRD
--	133671	Pad, Footrest
--	138311	Decal Lift Handle
--	172731	Manual Operator's (Euro)
--	172732	Manual Operator's (Scan)
--	172733	Manual Parts

WHEELS & TIRES



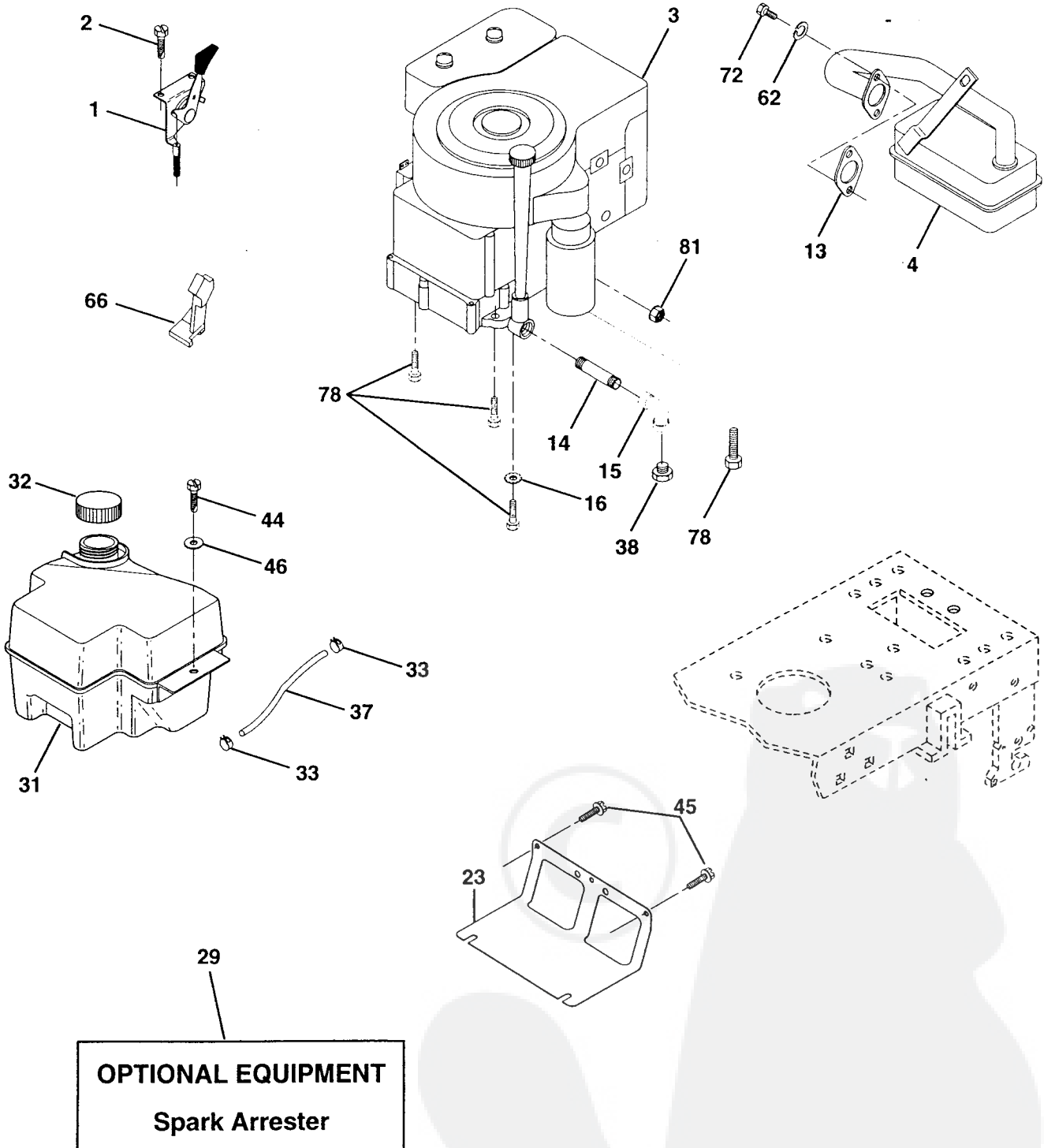
KEY NO.	PART NO.	DESCRIPTION
1	59192	Cap Value Tire
2	65139	Stem Value
3	106222X	Tire F Ts 15 X 6 0 - 6 Service
4	59904	Tube Inner Front #35060
5	106732X427	Rim Asm 6"front Service
6	278H	Fitting Grease
7	9040H	Bearing Flange
8	106108X427	Rim Asm 8"rear Service
9	124635X	Tire R Ts 18 x 8.5-8 Service
10	7152J	Tube Rear 9 5 X 8 Service
11	104757X	Cap Axle Blk 1 50 X 1 00
--	144334	Sealant, Tire (10 oz. tube)

NOTE: All component dimensions given in U.S. inches
1 inch = 25.4 mm

REPAIR PARTS

TRACTOR- -MODEL NO. WZ15542RDA

ENGINE



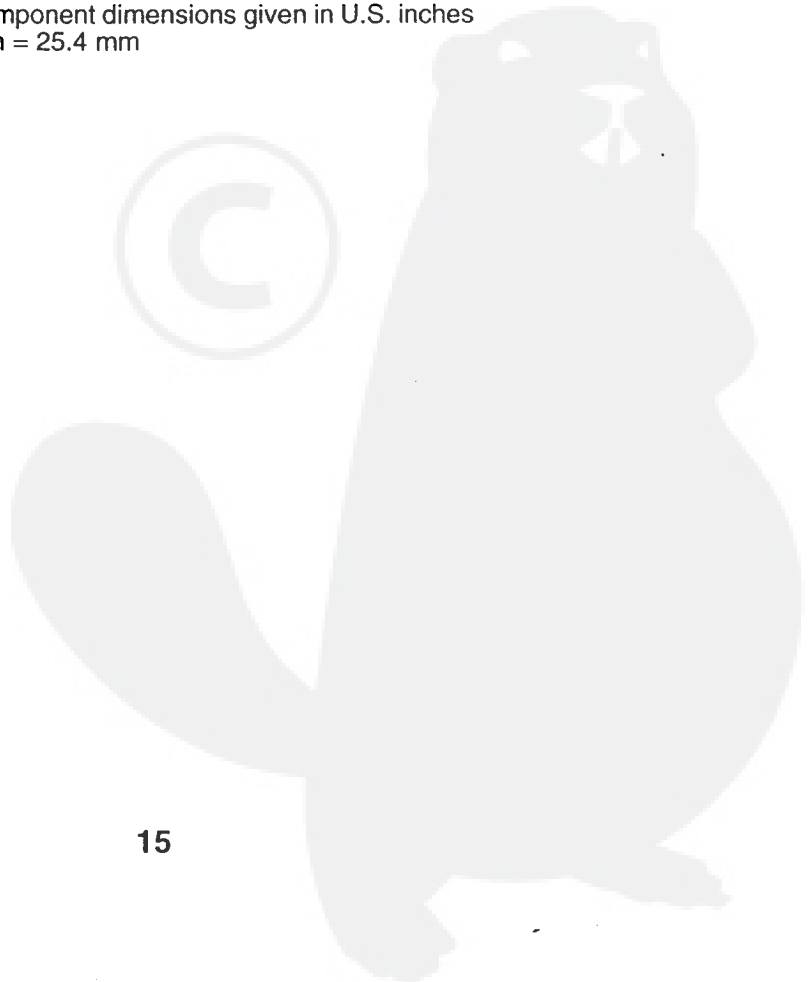
REPAIR PARTS

TRACTOR- -MODEL NO. WZ15542RDA

ENGINE

KEY NO.	PART NO.	DESCRIPTION
1	141359	Control Throt/Ch Lh
2	17720410	Screw Hex Thd Cut 1/4-20x5/8 T
3	-----	Engine Briggs Model 28U707 (Order Parts from Engine Manufacturer)
4	137352	Muffler Exhaust B&S Lt
13	165291	Gasket 1 313 Id Tin Plated
14	13280324	Nipple Pipe 3/8 Npt X 3"
15	13200300	Elbow Std 90 Degree 3/8-18 Npt
16	11050600	Washer Lock Ext Tooth 3/8
23	169837	Shield Browning/Debris Guard
29	137180	Arrestor Spark
31	161911	Tank Fuel 2.00 Fr
32	140527	Cap Asm Fule Top Vent N/Lany
33	123487X	Clamp Hose Blk
37	137040	Line Fuel 20"
38	-----	Plug Oil Drain (Order From Engine Manufacturer)
44	17670412	Screw Hexwsh Thdrol 1/4-20 x 3/4
45	17000612	Screw Hexwsh Thdr 3/8-16 x 3/4
46	19091416	Washer 9/32 X 7/8 X 16ga
62	10040500	Washer Lock Hvy Hlcl Spr 5/16
66	127951	Stop Throttle 3000 Rpm
72	71070512	Screw Hexhd Cap 5/16-18 x 3/4
78	17060620	Screw 3/8-16x1-1/4
81	73510400	Nut Keps Hex 1/4-20 Unc

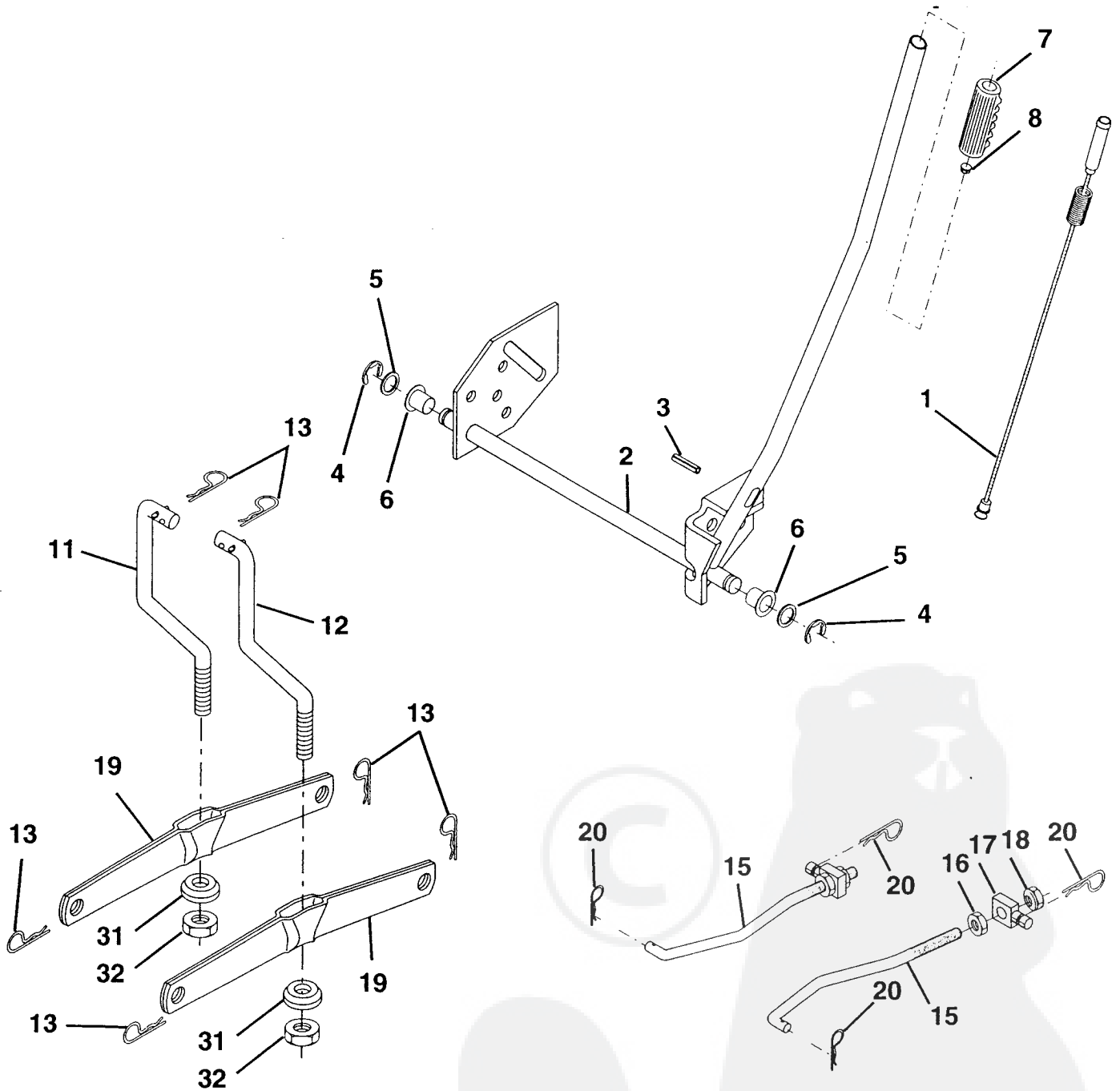
NOTE: All component dimensions given in U.S. inches
1 inch = 25.4 mm



REPAIR PARTS

TRACTOR- -MODEL NO. WZ15542RDA

MOWER LIFT



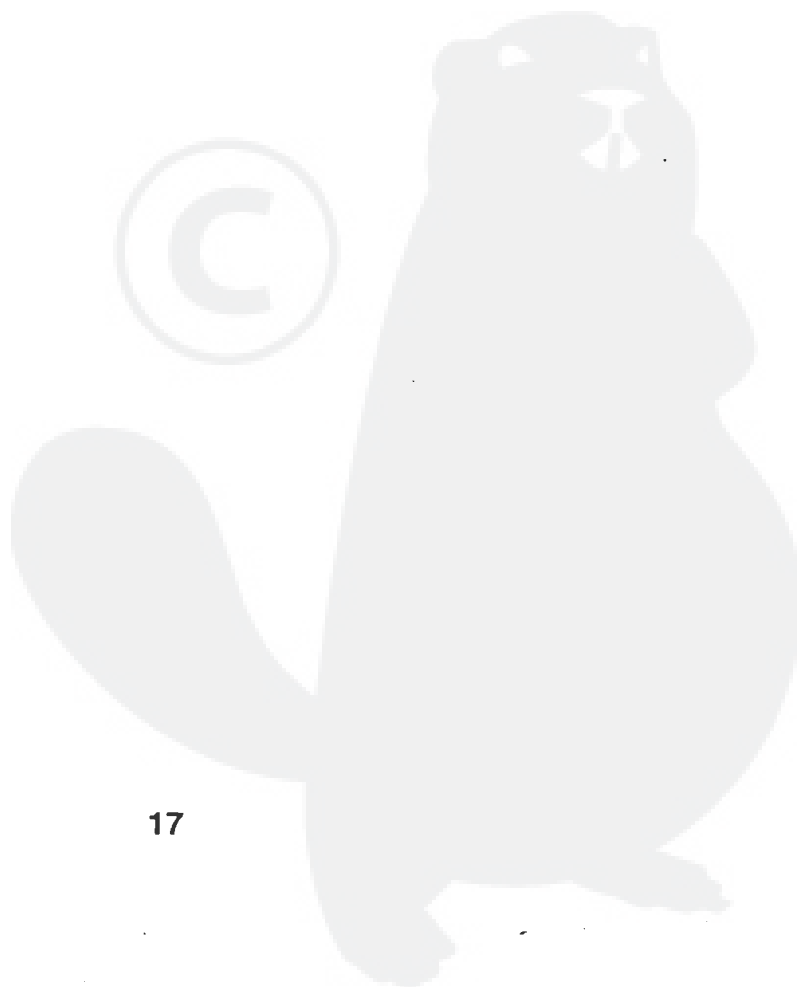
REPAIR PARTS

TRACTOR- -MODEL NO. WZ15542RDA

MOWER LIFT

KEY NO.	PART NO.	DESCRIPTION
1	159460	Washer Asm Inner Spring W/Plunger
2	159471	Shaft Asm. Lift
3	105767X	Pin Groove
4	12000002	E Ring #5133-62
5	19211621	Washer 21/32 x 1 x 21 Ga.
6	120183X	Bearing Nylon
7	109413X	Grip Handle
8	124526X	Button Plunger Black
11	165829	Link Asm Lift L.H.
12	165831	Link Asm Lift R.H.
13	4939M	Retainer Spring
15	167253	Link Front
16	73350800	Nut Jam Hex 1/2-13 Unc
17	130171	Trunnion Blk Zinc
18	73800800	Nut Lock w/Wsh 1/2-13 Unc
19	139868	Arm Suspension Mower
20	163552	Retainer Spring
31	140302	Bearing, Pvt. Lift. Spherical
32	73540600	Nut Crownlock 3/8-24

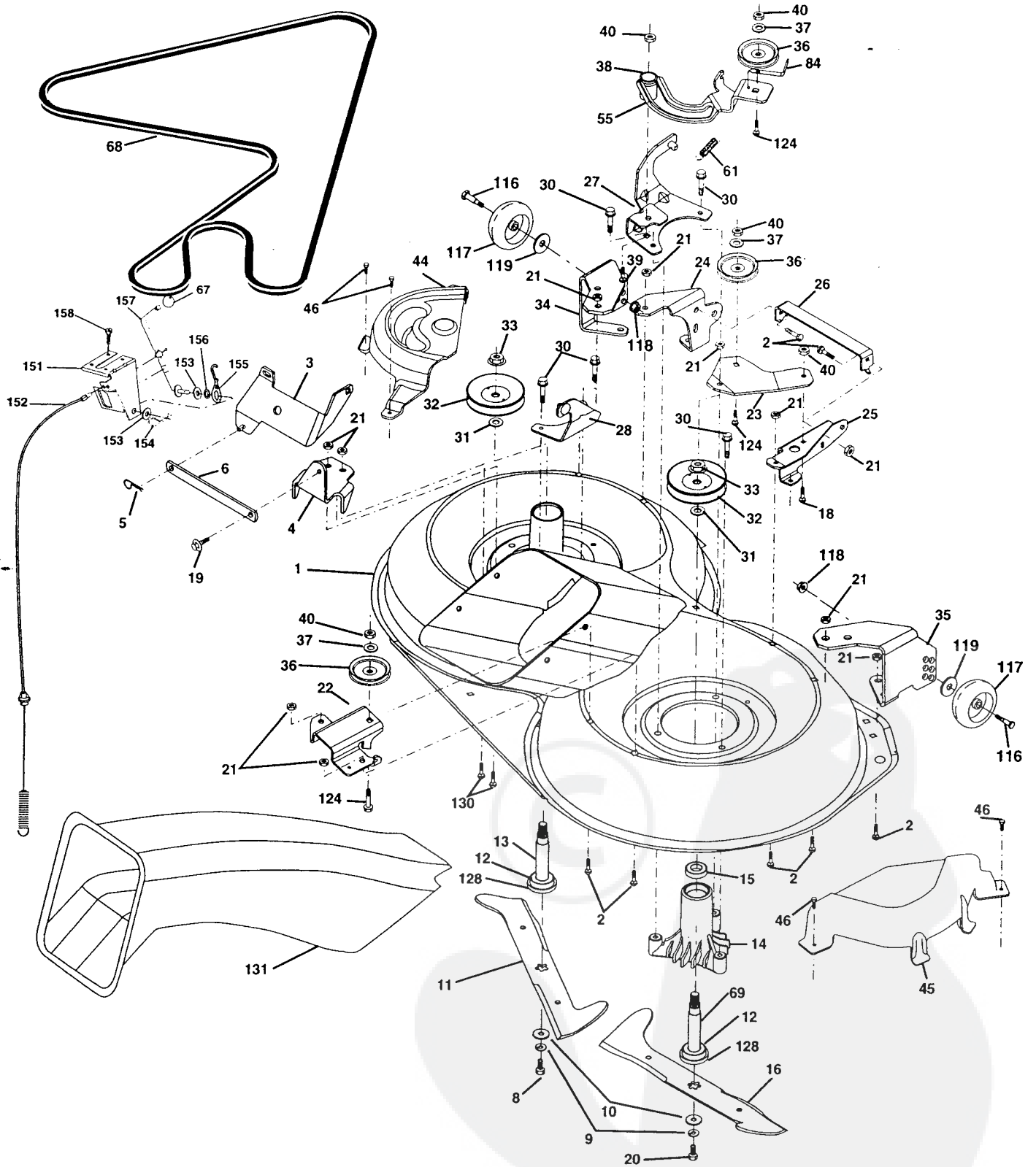
NOTE: All component dimensions given in U.S. inches
1 inch = 25.4 mm



REPAIR PARTS

TRACTOR- -MODEL NO. WZ15542RDA

MOWER



REPAIR PARTS

TRACTOR- -MODEL NO. WZ15542RDA

MOWER

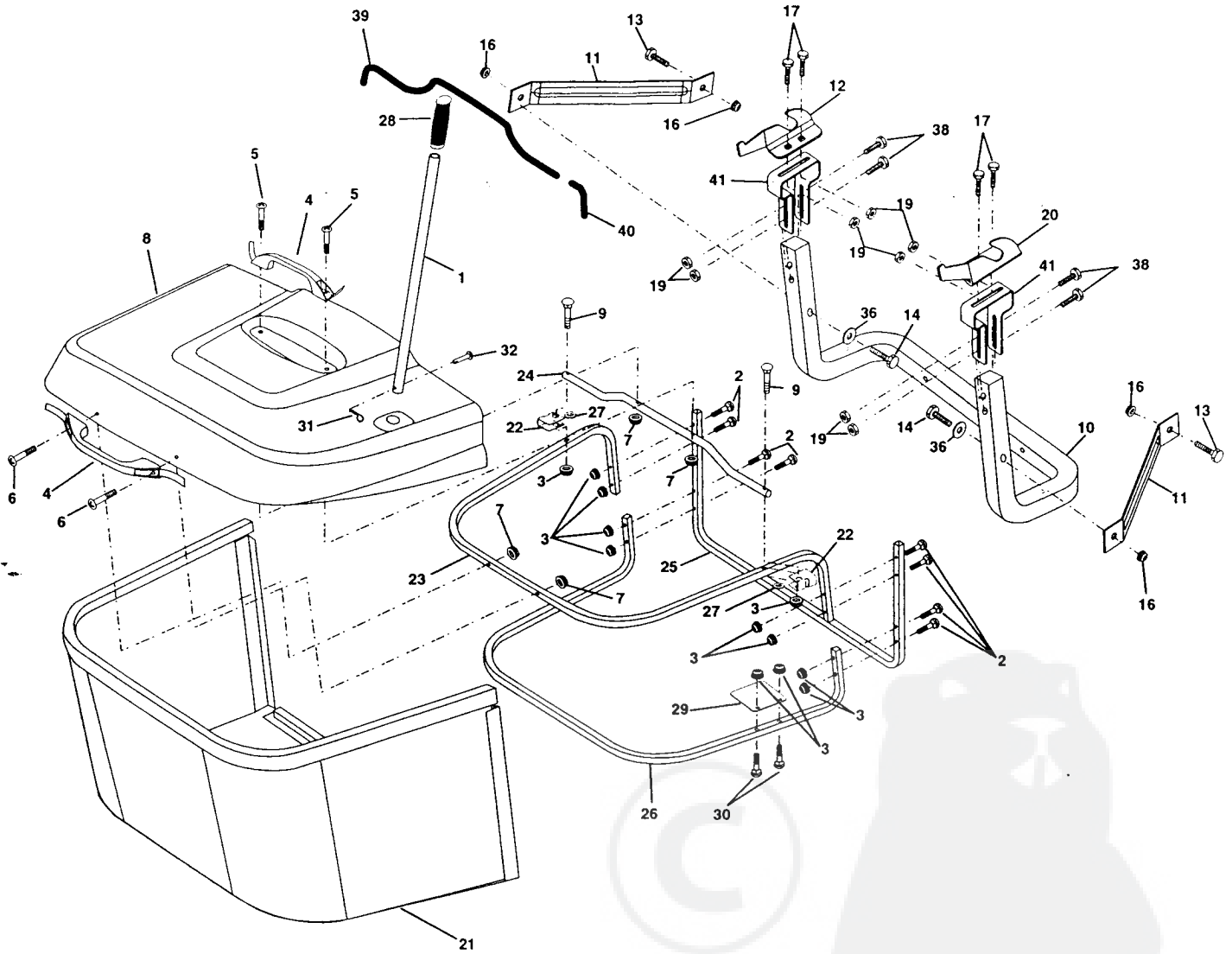
KEY NO.	PART NO.	DESCRIPTION	KEY NO.	PART NO.	DESCRIPTION
1	169160	Housing Asm. Mower	37	19131316	Washer 11/32 x 13/16 x 16 Ga
2	72140506	Bolt Rdhd Sqnk 5/16-18 Unc x 3/4	38	169851	Spacer Hub Arm Idler
3	165569	Bracket Asm. S-Bar Chass CRD	39	72110622	Bolt Rdhd 3/8-16 Unc x 2-3/4
4	169167	Bracket Bar Sway Deck 107 CRD	40	73680600	Nut Crownlock 3/8-16 Unc
5	4939M	Retainer Spring	44	169179	Cover Mandrel Lh 107 CRD
6	165557	Bar Sway CRD	45	169180	Cover Mandrel Rh 107 CRD
8	850857	Bolt 3/8-24 x 1.25 Gr8 Patched	46	137729	Screw Thd Roll 1/4-20 x 5/8
9	10030600	Washer Lock Hvy 3/8 Unplated	55	169849	Arm Idler 107 CRD
10	140296	Washer Hard Blade Mower vented	61	165945	Spring Tension Belt
11	168720	Blade 3-1 Lh 107 CRD	67	106932X	Knob Rd 3/8-16 Plstdc Thds Blk
12	129895	Bearing Ball #6204 (Mandrel)	68	169178	Hex-Belt 107 Mower
13	137645	Shaft Asm. W/Lower Bearing	69	165482	Shaft Asm W/Lwr Brg Rh Thd CRD
14	128774	Housing Mandrel Vented (Machd)	84	156085	Keeper Belt Idler
15	110485X	Bearing Ball Mandrel	116	137644	Bolt Shoulder
16	168721	Blade 3-1 Rh 107 CRD	117	133957	Wheel Gage Donut Wide
18	72110608	Bolt Rdhd Sqnk 3/8-16 x 1 Gr5	118	73930600	Nut Centerlock 3/8-16 Unc
19	132827	Bolt Shoulder 5/16-18 Thd Form	119	19121414	Washer 3/8 x 7/8 x 14 Ga.
20	165484	Bolt 3/8-24 x 1.25 Gr8 Ptch Lhthd	124	72110612	Bolt Carr Sh 3/8-16 x 1-1/2 Gr5
21	73680500	Nut Crown Lock 5/16-18	128	153390	Washer Felt
22	169165	Bracket Idler Sprt RR 107 CRD	130	72110506	Bolt Rdhdsqnk 5/16-18 Unc x 3/4
23	169166	Bracket Idler Sprt RF 107 CRD	131	165661	Chute Bagger CRD 92cm
24	169170	Bracket Suspension 107 LR CRD	151	169670	Bracket Clutch Cable
25	169171	Bracket Suspension LF 107 CRD	152	170300	Cable Clutch CRD Service
26	165237	Brace Support Susp Frt CRD	153	169674	Washer Flat 3/8" Type B
27	169172	Bracket Asm. Susp RR 107 CRD	154	169675	Spring Retainer
28	169168	Bracket Asm. Susp LR 107 CRD	155	169671	Spring Retention Lvr Clutch Cable
30	157722	Screw Thd Rolling Washer Head	156	169672	Spacer Clutch Cable
31	129963	Washer Spacer Mower Vented	157	169669	Rod Clutch Cable 3/8"
32	153535	Mandrel Pulleys	158	17720410	Screw Hex Thd Cut 1/4-20 x 5/8
33	137266	Nut Flg Top Lock Cntr B 9/16	-	130794	Mandrel Asm Service
34	169174	Bracket Gauge Wheel Lf 107 CRD	-	165579	Mandrel Asm CRD Lh Threads SVC
35	169175	Bracket Gauge Wheel Rf 107 CRD	-	170273	Deck Mower Complete
36	146763	Pulley Idler V-Groove Dim 4.25			

NOTE: All component dimensions given in U.S. inches
1 inch = 25.4 mm

REPAIR PARTS

TRACTOR- -MODEL NO. WZ15542RDA

BAGGER



REPAIR PARTS

TRACTOR- -MODEL NO. WZ15542RDA

BAGGER

KEY NO.	PART NO.	DESCRIPTION
1	165249	Tube Handle Bagger CRD
2	72140416	Bolt Carriage 1/4-20 x 2.0 Gr.5
3	123976X	Nut Lock 1/4 Lge Flg Gr. 5 Zinc
4	169916	Handle Bagger w/Lvrs Blk CRD
5	74981024	Screw Pan Head #10-24 x 1.50 Blk
6	74981032	Screw Pan Hd
7	73401000	Nut Wiz Lock Hex Serr/Hd 10-24
8	165715X505	Cover Bagger Plastic CRD
9	72140418	Bolt Carriage 1/4-20 x 2.25d x Gr.5
10	169688	Tube Support Bagger CRD
11	165719	Bracket Support Upper Bag CRD
12	169685	Bracket Horizon Adj Bggr Lh CRD
13	72110606	Bolt Rdhd Sht Sqnk 3/8-16 x 3/4
14	74520640	Bolt Hex 3/8-16 x 2-1/2 Gr.5
16	73900600	Nut Lock Flg 3/8-16 Unc
17	72140506	Bolt Rdhd Sht Sqnk 5/16 -18 Unc x 3/4
19	73900500	Nut Lock Hex Flange 5/16-18
20	169684	Bracket Horiz Adj Bggr RH CRD
21	165780	Bag Asm CRD
22	165781	Bracket Side Bagger CRD
23	165782	Tube Upper Bagger CRD
24	165783	Tube Pivot Bagger CRD
25	165784	Tube Front Bagger CRD
26	165785	Tube Lower Bagger CRD
27	169692	Bufshing Snap Bagger CRD
28	165787	Grip Handle Black
29	165839	Plate Stop Bagger handle CRD
30	72140410	Bolt Carriage 1/4-20 x 1 Gr.5
31	4497H	Retainer Spring 1" Zinc/Cad
32	126875X	Rivet Rd Hd Drilled 3/8 Dia
36	19132016	Washer 13/32 x 1-1/4 x 16 Ga.
38	72010520	Bolt 5/16-18 x 2-1/2
39	169999	Seal 26" (Long)
40	170000	Seal 7" (Short)
41	169683	Bracket Vert Adj Bagger CRD

NOTE: All component dimensions given in U.S. inches
1 inch = 25.4 mm