



REPAIR PARTS MANUAL
MODEL NO. Y12542G
Lawn Tractor

Yard Pro

HOW TO USE THIS MANUAL

This manual is designed to provide the customer with a means to identify the parts on his/her tractor when ordering repair parts. The illustrations may or may not represent the actual assemblies; therefore, it is not recommended to use this manual as a guide to assemble or disassemble the tractor. Some hardware and parts are drawn larger in order to more readily identify them.

Each tractor has its own model number.

The model number for your tractor can be found on the fender under the seat.

When ordering parts, always give the following information:

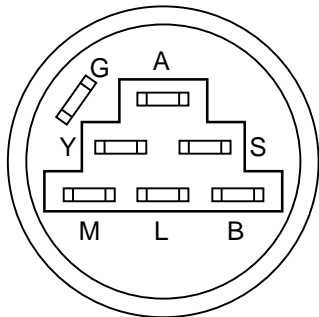
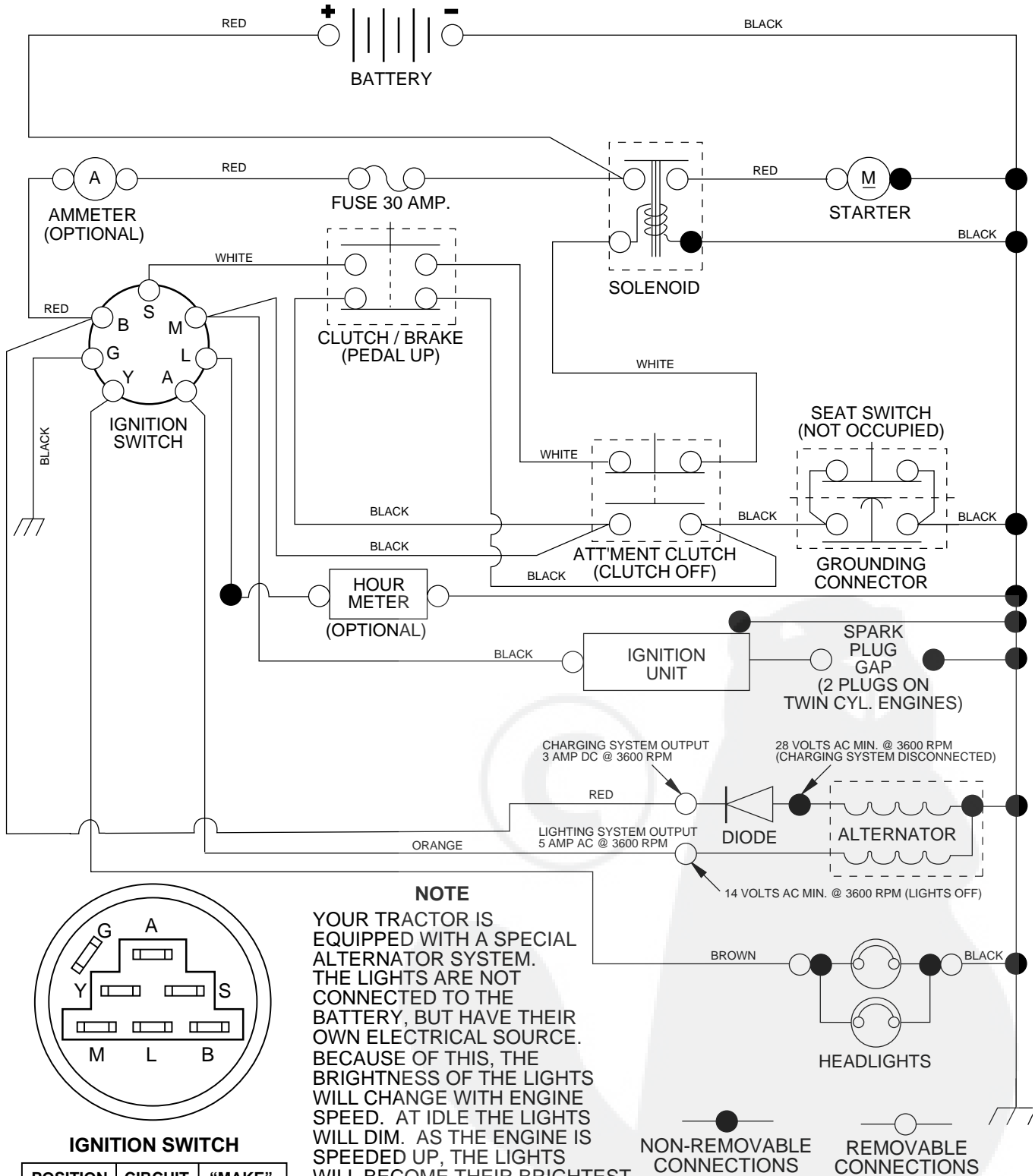
- Product - "Lawn Tractor"
- Model Number - "Y12542G"
- Part Number
- Part Description

TABLE OF CONTENTS

SCHEMATIC	3
ELECTRICAL	4-5
CHASSIS	6-7
DRIVE	8-9
STEERING WHEEL	10-11
ENGINE	12-13
SEAT / DECALS	14-15
MOWER LIFT ASSEMBLY	16-17
MOWER DECK	18-19

TRACTOR - - MODEL NUMBER Y12542G

SCHEMATIC



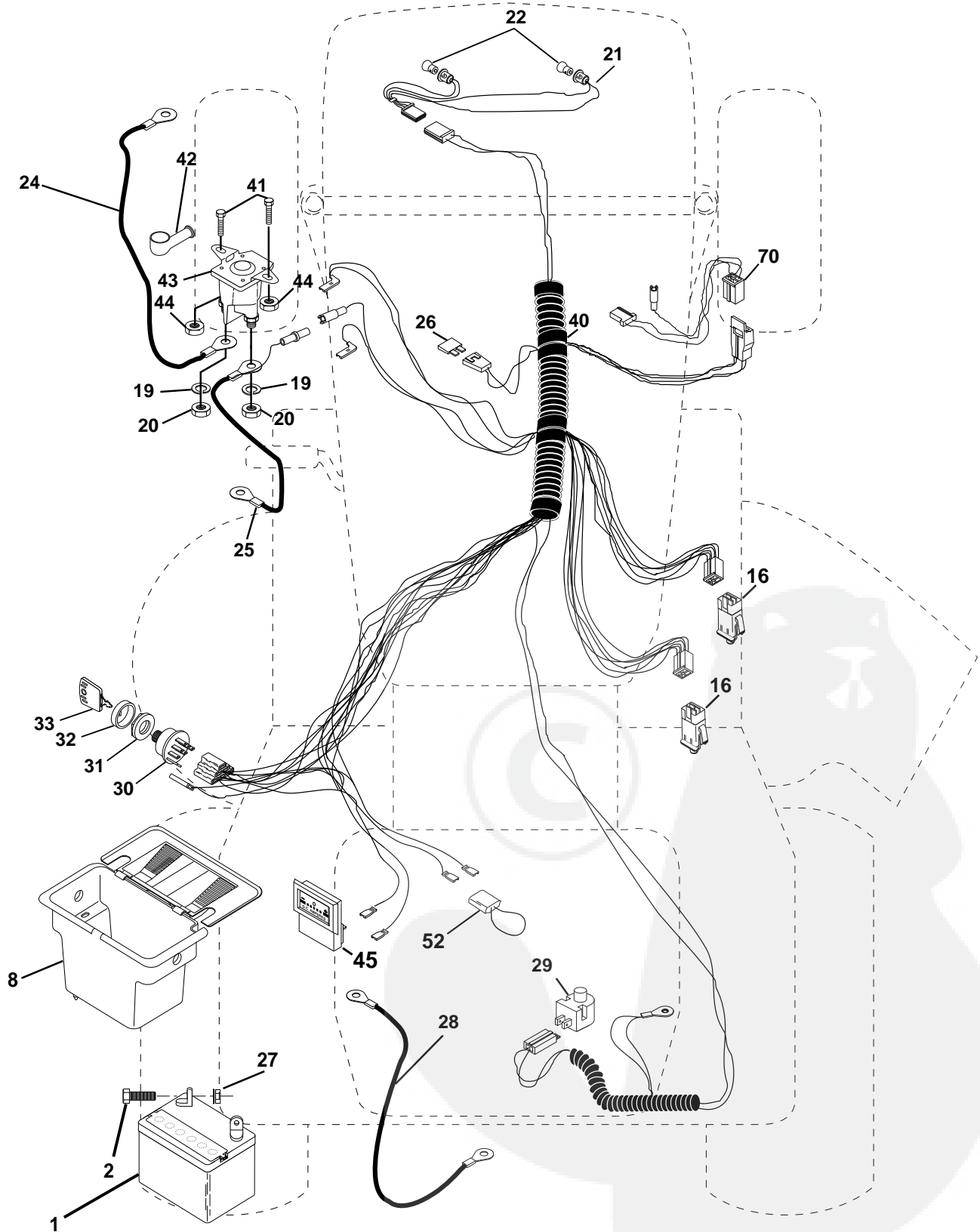
IGNITION SWITCH

POSITION	CIRCUIT	"MAKE"
OFF	G + M + L	NONE
RUN/LIGHT	B + L	A + Y
RUN	B + L	NONE
START	B + L + S	NONE

REPAIR PARTS

TRACTOR - - MODEL NUMBER Y12542G

ELECTRICAL



REPAIR PARTS

TRACTOR - - MODEL NUMBER Y12542G

ELECTRICAL

KEY NO.	PART NO.	DESCRIPTION
1	144925	Battery 12 Volt 25 Amp
2	74760412	Bolt Hex Hd 1/4-20unc X 3/4
8	156417	Case Battery
16	153664	Switch Interlock Push-In
19	10090400	Washer Lock 1/4
20	73350400	Nut Jam Hex 1/4-20 Unc
21	166181	Harness Asm Light W/4152J
22	4152J	Bulb Light #1156
24	4799J	Cable Battery 6 Ga 11"red
25	146147	Cable Battery 6 Ga red W/ 16" Wire
26	166180	Fuse 15 AMP
27	73510400	Nut Keps Hex 1/4-20 Unc
28	4207J	Cable Ground 6 Ga 12" black
29	121305X	Switch Plunger Nc Gray
30	140301	Switch, Ignition
31	124211X	Nut Ignition
32	141226	Cover Sw Ignition
33	122147X	Key Ign
40	166145	Harness Ign
41	71110408	Bolt Blk Fin Hex 1/4-20 x 1/2
42	131563	Cover Terminal Red
43	145673	Solenoid
44	73640400	Nut Keps Hex 1/4-20 Unc
45	121433X	Ammeter Rectangular 6 Amp
52	141940	Protection Wire Loop
70	166658	Harness Eng Briggs/Tec Dual

NOTE: All component dimensions give in U.S. inches
1 inch = 25.4 mm.



REPAIR PARTS

TRACTOR - - MODEL NUMBER Y12542G

CHASSIS AND ENCLOSURES

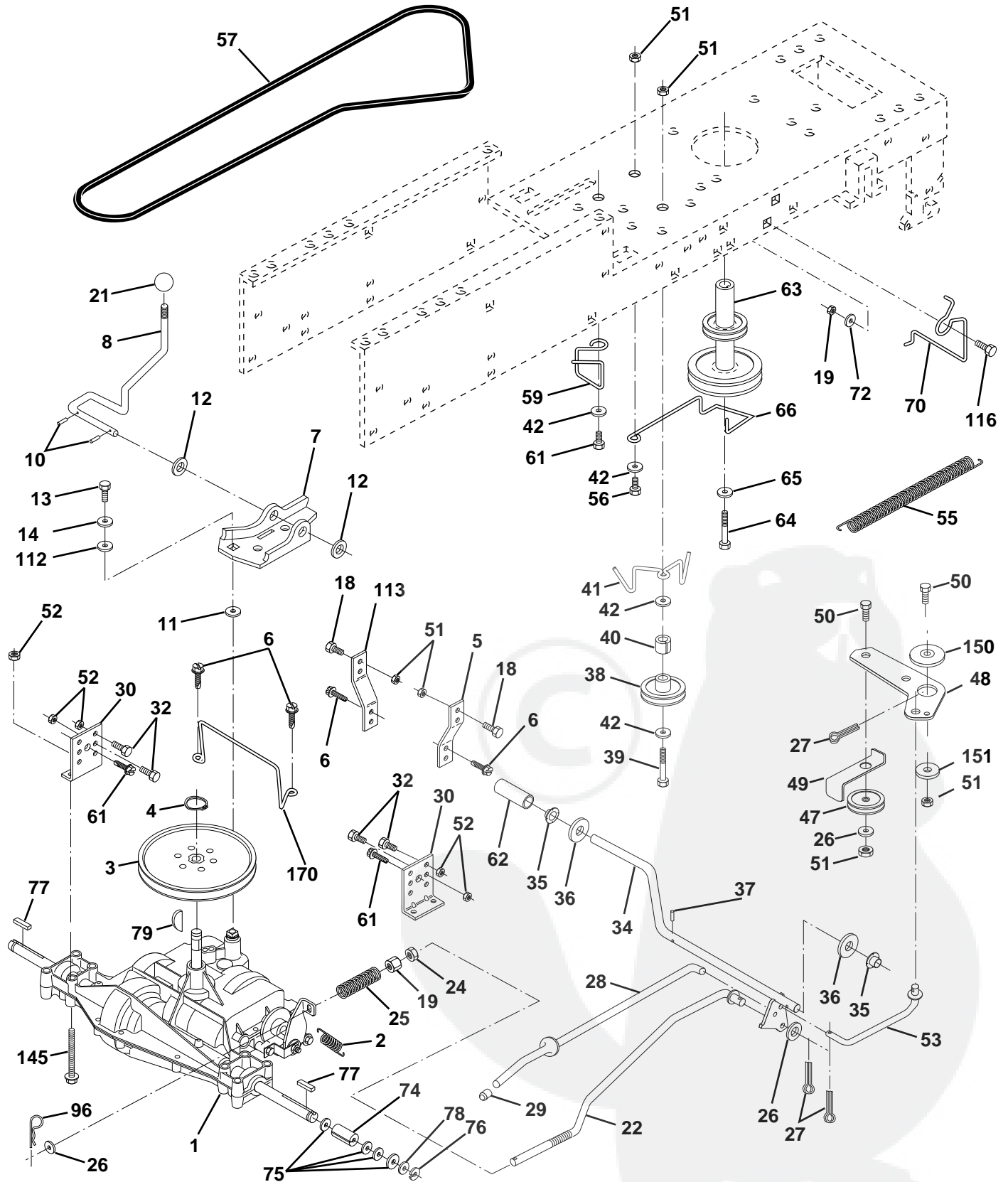
KEY NO.	PART NO.	DESCRIPTION
1	165480	Chassis Stamping
2	140356	Drawbar, Stretch
3	17490612	Screw Thdrol 3/8-16x3/4 Ty-tt
4	19131216	Washer 13/32 x 3/4 x 16 Ga.
5	155272	Bumper Hood/Dash
6	155924X012	Saddle
8	155138	Clip Retainer Slide-On
9	161938X012	Dash Private Label Metal
10	72140608	Bolt Carriage 3/8-16 x 1
11	155927	Panel Pnt Dash Lh
12	145660	Clip Tinnerman Grille P/L
13	155934X010	Panel Dash Rh Silkscreen
14	17490608	Screw Thdrol 3/8-16x1/2 Ty-tt
15	74180512	Screw Mach Trhd 5/16-18 x 3/4
16	73510500	Nut Keps 5/16-18 Unc
17	159639X505	Hood Paint Steel Private Label
18	126938X	Bumper Hood
24	74780616	Bolt Fin Hex 3/8-16unc X 1 Gr. 5
25	19131312	Washer 13/32 X 13/16 X 12 Ga
26	73800600	Nut Lock Hex W/Ins 3/8-16 Unc
28	157373	Grille Private Label
29	140273X599	Lens Grille Private Label
30	157584X505	Fender Pnt
31	136619	Bracket Fender
33	145244X505	Footrest Pnt Lh
34	145243X505	Footrest Pnt Rh
35	72110606	Bolt Rdhd Sht Sqnk 3/8-16 X3/4
37	17490508	Screw Thdrol 5/16-18 x 1/2
38	139886	Bracket, Asm. Pivot, L.H., Mower Rear
39	139887	Bracket, Asm. Pivot, R.H., Mower Rear
51	73800400	Nut Lock Hex W/Ins 1/4-20
52	19091416	Washer 9/32 x 7/8 x 16 Ga.
53	144697	Bracket, Grille, LH
54	161464	Screw Hex Wshd 8-18 x 7/8
55	144696	Bracket, Grille, RH
57	74780412	Bolt Hex 1/4-20 x 3/4
58	150127	Air Duct P/L
140	158418	Bracket Suspension Front
145	156524	Rod Pivot Chassis/Hood
--	5479J	Plug Button Blk

NOTE: All component dimensions given in U.S. inches
1 inch = 25.4 mm

REPAIR PARTS

TRACTOR -- MODEL NUMBER Y12542G

DRIVE



REPAIR PARTS

TRACTOR - - MODEL NUMBER Y12542G

DRIVE

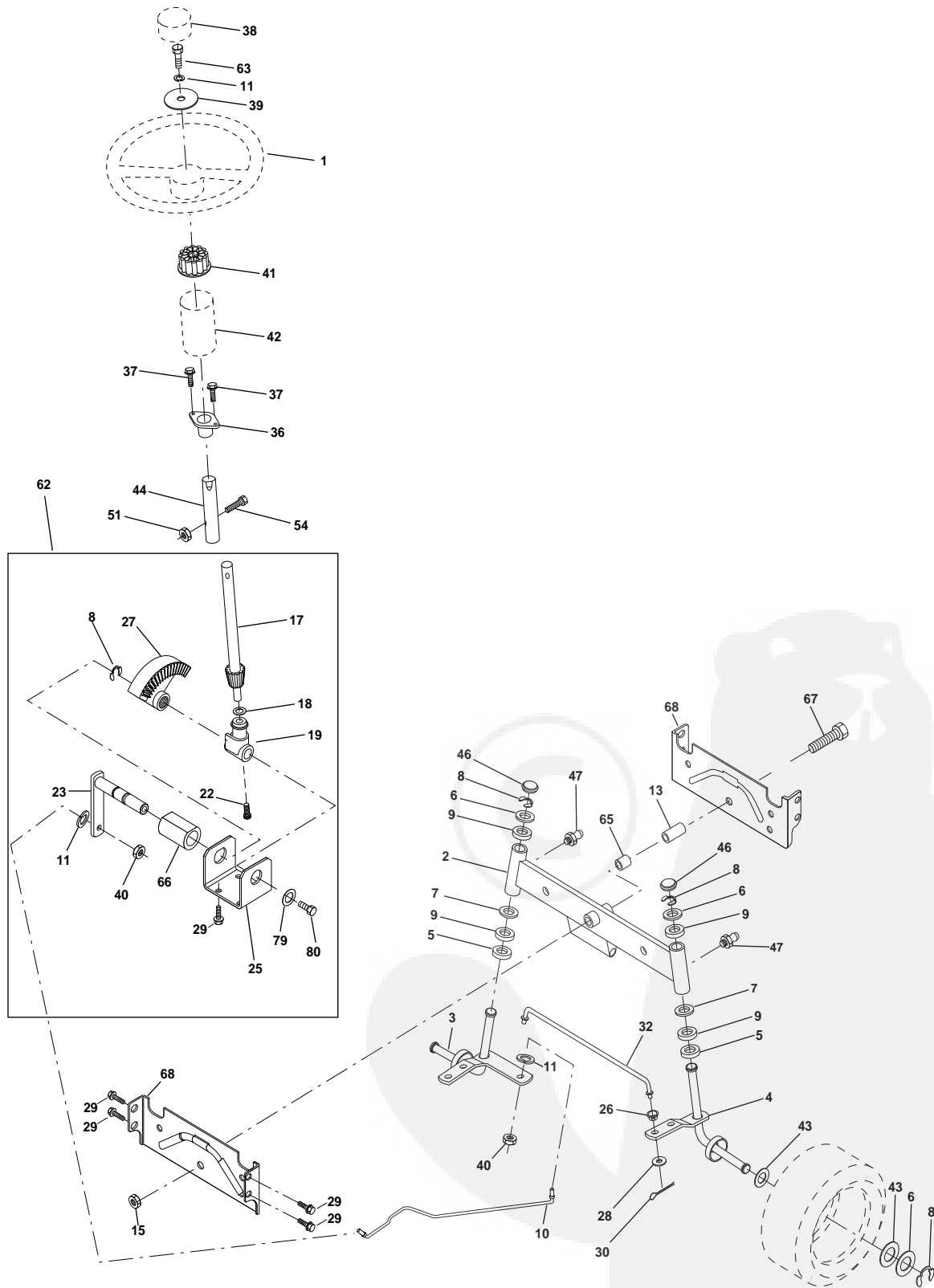
KEY PART NO. NO.	DESCRIPTION	KEY PART NO. NO.	DESCRIPTION
1	-----	42	19131312 Washer 13/32 X 13/16 X 12 Ga
	Transaxle, Peerless 206-545C	47	127783 Pulley Idler V Groove Plastic
	Order Parts From Transaxle	48	154407 Bellcrank Clutch
	Manufacturer	49	123205X Retainer Belt Style Spring
2	146682 Spring Return Brake T/a Zinc	50	74760624 Bolt Hex Hd 3/8-16unc X 1-1/2
3	123666X Pulley Transaxle 18" tires	51	73680600 Nut Crownlock 3/8-16 Unc
4	12000028 Ring Retainer # 5100-62	52	73680500 Nut Crownlock 5/16-18 Unc
5	121520X Strap Torque 30 Degrees	53	105710X Link Clutch
6	17490512 Screw Thdrol 5/16-18 X 3/4 TYT	55	105709X Spring Return Clutch 6 75
7	162240 Plate Pnt Rod Shift T/a (blk)	56	74760620 Bolt Fin Hx 3/8-16 X 1/4
8	131679 Rod Shifter	57	130801 V-Belt Ground Drive 95 25
10	76020416 Pin Cotter 1/8 X 1 Cad	59	140312 Keeper Belt Span Ctr
11	105701X Washer Plate Shf 388 Sq Hole	61	17490612 Screw Thdrol 3/8-16x3/4 Ty-tt
12	19151216 Washer 15/32 x 3/4 x 16 Ga.	62	8883R Cover Pedal Blk Round
13	74550412 Bolt 1/4-28 Unf Gr 8 W/Patch	63	140186 Engine Pulley LT/YT
14	10040400 Washer Lock Hvy Helical 1/4	64	71170764 Bolt Hex
18	74780616 Bolt, Fin Hex 3/8-16 UNC x 1 Gr. 5	65	10040700 Washer Lock Hvy Hlcl Spr 7/16
19	73800600 Nut Lock 3/8-16 Unc	66	154778 Keeper Belt Engine Foolproof
21	106933X Knob	70	134683 Guide Belt Mower Drive RH
22	130804 Rod Brake Blk Zinc 26 840	72	19132012 Washer 13/32 X 1-1/4 X 12 Ga
24	73350600 Nut Hex Jam 3/8-16 Unc	74	137057 Spacer Axle
25	106888X Spring Rod Brake 2 00 Zinc	75	121749X Washer 25/32 X 1 1/4 X 16 Ga
26	19131316 Washer 13/32 X 13/16 X 16 Ga	76	12000001 E-ring #5133-75
27	76020412 Pin Cotter 1/8 X 3/4 Cad	77	123583X Key Square 2 0 X 1845/ 1865
28	145204 Rod Brake Parking LT/YT	78	121748X Washer 25/32 X 1-5/8 X 16 Ga
29	71673 Cap Brake Parking Black	79	2228M Key Woodruff #9 3/16 x 3/4
30	130807 Bracket Mtg Transaxle	96	4497H Retainer Spring
32	74760512 Bolt Hex Hd 5/16-18unc X 3/4	112	19091210 Washer 9/32 x 3/4 x 10 Ga
34	155071 Shaft Asm Pedal Foot	113	127285X Strap Torque LT
35	120183X Bearing Nylon Blk 629 Id	116	72110610 Bolt Rdhd Sq Neck 3/8-16 x 1.25
36	19211616 Washer 21/32 X 1 X 16 Ga	145	74490540 Bolt Hex Flghd 5/16-18 Gds
37	1572H Pin Roll 3/16 X 1"	150	165850 Bushing Bellcrank Gd Drive
38	131494 Pulley Idler Flat	151	19133210 Washer 13/32 x 2 x 10 Ga.
39	74760644 Bolt Fin Hex 3/8-16unc X 2-3/4	170	165849 Keeper Belt Transaxle Gd
40	4470J Spacer Split 395 X 59 Bzp		
41	165838 Keeper Belt Flat Idler		

NOTE: All component dimensions given in U.S. inches
1 inch = 25.4 mm

REPAIR PARTS

TRACTOR - - MODEL NUMBER Y12542G

STEERING WHEEL



REPAIR PARTS

TRACTOR - - MODEL NUMBER Y12542G

STEERING WHEEL

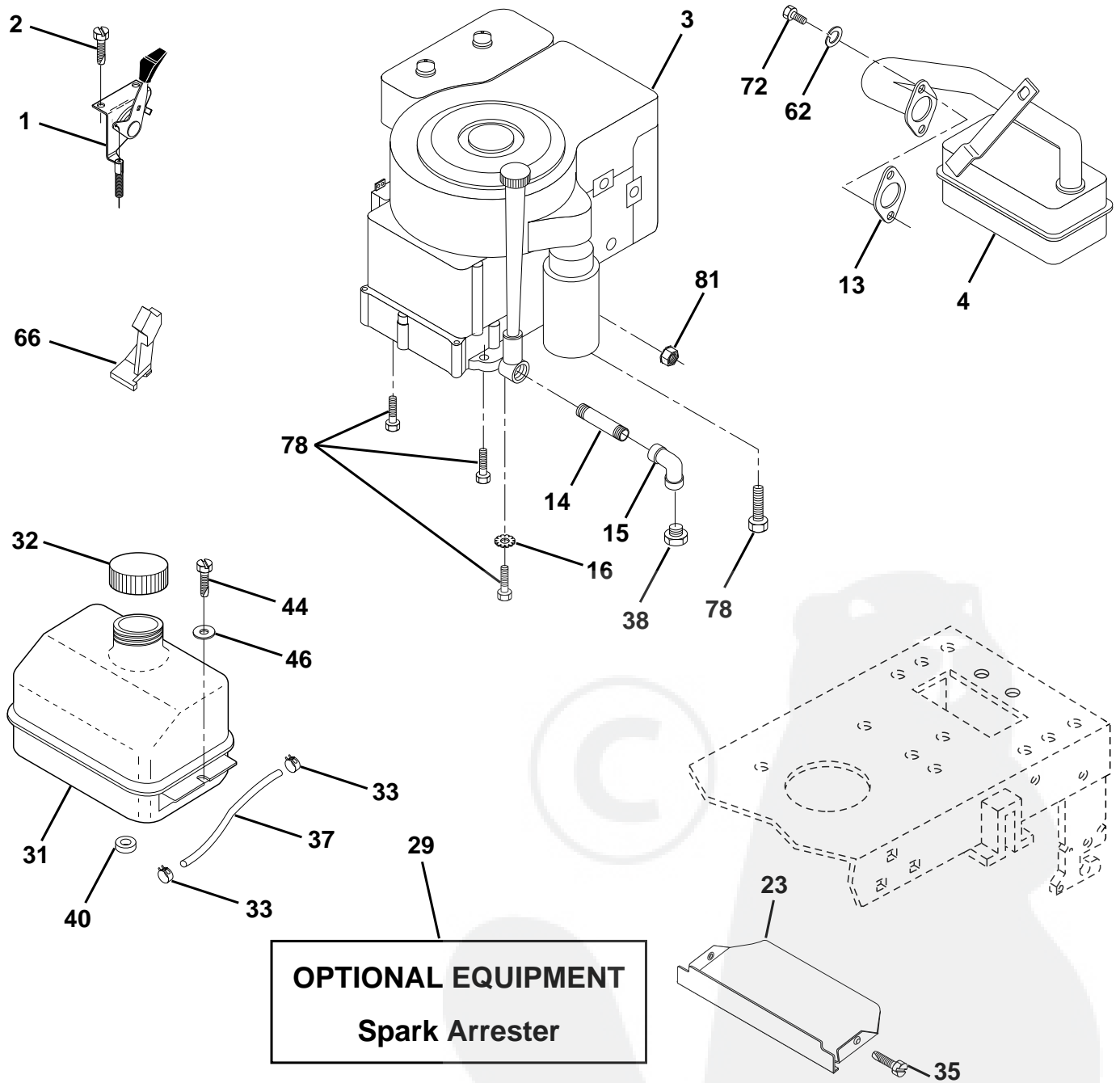
KEY NO.	PART NO.	DESCRIPTION
1	140044	Wheel Steering Blk
2	154427	Axle Asm Fr LT W/gzks 38/42
3	156483	Spindle Asm LH
4	157473	Spindle Asm RH
5	6266H	Bearing Race Thrust Harden
6	121748X	Washer 25/32 X 1-5/8 X 16 Ga
7	19272016	Washer 27/32 X 1-1/4 X 16 Ga
8	12000029	Ring Klip #t5304-75
9	3366R	Bearing Col Strg Blk
10	156438	Link Drag Extended Stamped
11	10040600	Washer Lock Hvy Hlcl Spr 3/8
13	154779	Bearing Axle
15	73901000	Nut Lock Flange 5/8-11 Unc
17	156546	Shaft Asm Strg Private Label
18	57079	Washer Thrust 515x 750x 033
19	160395	Support Shaft
22	165857	Screw Hex Wsh Hd Torx
23	165851	Shaft Asm Pittman
25	154406	Bracket Steering
26	126847X	Bushing Link Drag Blk LR
27	136874	Gear Sector
28	19131416	Washer 13/32 X 7/8 X 16 Ga
29	17490612	Screw Thdrol 3/8-16x3/4 Ty-tt
30	76020412	Pin Cotter 1/8 X 3/4 Cad
32	130465	Rod Tie Wire Form 19 75 Mech
36	155099	Bushing Strg
37	152927	ScrewTT #10-32 X 5 X 3/8 Flange
38	140045	Cap Strg Wh AYP P/L
39	19133808	Washer 13/32 X 2-3/8 X 8 Ga
40	7810H	Nut Lock Center 3/8-24unf
41	100711L	Adaptor Wheel Strg 758/753 ID
42	145054	Boot Steering
43	121749X	Washer 25/32 X 1 1/4 X 16 Ga
44	153720	Shaft Extention Steering
46	121232X	Cap Spindle Fr Top Blk
47	6855M	Fitting Grease
51	73800500	Nut Lock Hex w/Ins 5/16-18
54	74780520	Bolt Fin Hex 5/16-18 Unc x 1-1/4
62	167902	Kit, Steering Assembly, Service
63	74780616	Bolt Fin Hex 3/8-16 x 1 Gr. 5
65	154780	Spacer Axle
66	154404	Bearing Arm Pittman
67	74781044	Bolt Fin Hex 5/8-11 UNC x 2-3/4
68	154429	Brace Axle
79	19132012	Washer 13/32 x 1-1/4 x 12
80	74950612	Bolt Hex Nylon 3/8-16 x 3/4

NOTE: All component dimensions given in U.S. inches
1 inch = 25.4 mm

REPAIR PARTS

TRACTOR -- MODEL NUMBER Y12542G

ENGINE



REPAIR PARTS

TRACTOR - - MODEL NUMBER Y12542G

ENGINE

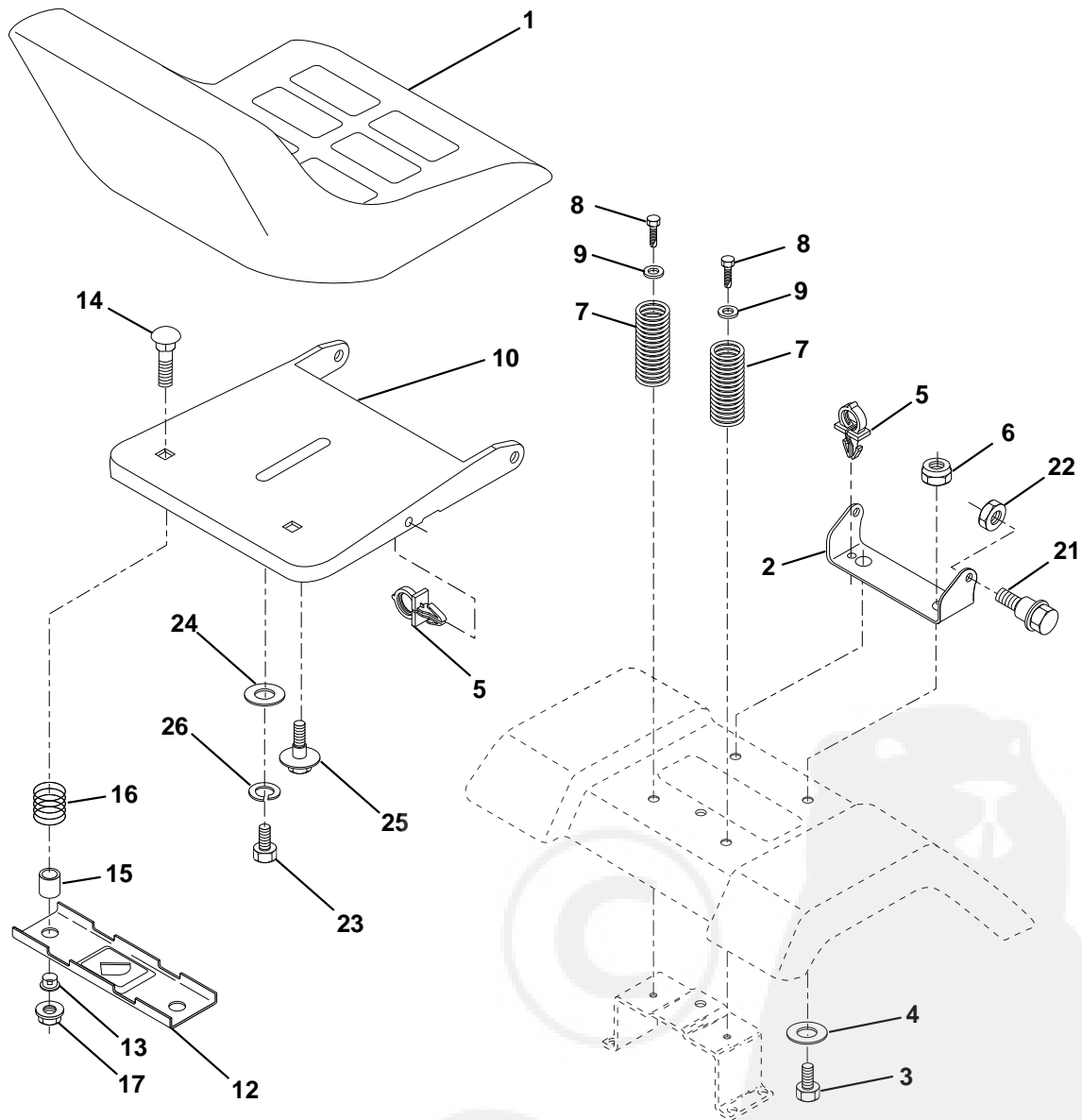
KEY NO.	PART NO.	DESCRIPTION
1	141359	Control Th/ch 20.22 Flag
2	17720410	Screw Hex Thd Cut 1/4-20x5/8 T
3	-----	Engine, Briggs Model 289707 Order Parts From Engine Manufacturer
4	137348	Muffler Exhaust B&S
13	165291	Gasket Eng
14	13280324	Nipple Pipe 3/8 Npt X 3"
15	13200300	Elbow Std 90 Degree 3/8-18 Npt
16	11050600	Washer Lock Ext Tooth 3/8
23	159880	Shield Browning
29	137180	Kit Spark Arrestor (Flat Scrn)
31	109202X	Tank Fuel Front 1.25
32	140527	Cap Asm Fuel
33	123487X	Clamp Hose Blk
35	17490512	Screw Thdrol 5/16-18 x 3/4 TYT
37	137040	Line Fuel
38	-----	Plug Oil Drain (Order From Engine Manufacturer)
40	124028X	Bushing Snap Nyl Blk Fuel Line
44	17490412	Screw Hexwsh Thdrol 1/4-20x3/4
46	19091416	Washer 9/32 X 7/8 X 16 Ga
62	10040500	Washer 5/16
66	127951	Stop Throttle 3000 RPM
72	71070512	Screw 5/16-18 x 3/4
78	17490620	Screw Thdrol 3/8-16x1-1/4 TYTT
81	128861	Nut Flange 1/4-20 Starter Nut

NOTE: All component dimensions given in U.S. inches.
1 inch = 25.4 mm.

REPAIR PARTS

TRACTOR -- MODEL NUMBER Y12542G

SEAT



KEY NO.	PART NO.	DESCRIPTION
1	127427	Seat
2	140551	Bracket, Pivot, Seat
3	74760616	Bolt
4	19131610	Washer 13/32 x 1 x 10 Ga.
5	145006	Clip, Push-in
6	73800600	Nut
7	124181X	Spring, Seat
8	17490616	Screw, Thdrol 3/8-16 x 1
9	19131614	Washer 13/32 x 1 x 14 Ga.
10	155925	Pan, Seat
12	121246X	Bracket, Mounting, Switch, Seat
13	121248X	Bushing, Nylon

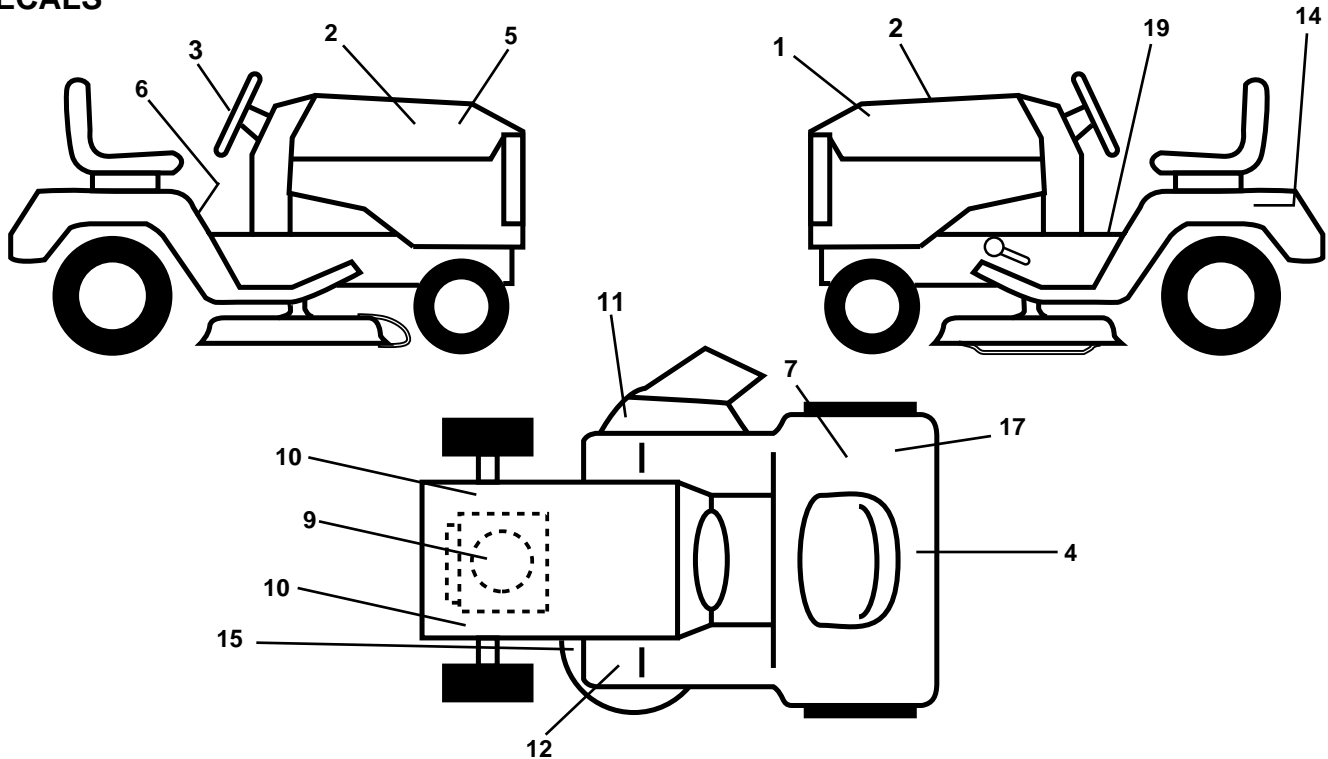
KEY NO.	PART NO.	DESCRIPTION
14	72050412	Nut, Crownlock 1/4-20 x 1-1/2
15	134300	Spacer, Split
16	121250X	Spring
17	123976X	Nut, Lock, Flange 1/4 Gr. 5
21	153236	Bolt, Shoulder 5/16-18 UNC
22	73800500	Nut
23	74780814	Bolt Fin Hex 1/2 - 13 x 7/8 Gr. 5
24	19171912	Washer 17/32 x 1-3/16 x 12 Ga.
25	127018X	Bolt Shoulder 5/16-18 x .62
26	10040800	Washer Lock Hvy Hclc Spr 1/2

NOTE: All component dimensions given in U.S. inches
1 inch = 25.4 mm

REPAIR PARTS

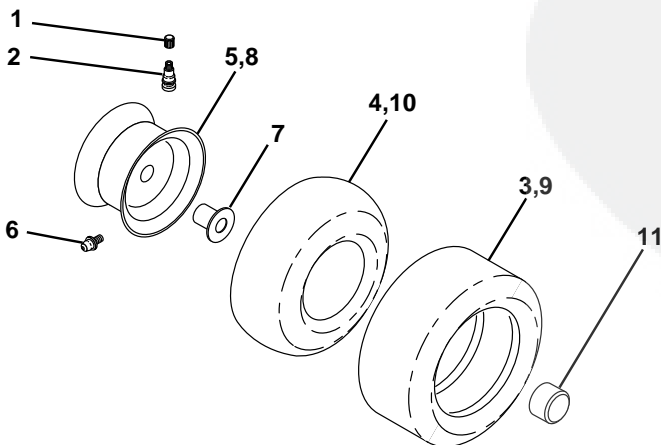
TRACTOR - - MODEL NUMBER Y12542G

DECALS



KEY NO.	PART NO.	DESCRIPTION	KEY NO.	PART NO.	DESCRIPTION
1	143336	Decal, Hood LH	14	145005	Decal, Battery Dan/Poi P/L Symbols
2	138448	Decal, Panel Sd	15	160396	Decal, V-Belt
3	142859	Decal Ins. Strg Whl	17	126187X	Decal, 100 DBA
4	123689X	Decal Fender Yard Pro	19	140837	Decal, Parking Brake
5	143335	Decal, Hood RH	--	133671	Pad Footrest Ribbed
6	145498	Decal, Read Owner's Manual Syms	--	138311	Decal, Handle, Lift, Height Adjust (Lift Handle)
7	145437	Decal, Europe Stand CE	--	162598	Decal, Draw Bar Load Limit
9	165313	Decal, HP Engine	--	167975	Manual, Operator's (European)
10	159736	Decal, Chassis Hot Muffler	--	167976	Manual, Repair Parts
11	145494	Decal, Mower Cutting Symbol			
12	159737	Decal, Brake/Clutch Symbol Lt			

TIRES AND WHEELS



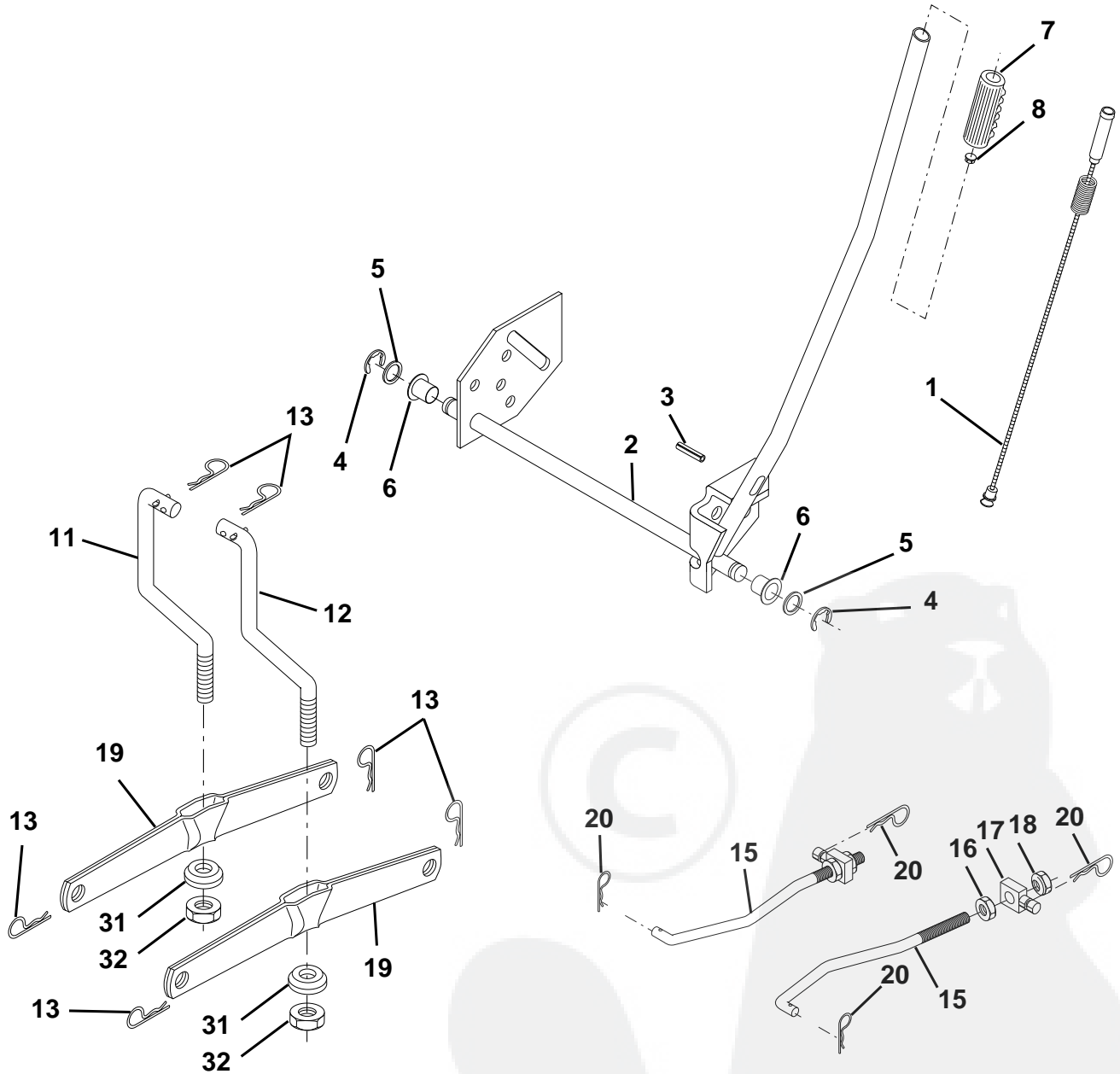
KEY NO.	PART NO.	DESCRIPTION
1	59192	Cap, Valve
2	65139	Stem, Valve
3	106222X	Tire Front
4	59904	Tube, Front (not furnished)
5	106732X417	Rim, Asm. Front
6	278H	Grease Fitting (rear tire only)
7	9040H	Bearing, Flange (front tire only)
8	106108X417	Rim, Asm. Rear
9	124635X	Tire, Rear
10	7152J	Tube, Rear (not furnished)
11	104757X	Cap, Axle
--	144334	Sealant, Tire (10 oz. Tube)

NOTE: All component dimensions given in U.S. inches
1 inch = 25.4 mm

REPAIR PARTS

TRACTOR -- MODEL NUMBER Y12542G

MOWER LIFT



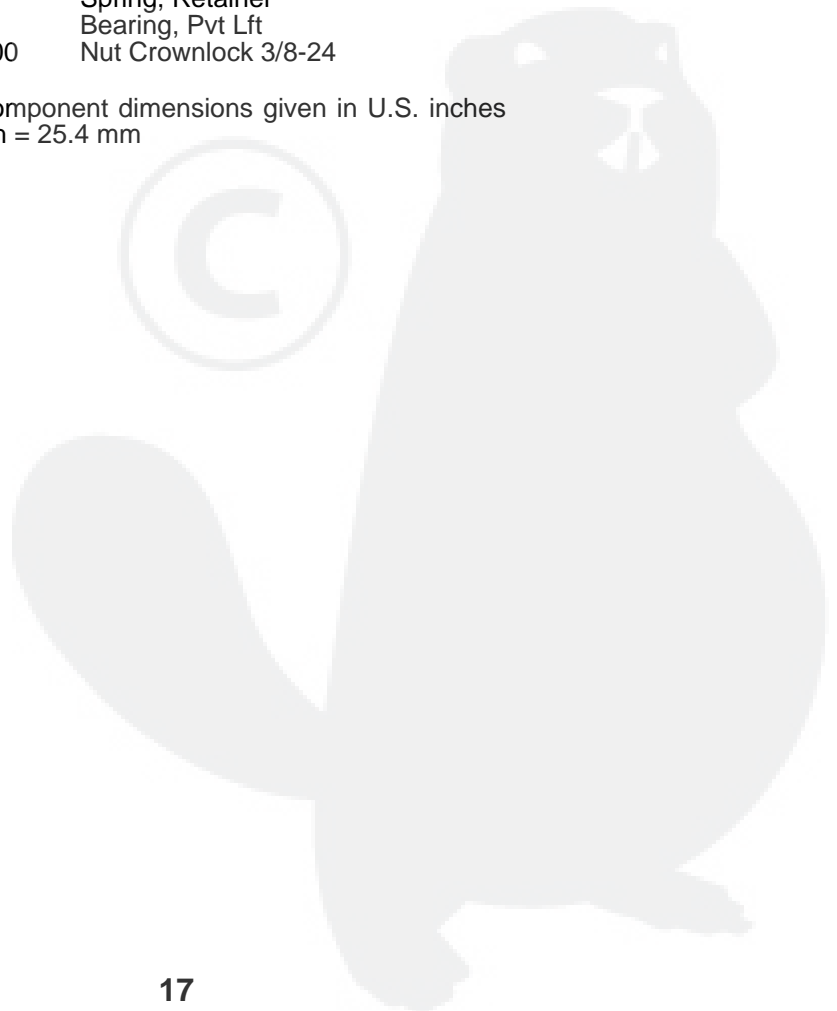
REPAIR PARTS

TRACTOR - - MODEL NUMBER Y12542G

MOWER LIFT

KEY NO.	PART NO.	DESCRIPTION
1	159460	Asm. Inner Wire w/Plunger
2	159471	Asm., Shaft, Lift
3	105767X	Pin, Groove
4	1200002	Ring, E #5133-62
5	19211621	Washer 21/32 x 1 x 21 Ga.
6	120183X	Bearing, Nylon
7	109413X	Grip Handle Bicycle Matte Blk
8	124526X	Button, Plunger
11	139865	Link, Lift, Lh
12	139866	Link, Lift, Rh
13	4939M	Spring, Retainer
15	127218	Link, Front
16	73350800	Nut, Jam, Hex 1/2-13 Unc
17	130171	Trunnion
18	73800800	Nut, Lock w/washer 1/2-13 Unc
19	139868	Arm, Suspension, Rear
20	163552	Spring, Retainer
31	140302	Bearing, Pvt Lft
32	73540600	Nut Crownlock 3/8-24

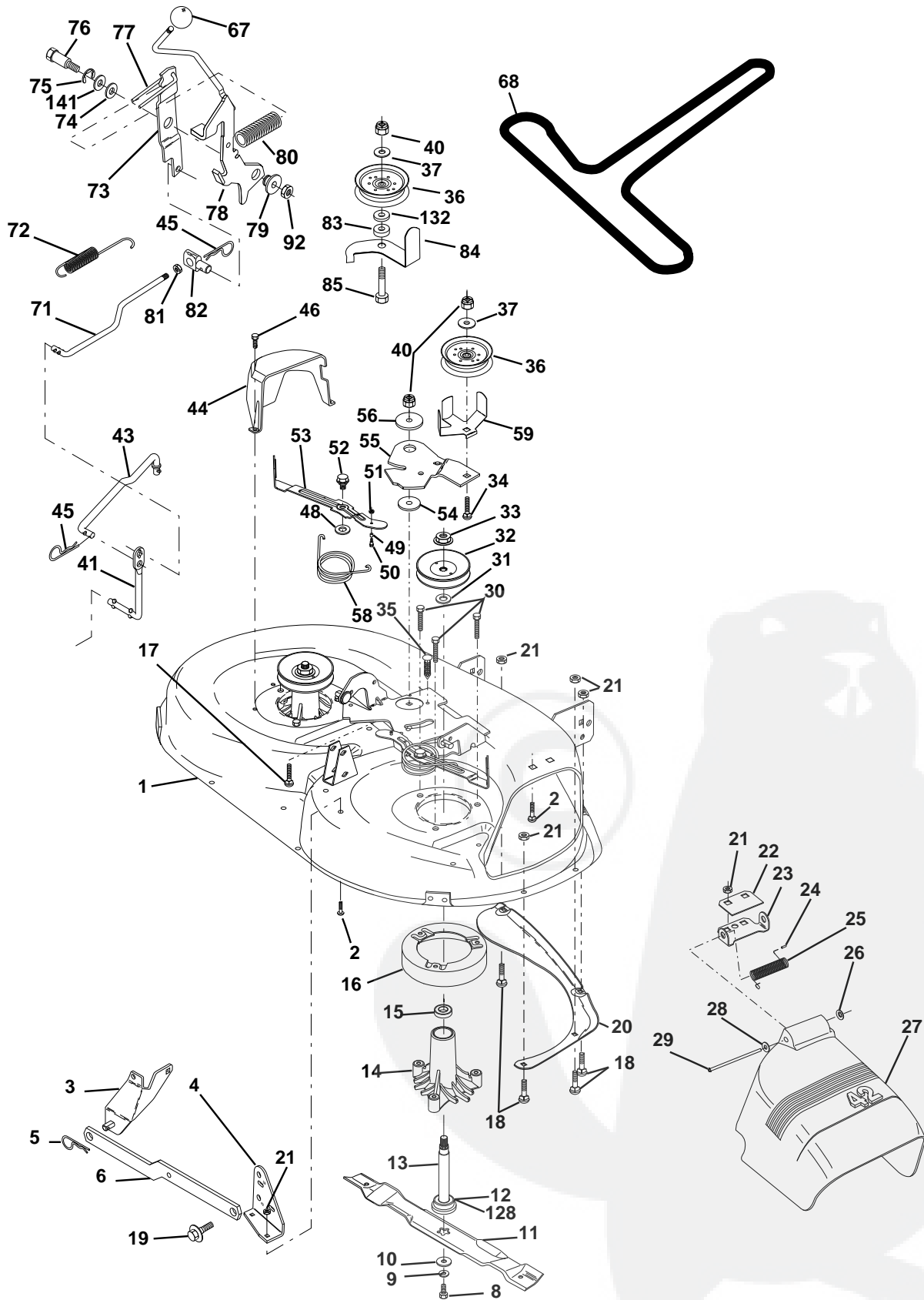
NOTE: All component dimensions given in U.S. inches
1 inch = 25.4 mm



REPAIR PARTS

TRACTOR -- MODEL NUMBER Y12542G

MOWER DECK



REPAIR PARTS

TRACTOR - - MODEL NUMBER Y12542G

MOWER DECK

KEY NO.	PART NO.	DESCRIPTION	KEY NO.	PART NO.	DESCRIPTION
1	164961	Mower Deck Assembly, 42"	45	4497H	Retainer
2	72140506	Bolt	46	137729	Screw, Thdrol 1/4-20 x 5/8 T
3	138017	Bracket Asm Fr. Sway Bar 3/42	48	133944	Washer, Hardened
4	138440	Bracket Asm Deck 42" Sway Bar	49	155066	Roller Assembly, Cam Follower
5	4939M	Retainer Spring	50	131340	Bolt, Shoulder #10-24 Grade 5
6	130832	Arm, Suspension, Rear	51	69180	Locknut
8	850857	Bolt 3/8-24 x 25 Grade 8 patched	52	139888	Bolt, Shoulder 5/16-18 UNC
9	10030600	Washer, Lock	53	131845	Arm Assembly, Pad, Brake
10	140296	Washer, Hardened	54	133943	Washer, Hardened
11	138498	Blade, 42" Mower Deck	55	155046	Arm, Idler
12	129895	Bearing, Ball #6204	56	122052X	Spacer, Retainer
13	137645	Shaft Assembly, Mandrel, Vented	58	140086	Spring Torsion Brakes
14	128774	Housing, Mandrel, Vented	59	141043	Guard TUV Idler
15	110485X	Bearing, Ball, Mandrel	67	162132	Knob Rd
16	140329	Stripper, Vented Mower Deck	68	144200	V-Belt, 42" Mower
17	72110610	Bolt, Rdhd Sqnk 3/8-16 x 1-1/4	71	142427	Rod, Clutch, Primary
18	72140505	Bolt, Carriage 5/16-18 x 5/8	72	131870	Spring, Retainer
19	132827	Bolt, Shoulder	73	127847	Arm, Clutch, Secondary
20	159770	Baffle, Vortex 42	74	121748X	Washer 25/32 x 1-5/8 x 16 Gauge
21	73680500	Nut	75	12000029	Ring, Klip
22	134753	Stiffener Bracket	76	128903	Bolt, Shoulder 3/8-16 UNC x 1.44
23	131267	Bracket, Deflector Mower 42"	77	127845	Keeper, Spring
24	105304X	Cap, Sleeve 80 x 112 Blk Mower	78	160570	Arm, Clutch, Primary
25	123713X	Spring, Torsion, Deflector 2 52	79	127498	Bushing, Large, Brass
26	110452X	Nut, Push Phos & Oil	80	153701	Spring, Mower Clutch
27	130968	Shield, Deflector 42" Blk	81	142028	Trunnion Adj
28	19111016	Washer 11/32 x 5/8 x 16 Gauge	82	73350600	Nut Hex Jam 3/8-16 UNC
29	131491	Rod, Hinge 42" 6 75 W/G	83	120958X	Washer, Sintered
30	157722	Screw Thd Rolling Washer Head	84	156084	Keeper, Belt, Idler
31	129963	Washer, Spacer Mower Vented	85	72140620	Bolt, Carriage 3/8-16 x 2-1/2 Gr. 5
32	153535	Pulley, Mandrel	92	73800600	Nut, Lock, Hex W/Ins 3/8-16 UNC
33	137266	Nut, Toplock 9/16	128	153390	Washer, Felt
34	72110614	Bolt	132	19132203	Spacer Washer 13/32 ID x 1-3/8 OD x 1/4
35	133835	Fastener, Christmas Tree	141	6266H	Washer Thrust .75 x 1.230
36	131494	Pulley, Idler, Flat	--	130794	Mandrel Assembly (Includes Key Numbers 8-10,12-15, 31 and 33)
37	19131316	Washer 13/32 x 13/16 x 16 Gauge	--	164962	Mower Deck
40	73680600	Nut			
41	133551	Rod, Pivot, with Nibs			
43	140083	Rod, Clutch, Secondary, with Nibs			
44	140088	Guard, Mandrel, LH			

NOTE: All component dimensions given in U.S. inches
1 inch = 25.4 mm

SERVICE NOTES

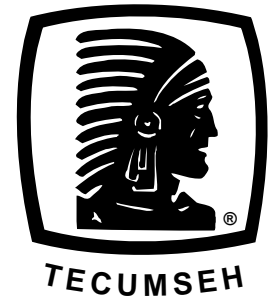


SERVICE NOTES





SERVICE POLICY WARRANTY



Issued January 1980
Revised January 1991

LIMITED WARRANTIES FOR NEW PEERLESS GEAR POWER TRAIN COMPONENTS

A. Products Warranted

Peerless Gear and Machine Division of Tecumseh Products Company ("Tecumseh"), subject to the limitations contained below, will, at its option, repair or replace, without charge for parts or labor only, any part of a new Power Train Component (which as used herein means and includes the transaxle, gear box, transmission, differential and right angle drives, and any part of the Power Train Component), EXCEPT any new Power Train Component incorporated in equipment used for commercial or rental purposes, which is found upon examination by any Tecumseh Authorized Service Outlet or by Tecumseh's factory in Grafton, Wisconsin, to be DEFECTIVE IN MATERIAL AND/OR WORKMANSHIP if received by Tecumseh or a Tecumseh Authorized Service Outlet for such examination within TWO YEARS from the date of sale to the original consumer purchaser of Peerless Series 820, 900, 910, 915, 920, 930 transaxles and Series 1100 angle drive and ONE YEAR for all other Peerless products. New Power Train Components incorporated in equipment used for commercial purposes are warranted in the same manner and to the same extent EXCEPT such Power Train Components are warranted for NINETY (90) DAYS ONLY, and must be received by Tecumseh or by a Tecumseh Authorized Service Outlet for such examination within 90 days from the date of sale to the original purchaser. New Power Train Components Incorporated in equipment used for rental purposes are warranted in the same manner and to the same extent EXCEPT such Power Train Components are warranted for THIRTY (30) DAYS ONLY, and must be received by Tecumseh or a Tecumseh Authorized Service Outlet within 30 days from the date of sale to the original purchaser.

B. Products And Items Not Warranted

1. Alterations or Modifications of Power Train Components.
2. Accidents, Normal Maintenance, Failure to follow the Original Equipment Manufacturer's Manual.

This warranty covers only parts of new Power Train Components which are found upon examination to be defective in material or workmanship as delivered to the original purchaser. This warranty does not cover defects caused by depreciation or damage caused by normal wear, accidents, improper maintenance, improper use or abuse of the product, failure to follow the instructions contained in an Instruction Manual for the operation of the Power Train Component and parts. The cost of normal maintenance and replacement of service items which are not defective shall be paid for by the original purchaser.

C. Securing Warranty Service

Warranty service can be arranged for by contacting either a Tecumseh Authorized Service Outlet (any Tecumseh Registered Service Dealer, Tecumseh Authorized Service Distributor, or Tecumseh Central Warehouse Distributor) or by contacting Tecumseh, c/o Service Manager, Engine and Transmission Group Service Division, 900 North Street, Grafton, Wisconsin 53024. Warranty service can only be performed by a Tecumseh Authorized Service Outlet or by Tecumseh at its factory in Grafton, Wisconsin. At the time of requesting warranty service, evidence must be presented of the date of sale to the original purchaser. The purchaser shall pay any charges for making service calls and/or for transporting the product to and from the place where the inspection and/or warranty work is performed. The purchaser shall be responsible for any damage or loss incurred in connection with the transportation of Power Train Components and/or part(s) of the Power Train Components submitted for inspection and/or warranty work.

D. Limitation of Damages and Implied Warranties

The foregoing EXPRESSED WARRANTY IS IN LIEU OF ALL OTHER EXPRESS WARRANTIES. Neither Tecumseh nor any of its affiliates makes any warranties, representations or promises, written or oral, as to the quality of the Power Train Component or any of its parts, other than as set forth herein.

ANY IMPLIED WARRANTY OF MERCHANTABILITY OR FITNESS FOR A PARTICULAR PURPOSE, TO THE EXTENT THAT EITHER MAY APPLY TO ANY PART(S) OF POWER TRAIN COMPONENTS, SHALL BE LIMITED IN DURATION TO THE PERIODS OF THE EXPRESSED WARRANTIES DEFINED IN PARAGRAPH A HEREOF. IN NO EVENT WILL TECUMSEH BE LIABLE FOR ANY INCIDENTAL, CONSEQUENTIAL OR SPECIAL DAMAGES AND/OR EXPENSES. Some states do not allow limitations on how long an implied warranty lasts or the exclusion or limitation of incidental or consequential damages, so the above limitation(s) or exclusion(s) may not apply to you. This warranty gives you specific legal rights and you may also have other legal rights which vary from state to state.

E. No Dealer Warranty

Tecumseh neither assumes nor authorizes any other person, natural or corporate, to assume for Tecumseh any other obligations or liabilities in connection with or with respect to any part(s) of a Power Train Component. The seller or dealer of part(s) of a Power Train Component has no authority, whatsoever, to make any representations or promises on behalf of Tecumseh or to modify the terms or limitations of Tecumseh's warranty in any way.

LIMITED WARRANTY

The Manufacturer warrants to the original consumer purchaser that this product as manufactured is free from defects in materials and workmanship. For a period of one (1) year from date of purchase by the original consumer purchaser, we will repair or replace, at our option, without charge for parts or labor incurred in replacing parts, any part which we find to be defective due to materials or workmanship. This Warranty is subject to the following limitations and exclusions.

1. This warranty does not apply to the engine. Please contact your nearest dealer where they will send the machine to the engine manufacturer.
2. Transportation charges for the movement of any power equipment unit or attachment are the responsibility of the purchaser. Transportation charges for any parts submitted for replacement under this warranty must be paid by the purchaser unless such return is requested by your dealer.
3. **Battery Warranty:** On products equipped with a Battery, we will replace, without charge to you, any battery which we find to be defective in manufacture, during the first ninety (90) days of ownership. After ninety (90) days, we will exchange the Battery, charging you 1/12 of the price of a new Battery for each full month from the date of the original sale. Battery must be maintained in accordance with the instructions furnished.
4. The Warranty period for any products used for rental or commercial purposes is limited to 90 days from the date of original purchase.
5. This Warranty applies only to products which have been properly assembled, adjusted, operated, and maintained in accordance with the instructions furnished. This Warranty does not apply to any product which has been subjected to alteration, misuse, abuse, improper assembly or installation, delivery damage, or to normal wear of the product.
6. **Exclusions:** Excluded from this Warranty are belts, blades, blade adapters, normal wear, normal adjustments, standard hardware and normal maintenance.
7. In case of any problem within the boundaries of this warranty, contact the nearest department store, indicate the model number, serial number and the date of purchase of your machine. This warranty does not apply to accidental damages. All implicit warranties are limited to the same time frames. Or contact:

E.M. Services
54 Rue Lambrechts
92400 Courbevoie
France
Telephone: (1) 46678078
Fax: (1) 46678095

THIS WARRANTY DOES NOT APPLY TO INCIDENTAL OR CONSEQUENTIAL DAMAGES. ANY IMPLIED WARRANTIES ARE LIMITED TO THE SAME TIME PERIODS STATED HEREIN.



Yard Pro