

**REPAIR PARTS MANUAL**  
**MODEL NO. WZ14536RDHC**  
**Lawn Tractor**

---

**WIZARD**

# HOW TO USE THIS MANUAL

This manual is designed to provide the customer with a means to identify the parts on his/her tractor when ordering repair parts. The illustrations may or may not represent the actual assemblies; therefore, it is not recommended to use this manual as a guide to assemble or disassemble the tractor. Some hardware and parts are drawn larger in order to more readily identify them.

Each tractor has its own model number.

The model number for your tractor can be found on the fender under the seat.

When ordering parts, always give the following information:

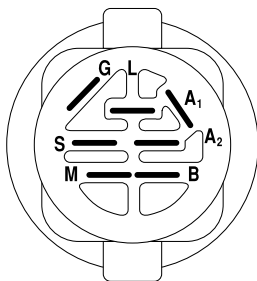
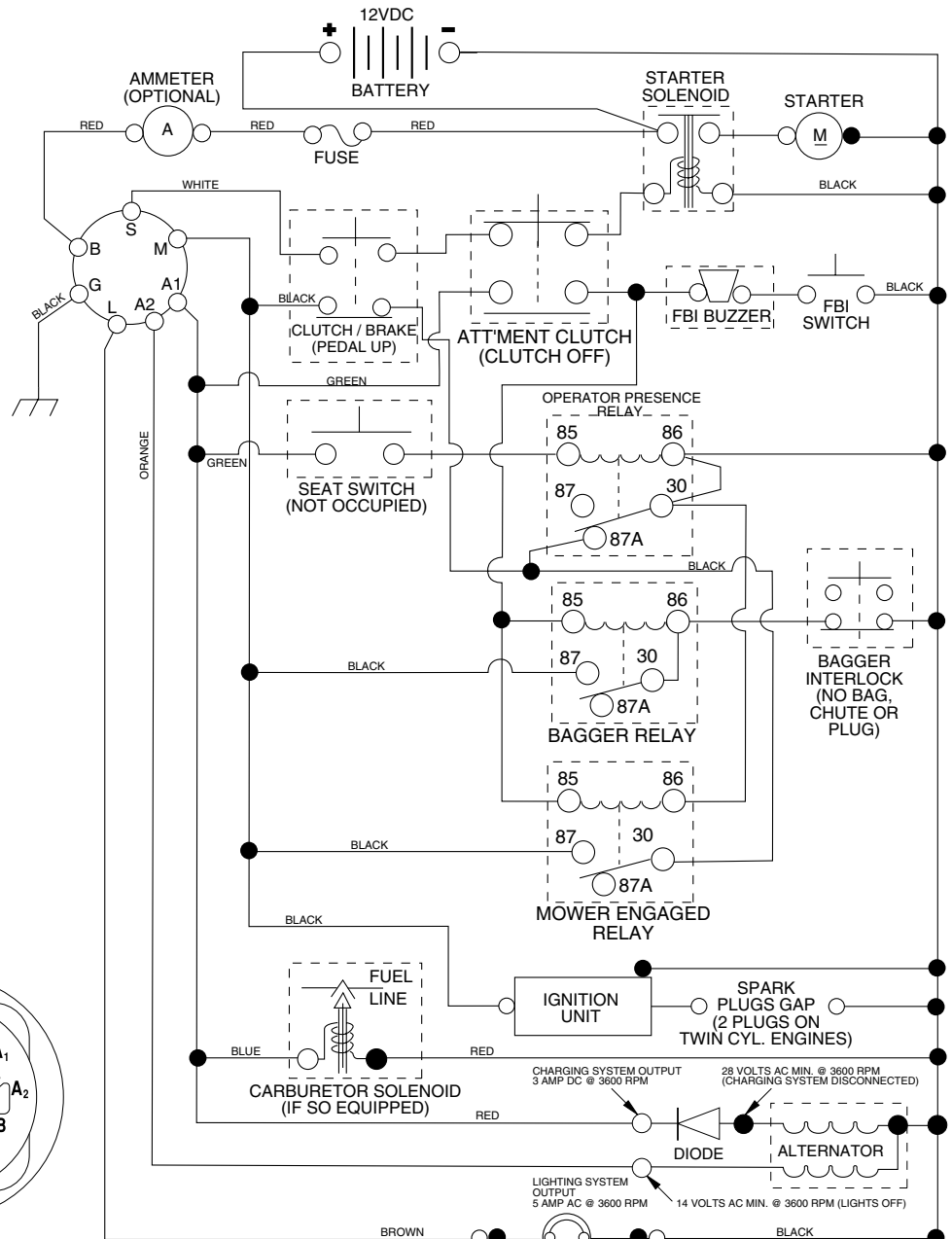
- Product - "Tractor"
- Model Number - "WZ14536RDHC"
- Part Number
- Part Description

## TABLE OF CONTENTS

SCHEMATIC.....	3
ELECTRICAL.....	4-5
CHASSIS AND ENCLOSURES.....	6-7
DRIVE.....	8-9
STEERING ASSEMBLY.....	10-11
SEAT.....	12
DECALS.....	13
ENGINE.....	14-15
MOWER LIFT.....	16-17
MOWER.....	18-19
BAGGER.....	20-21
WARRANTY.....	23

# REPAIR PARTS

## TRACTOR- -MODEL NO. WZ14536RDHC, PRODUCT NO. 954 56 66-14 SCHEMATIC



**IGNITION SWITCH**

POSITION	CIRCUIT	"MAKE"
OFF	M+G+A1	NONE
RUN/LIGHT	B+A1	A2+L
RUN	B+A1	NONE
START	B + S + A1	NONE

**WIRING INSULATED CLIPS**  
NOTE: IF WIRING INSULATED CLIPS WERE REMOVED FOR SERVICING OF UNIT, THEY SHOULD BE REPLACED TO PROPERLY SECURE YOUR WIRING.

●  
NON-REMOVABLE CONNECTIONS

○  
REMOVABLE CONNECTIONS

**PTO SWITCH**

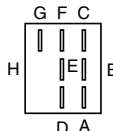
POSITION	CIRCUIT
OFF	C + G, B + H
ON	C + F, B + E, A + D

**HEADLIGHTS**

**NOTE**  
YOUR TRACTOR IS EQUIPPED WITH A SPECIAL ALTERNATOR SYSTEM. THE LIGHTS ARE NOT CONNECTED TO THE BATTERY, BUT HAVE THEIR OWN ELECTRICAL SOURCE. BECAUSE OF THIS, THE BRIGHTNESS OF THE LIGHTS WILL CHANGE WITH ENGINE SPEED. AT IDLE THE LIGHTS WILL DIM. AS THE ENGINE IS SPEEDED UP, THE LIGHTS WILL BECOME THEIR BRIGHTEST.

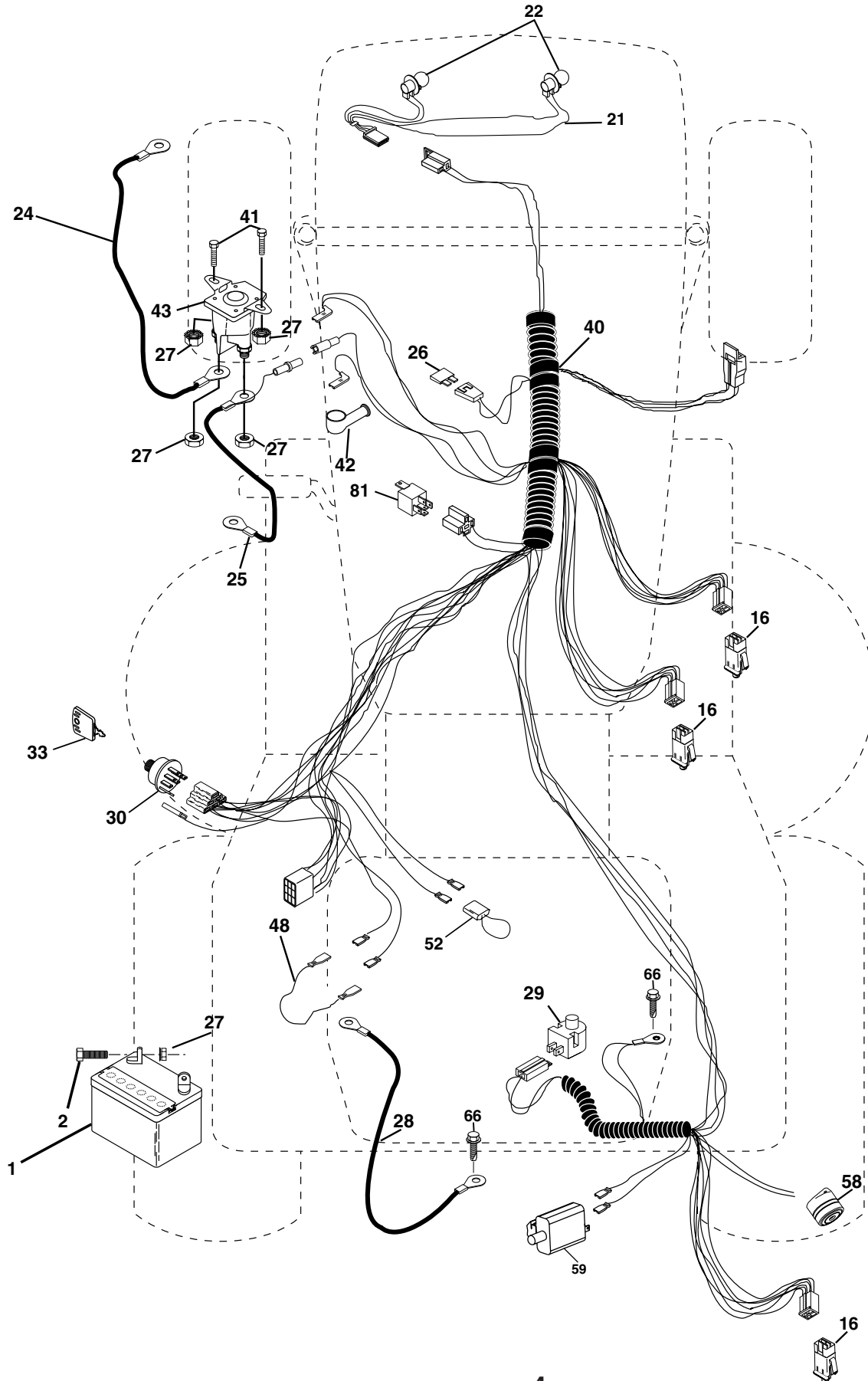


**RELAY**



# REPAIR PARTS

TRACTOR- -MODEL NO. WZ14536RDHC, PRODUCT NO. 954 56 66-14  
ELECTRICAL



# REPAIR PARTS

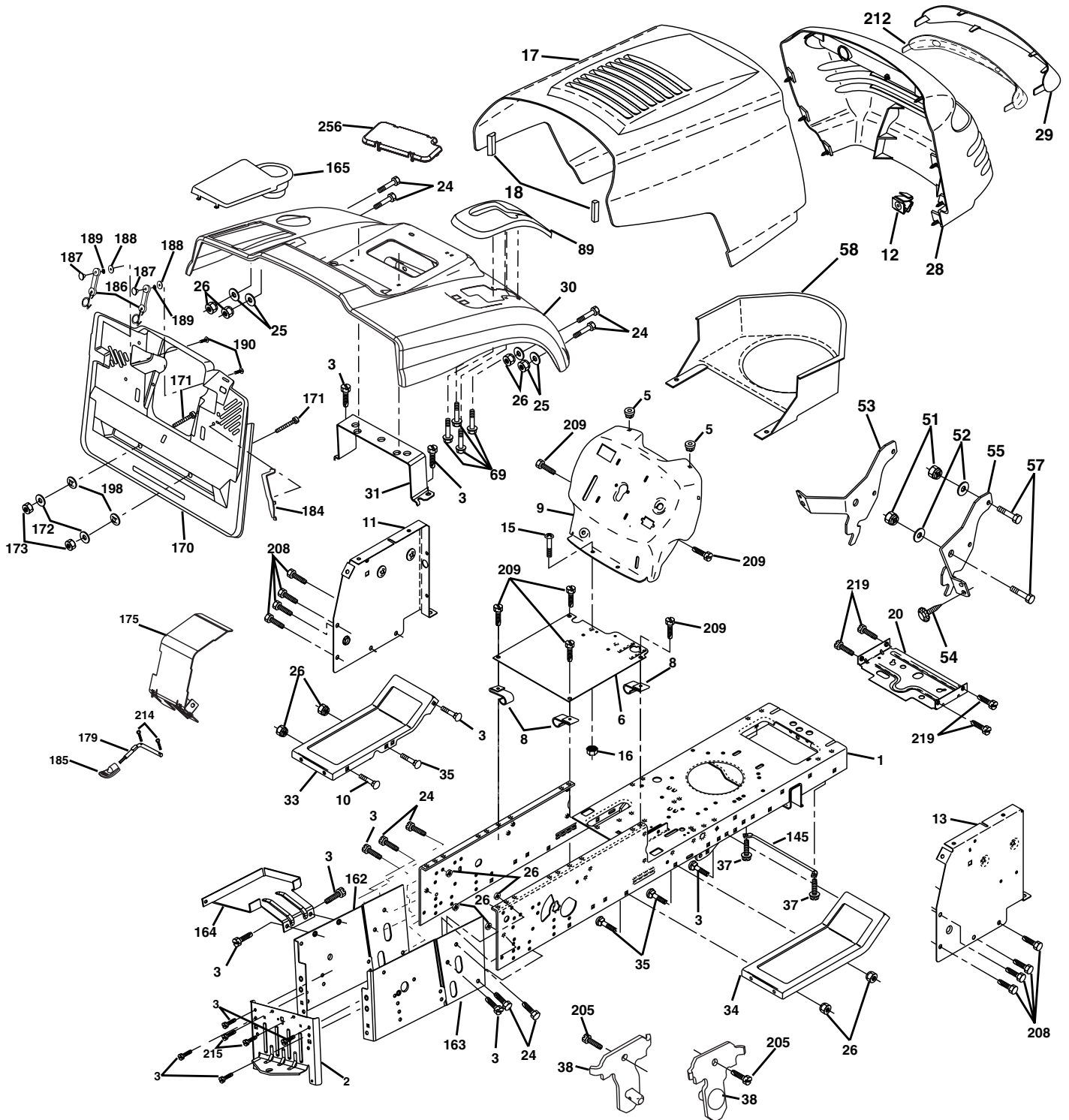
TRACTOR- -MODEL NO. WZ14536RDHC, PRODUCT NO. 954 56 66-14  
ELECTRICAL

KEY NO.	PART NO.	DESCRIPTION
1	<b>163465</b>	Battery 12 Volt 28 AMP Wet
2	74760412	Bolt Hex Hd 1/4-20 Unc X 3/4
16	<b>176138</b>	Switch Interlock Push-In
21	<b>175685</b>	Harness Asm Light W/4152J
22	4152J	Bulb Light #1156
24	4799J	Cable Battery 6 Ga 11" Red
25	165987	Cable Battery Crd 56" Red
26	175158	Fuse
27	73510400	Nut Keps Hex 1/4-20 Unc
28	127725X	Cable Ground 6Ga 18" Black
29	160784	Switch Plunger Normal Op Olive
30	175566	Switch Ignition
33	140401	Key Ign Molded
40	<b>179728</b>	Harness Ign Crd Noram
41	71110408	Bolt Flk Fin Hex 1/4-20 Unc X 1/2
42	131563	Cover Terminal Red
43	178861	Solenoid
48	140844	Adapter Ammeter Rectangular
52	141940	Protection Wire Loop
58	169419	Buzzer Crd
59	<b>180379</b>	Switch FBI CRD
66	17490608	Screw Thdrol 3/8-16 x 1/2 Ty-Tt
81	109748X	Relay Asm

**NOTE:** All component dimensions given in U.S. inches.  
1 inch = 25.4 mm.

# REPAIR PARTS

TRACTOR- -MODEL NO. WZ14536RDHC, PRODUCT NO. 954 56 66-14  
CHASSIS AND ENCLOSURES



# REPAIR PARTS

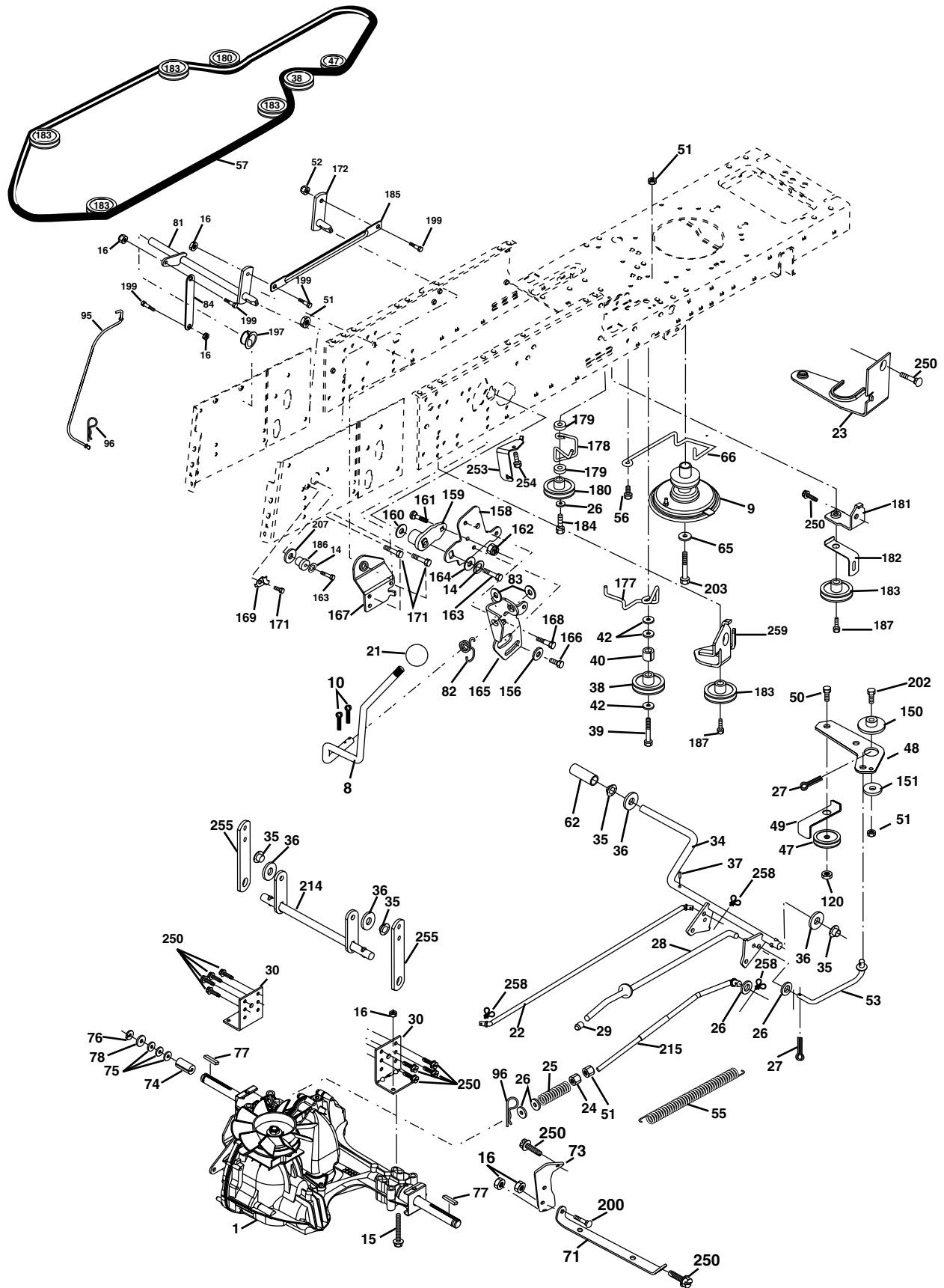
## TRACTOR- -MODEL NO. WZ14536RDHC, PRODUCT NO. 954 56 66-14 CHASSIS AND ENCLOSURES

KEY NO.	PART NO.	DESCRIPTION	KEY NO.	PART NO.	DESCRIPTION
1	<b>174620</b>	Chassis Stamping	69	142432	Screw Hex Wsh Hi-Lo 1/4-20
2	<b>180384</b>	Drawbar	89	<b>177287X428</b>	Console CRD Auto .428
3	17060612	Screw 3/8-16 x 3/4	145	156524	Rod Pivot Chassis/Hood
5	155272	Bumper Hood/Dash	162	<b>180382</b>	Bracket Exten Chassis Lh CRD
6	155923	Saddle	163	<b>180383</b>	Bracket Exten Chassis Rh CRD
8	126471X	Clip Insulator 13/32 Mtg. Hole	164	165605	Support Battery CRD
9	168347X011	Dash	165	<b>179020X428</b>	Cover Battery CRD
10	72140608	Bolt, Carriage 3/8-16 x 3/4	170	<b>178862</b>	Cover, Backplate Plastic Black
11	<b>174996</b>	Panel, Dash, L.H.	171	72140620	Bolt Hex 3/8-16 x 2-1/2 Gr 5
12	145660	Clip Tinnerman Grille P/L	172	19132016	Washer 13/32 x 1-1/4 x 16 Ga.
13	<b>172105X010</b>	Panel, Asm. Dash R.H.	173	73510600	Nut, Keps Hex 3/8-16 UNC
15	74180512	Screw, Machine, Truss Head 5/16-18 UNC x 3/4	175	<b>180310</b>	Trap Door CRD
16	73510500	Nut	178	76020312	Pin Cotter 3/32 x 3/4 Cad Zinc
17	159639X505	Hood Assembly	179	<b>180376</b>	Rod Pivot FBI CRD
18	126938X	Bumper Hood	184	174662	Bracket Actuator Bagger CRD
20	<b>180679</b>	Plate Mtg. Battery/Fuel Tank	185	<b>179608X505</b>	Knob
24	74780616	Bolt	186	160793	Latch Asm Mulch/Bagger
25	19131312	Washer 13/32 x 13/16 x 12 Gauge	187	2029J	Nut Weld
26	73800600	Nut	188	19061216	Washer #10
28	<b>179101</b>	Grille PL	189	10071000	Washer Lock #10
29	140273X599	Lens, Grille	190	71161010	Washer Truss Hd Phil 10-24 x 5/8
30	<b>169962X505</b>	Fender	192	17060624	Screw Thdrol 3/8-16 x 1-1/2
31	165156	Bracket, Fender Support	198	168937	Nut, Push
33	<b>179716X505</b>	Footrest, L.H.	205	17490608	Screw Thdrol 3/8-16 x 1/2
34	<b>179717X505</b>	Footrest, R.H.	208	17670608	Screw Thdrol 3/8-16 x 1/2
35	72110606	Bolt	209	17000612	Screw Hexwsh Thdr 3/8-16 x 3/4
37	17490508	Screw Thdrol 5/16-18 x 1/2 TYT	212	156229	Insert Lens Reflect
38	<b>181748</b>	Bracket Asm Pivot Mower Rear	214	<b>4497H</b>	Retainer, Spring
51	73800400	Nut Lock w/Insert 1/4-20 UNC	215	<b>17060508</b>	Screw 5/16-18 x 1/2
52	19091416	Washer 9/32 x 7/8 x 16 Ga.	219	<b>17000512</b>	Screw 5/16-18 x 3/4
53	144697	Bracket Grille LH	256	<b>180810X428</b>	Cover Fender Rack
54	161464	Screw Hex Wshd 8-18 x 7/8	--	5479J	Plug, Button
55	144696	Bracket Grille RH			
57	74780412	Bolt, Fin Hex 1/4-20 UNC x .75			
58	150127	Duct Air Engine PL/LT			

**NOTE:** All component dimensions given in U.S. inches.  
1 inch = 25.4 mm.

# REPAIR PARTS

TRACTOR- -MODEL NO. WZ14536RDHC, PRODUCT NO. 954 56 66-14  
DRIVE





# REPAIR PARTS

TRACTOR- -MODEL NO. WZ14536RDHC, PRODUCT NO. 954 56 66-14

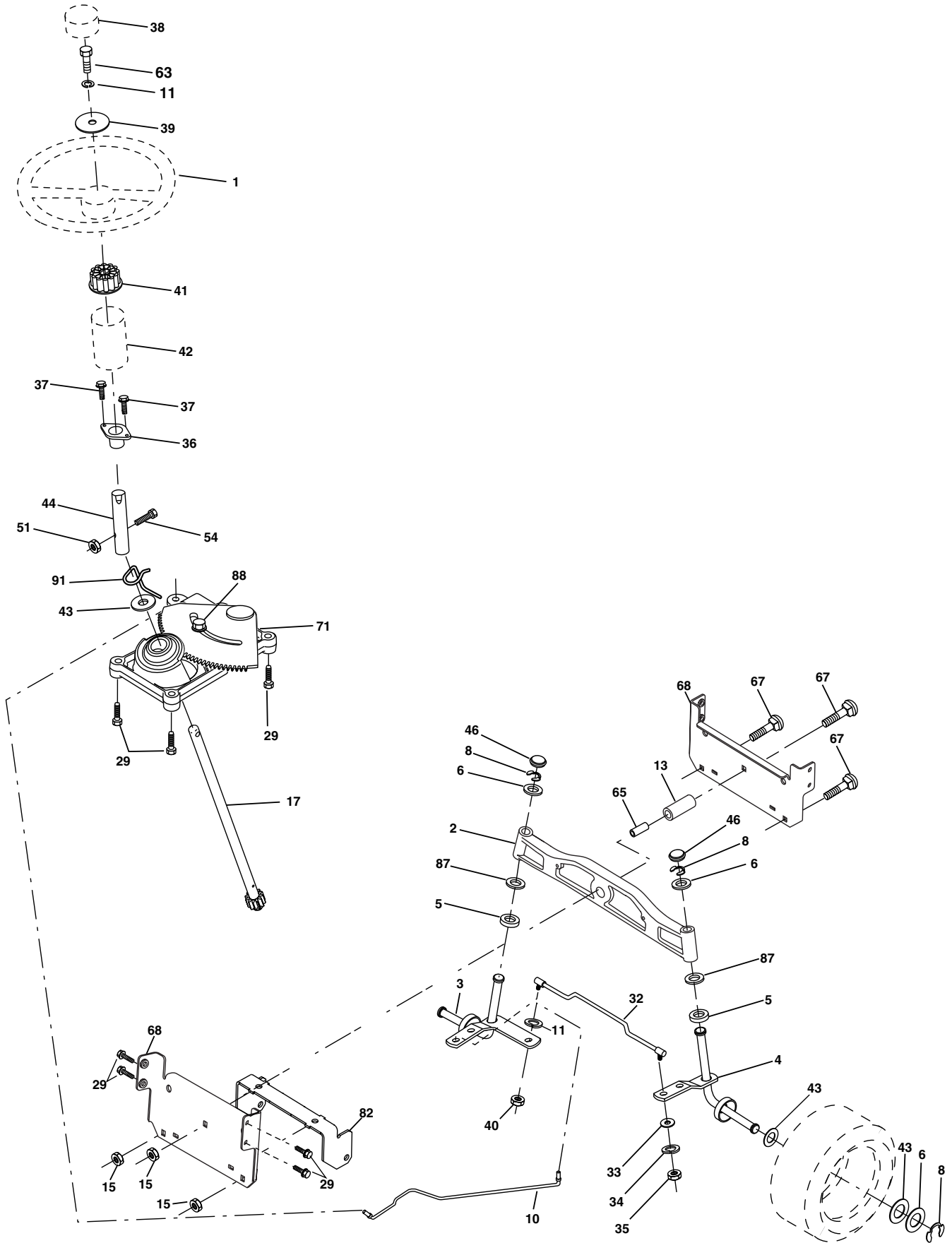
## DRIVE

KEY NO.	PART NO.	DESCRIPTION	KEY NO.	PART NO.	DESCRIPTION
1	-----	Transaxle ( Order part from transaxle manufacturer)	96	4497H	Retainer Spring 1" Zinc/Cad
		Hydro Gear Model 321-0510	120	73900600	Nut Lock Flg 3/8-16unc
8	165619	Rod Shift Fender Adjust	150	165850	Bushing Bellcrank
9	<b>180354</b>	Clutch Asm Noram	151	19133210	Washer 13/32 x 2 x 10 Ga.
10	76020416	Pin Cotter 1/8 x 1 CAD	156	166002	Washer Srrted 5/16ID x 1.125
14	10040400	Washer Lock Hvy Helical	158	165589	Bracket Shift Mount
15	74490544	Bolt Hex 5/16-18 Gr. 5	159	165494	Hub Tapered Flange Shift Lt
16	73800500	Nut Lock Hex W/Ins 5/16-18 Unc P	160	19292016	Washer 29/32 x 1-1/4 x 16 Ga
19	<b>73800600</b>	Nut Lock Hex w/Ins. 3/8-16	161	72140406	Bolt Rdhd Sqnk 1/4-20 x 3/4 Gr. 5
21	130564	Knob, Round 1/2-13	162	73680400	Nut Crownlock 1/4-20 Unc
22	<b>175607</b>	Rod Brake Main CRD	163	74780416	Bolt Hex Fin 1/4-20 Unc x 1 Gr 5
23	<b>175652</b>	Bracket Clutch Noram	164	19091010	Washer 5/8 x .281 x 10 Ga
24	73350600	Nut Hex Jam 3/8-16	165	165623	Bracket Pivot Lever
25	106888X	Spring, Brake Rod	166	166880	Screw 5/16-18 x 5/8
26	19131316	Washer 13/32 x 13/16 x 16 Ga.	167	165588	Bracket Support Shift CRD
27	76020412	Pin Cotter 1/8 x 3/4 CAD.	168	165492	Bolt Shoulder 5/16-18 x .561
28	<b>175765</b>	Rod, Parking Brake	169	165580	Plate Fastening Cross Shf. Stlt/CRD
29	71673	Cap, Parking Brake	171	17490608	Screw Thdrol 3/8-16 x 1/2
30	169592	Bracket, Transaxle	172	170271	Shaft Asm Shifter Frt CRD
34	<b>175578</b>	Shaft, Foot Pedal	177	165932	Keeper Flat Idler
35	120183X	Bearing, Nylon	178	165933	Keeper Belt Idler
36	19211616	Washer 21/32 x 1 x 16 Ga	179	120958X	Washer Sintered
37	1572H	Pin, Roll	180	165630	Pulley Flat Idler
38	165936	Pulley, Composite Flat	181	<b>180211</b>	Bracket Idler Ground Drive CRD
39	74760644	Bolt Fin Hex 3/8-16 x 2 3/4	182	165634	Keeper Belt 2.5"OD V-Idler CRD
40	4470J	Spacer, Split	183	<b>179050</b>	Pulley V-Idler 2.50"OD CRD
42	19131312	Washer 13/32 x 13/16 x 12 Gauge	184	17490644	Scr Hexwsh Thdrol 3/8-16 x 2-3/4
47	127783	Pulley, Idler, V-Groove	185	170008	Link shift CRD Hydro
48	154407	Bellcrank Assembly	186	165614	Hub Tapered Round CRD
49	123205X	Retainer, Belt	187	<b>17580520</b>	Screw Thdrol 5/16-18 x 1-1/4
50	74760624	Bolt Hex Hd 3/8-16 x 1 1/2	197	169613	Nyliner Snap-In 5/8" ID
51	73680600	Nut Crownlock 3/8-16 UNC	199	169612	Bolt Shoulder 5/16-18unc
52	73680500	Nut Crownlock 5/16-18 UNC	200	72140508	Bolt RDHD SQNK 5/16-18unc x 1
53	105710X	Link, Clutch	202	<b>72110614</b>	Bolt Carr Sh 3/8-16 x 1-3/4 Gr. 5
55	105709X	Spring, Return, Clutch	203	71170780	Bolt, Hex 7/16-20 x 5
56	74760620	Bolt Fin Hex 3/8-16 UNC x 1-1/4	207	169845	Washer Nylon Rear
57	170140	V-Belt, Ground Drive	214	<b>175609</b>	Shaft Asm. Brake
62	8883R	Cover, Pedal	215	<b>175652</b>	Rod Brake Hydro CRD
65	10040700	Washer	250	17060612	Screw 3/8-16 x 3/4
66	154778	Keeper Belt Engine	253	<b>175028</b>	Bracket Cable
71	169183	Strap Torque Lh Hydro	254	<b>17060616</b>	Screw 3/8-16 x 1
73	169182	Strap Torque Rh Hydro	255	<b>175608</b>	Brace Shaft Brake
74	137057	Spacer, Split	258	<b>178062</b>	Clip Retainer
75	121749X	Washer 25/32 x 1-1/4 x 16 Gauge	259	<b>180212</b>	Bracket Pulley Idl
76	12000001	E-Ring	261	<b>173438</b>	Pulley Idler
77	123583X	Key, Square	263	<b>72140624</b>	Bolt Rdhd Sn 3/8-16 x 3
78	121748X	Washer 25/32 x 1-5/8 x 16 Gauge	264	<b>181995</b>	Bracket Clutch
81	170006	Shaft Asm. Cross	265	<b>182013</b>	Spacer Idler Chassis
82	<b>165711</b>	Spring Torsion	266	<b>182061</b>	Shield Idler
83	19171216	Washer 17/32 x 3/4 x 16 Ga.	267	<b>17000612</b>	Screw Hxwsh 3/8-16 x 3/4
84	170007	Link Transaxle			
95	170015	Rod Bypass CRD			

**NOTE:** All component dimensions given in U.S. inches  
1 inch = 25.4 mm

# REPAIR PARTS

## TRACTOR- -MODEL NO. WZ14536RDHC, PRODUCT NO. 954 56 66-14 STEERING ASSEMBLY



# REPAIR PARTS

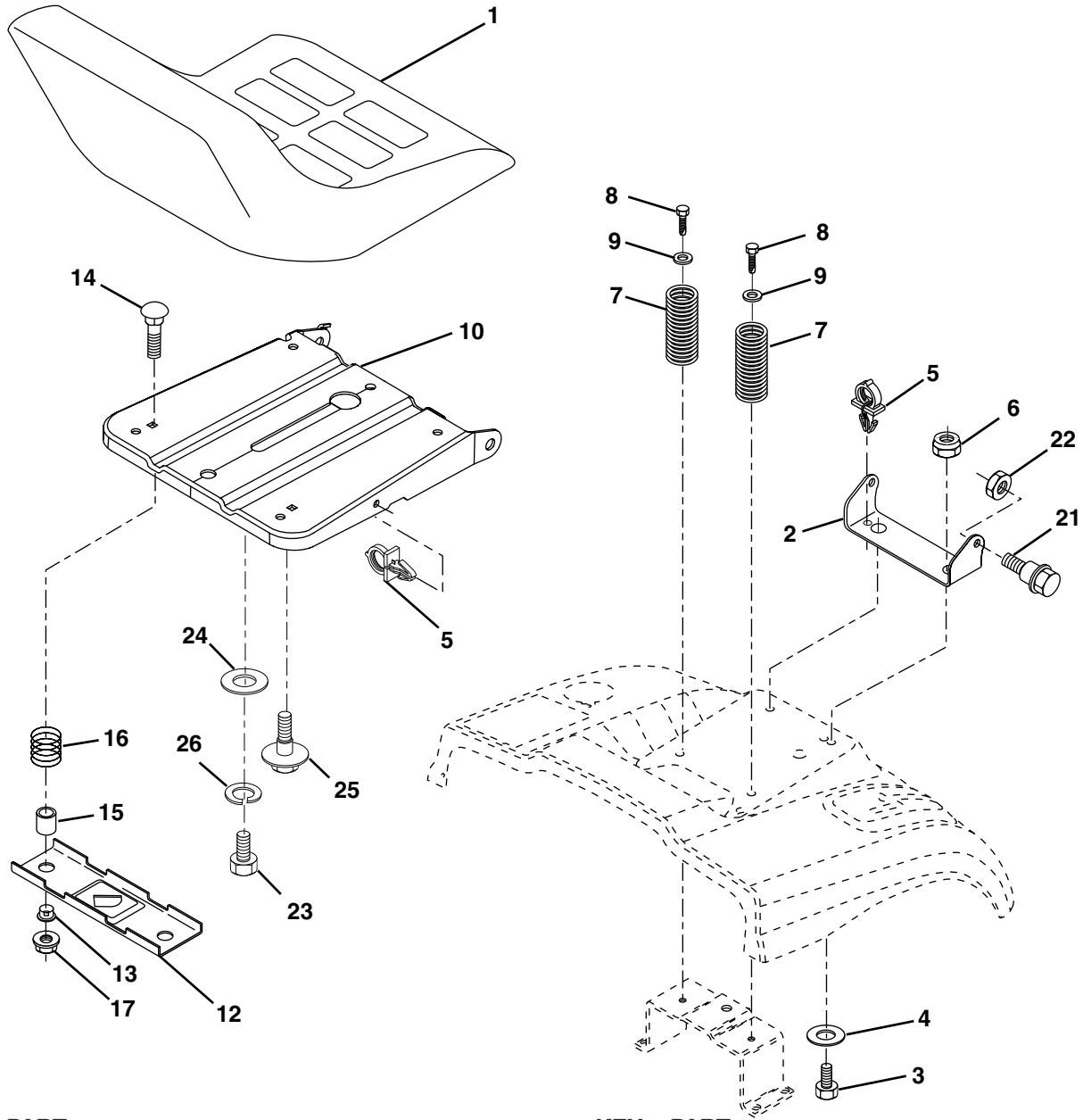
## TRACTOR- -MODEL NO. WZ14536RDHC, PRODUCT NO. 954 56 66-14 STEERING ASSEMBLY

KEY NO.	PART NO.	DESCRIPTION
1	<b>140044X428</b>	Steering Wheel
2	172393	Cast Lt Machined
3	169840	Spindle Assembly, L.H.
4	169839	Spindle Assembly, R.H.
5	6266H	Washer, Thrust .75 x 1.230
6	121748X	Washer 25/32 x 1-5/8 x 16 Gauge
8	12000029	Ring, Klip
10	<b>175121</b>	Link, Drag
11	10040600	Washer, Lock
13	136518	Spacer Brg Axle Front
15	145212	Nut, Hex Flange Lock
17	<b>177876</b>	Shaft Assembly, Steering
29	17060612	Screw 3/8-16 x 3/4
32	170162	Rod, Tie
33	19111216	Washer 11/32 x 3/4 x 16 Ga
34	10040500	Washer Lock Hvy Hlcl Spr 5/16
35	<b>73540500</b>	Locknut 5/16-24 Unf
36	155099	Bushing, Steering
37	152927	Screw TT #10-32 x 5 x 3/8 Flange
38	<b>140045X428</b>	Cap Wheel Steering
39	19133812	Washer 13/32 x 2-3/8 x 12 Gauge
40	7810H	Nut Lock Center 3/8-24 Unf
41	100711L	Adaptor, Steering Wheel
42	145054X428	Boot, Steering Dash P/L Mtl
43	121749X	Washer 25/32 x 1-1/4 x 16 Gauge
44	153720	Extension Steering Non-Adjust
46	121232X	Cap, Spindle
51	73800500	Nut Lock Hx W/Ins 5/16-18 UNC
54	74780520	Bolt Fin Hex 5/16-18 UNC x 1-1/4
63	74780616	Bolt Fin Hex 3/8-16 unc. x 1 Gr. 5
65	160367	Spacer Brace Axle
67	72140618	Bolt Rdhd Sqnk 3/8-16unc x 2-1/4
68	169827	Brace Axle
71	<b>175146</b>	Steering Asm.
82	169835	Bracket Susp Chassis Front 15"
87	173966	Washer Flat .781 x 1-1/2
88	<b>175118</b>	Bolt Shoulder 7/16-20
91	<b>175553</b>	Clip Steering

**NOTE:** All component dimensions given in U.S. inches.  
1 inch = 25.4 mm.

# REPAIR PARTS

TRACTOR- -MODEL NO. WZ14536RDHC, PRODUCT NO. 954 56 66-14  
SEAT



KEY NO.	PART NO.	DESCRIPTION
1	127427	Seat
2	140551	Bracket Pnt Pivot Seat (blk )
3	<b>7110616</b>	Bolt Fin Hex 3/8-16 x 1.0
4	<b>19131610</b>	Washer Flat 13/32 x 1 x 10 Ga.
5	145006	Clip Push In Hinged
6	<b>73800600</b>	Nut Lock Hex w/Ins. 3/8-16
7	124181X	Spring Seat Cprsn 2 250 Blk Zi
8	17000616	Screw 3/8-16 X 1-1/2
9	19131614	Washer 13/32 X 1 X 14 Ga
10	174894	Pan Pnt Seat (blk )
12	121246X	Bracket Pnt Mounting Switch
13	121248X	Bushing Snap Blk Nyl 50 Id

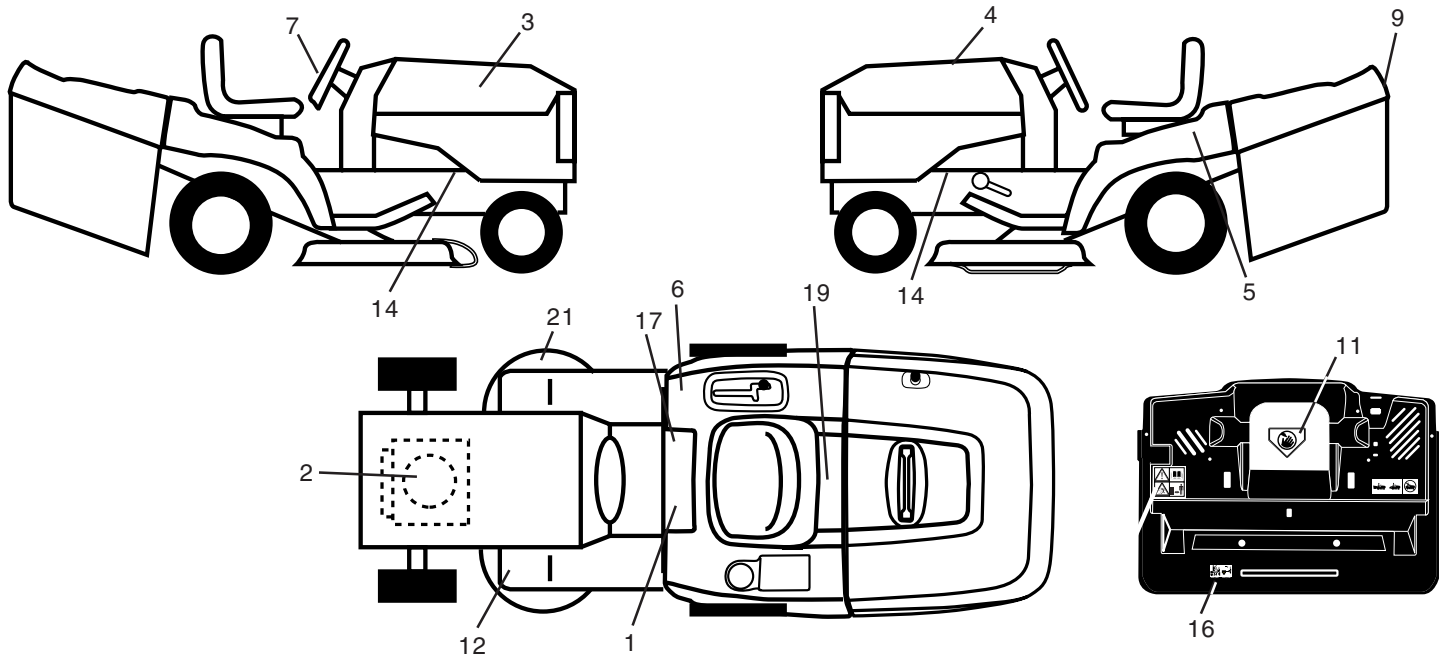
KEY NO.	PART NO.	DESCRIPTION
14	72050412	Bolt Rdhd Sht Nk 1/4-20x1-1/2
15	134300	Spacer Split
16	121250X	Spring Cprsn Plate SW 1.310 Ga
17	123976X	Nut Lock 1/4 Lge Flg Gr 5 Zinc
21	171852	Bolt Shoulder 5/16-18 Unc-2A
22	73800500	Nut Hex Lock w/Ins 5/16-18
23	74780814	Bolt Fin Hex 1/2-13 x 7/8 Gr 5
24	19171912	Washer 17/32 X 1-3/16 X 12 Ga.
25	127018X	Bolt Shoulder 5/16-18 X 62
26	10040800	Washer Lock Hvy Hlcl Spr 1/2

**NOTE:** All component dimensions given in U.S. inches.  
1 inch = 25.4 mm

# REPAIR PARTS

TRACTOR- -MODEL NO. WZ14536RDHC, PRODUCT NO. 954 56 66-14

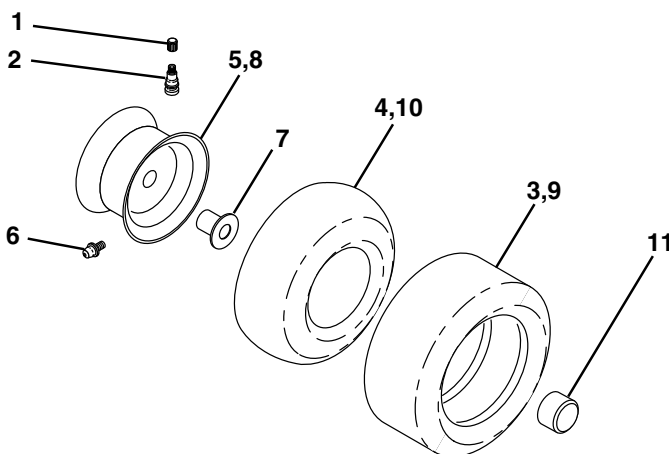
## DECALS



KEY NO.	PART NO.	DESCRIPTION
1	145498	Decal Read Owner's Manual Sym
2	176396	Decal Hp Engine
3	172669	Decal Hood Rh
4	172671	Decal Hood Lh
5	145005	Decal Bat. Dan/Poi
6	<b>180432</b>	Decal 100 DBA/CE
7	167108	Decal Ins Strg Whl
9	163769	Decal Fender Logo
11	145494	Decal Mower Cut Finger Symbol
12	159737	Decal Brake/Clutch Symbol Lt
14	159736	Decal Chassis Hot Muffler

KEY NO.	PART NO.	DESCRIPTION
16	<b>180435</b>	Decal Back Plate
17	140837	Decal Saddle Brake Parking
19	166960	Decal Bypass Fender
21	166286	Decal Deck Sch 92 CRD
--	<b>179768X428</b>	Pad Footrest Lh
--	138311	Decal Lift Handle
--	<b>179769X428</b>	Pad Footrest Rh
--	<b>182149</b>	Manual Operator's (Euro)
--	<b>182150</b>	Manual Operator's (Scan)
--	<b>182151</b>	Manual Parts

## WHEELS & TIRES

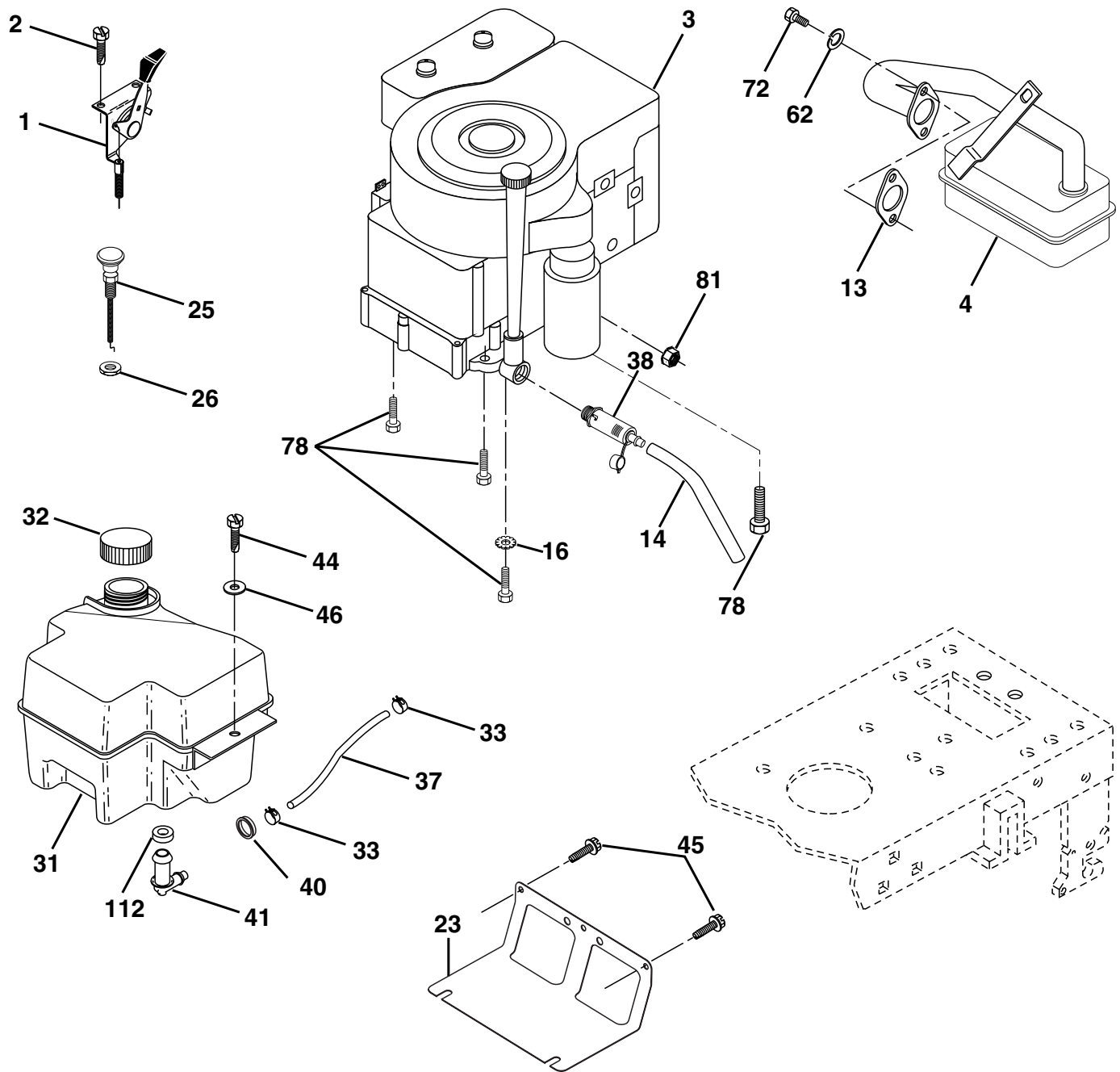


KEY NO.	PART NO.	DESCRIPTION
1	59192	Cap Value Tire
2	65139	Stem Value
3	106222X	Tire F Ts 15 X 6 0 - 6 Service
4	59904	Tube Inner Front #35060
5	106732X427	Rim Asm 6"front Service
6	278H	Fitting Grease
7	9040H	Bearing Flange
8	106108X427	Rim Asm 8"rear Service
9	138468	Tire R Ts 20 x 8-8 Service
10	7152J	Tube Rear 9 5 X 8 Service
11	104757X	Cap Axle Blk 1 50 X 1 00
--	144334	Sealant, Tire (10 oz. tube)

**NOTE:** All component dimensions given in U.S. inches  
1 inch = 25.4 mm

# REPAIR PARTS

TRACTOR- -MODEL NO. WZ14536RDHC, PRODUCT NO. 954 56 66-14  
ENGINE



29

**OPTIONAL EQUIPMENT**  
**Spark Arrester**

# REPAIR PARTS

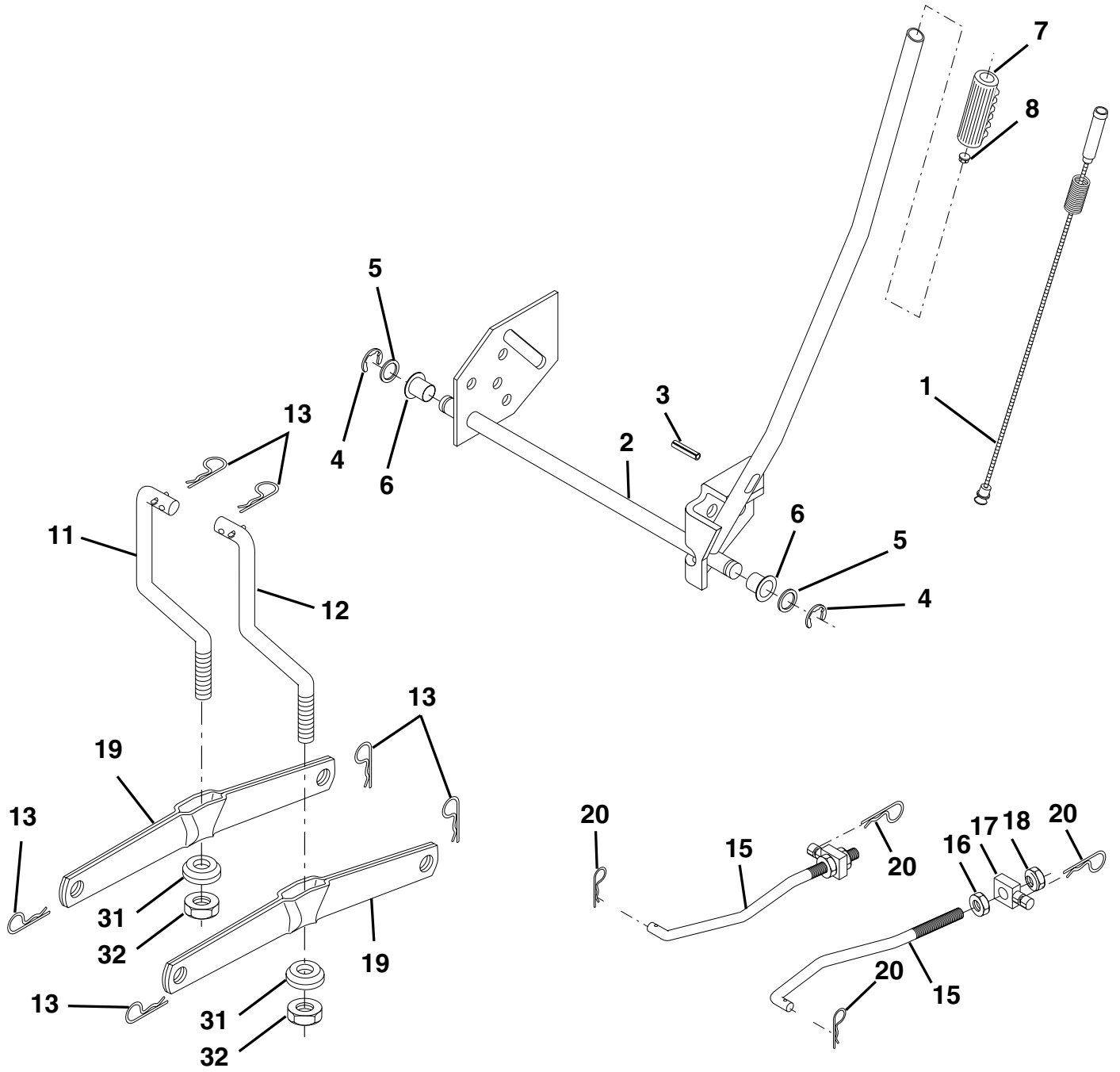
TRACTOR- -MODEL NO. WZ14536RDHC, PRODUCT NO. 954 56 66-14  
ENGINE

KEY NO.	PART NO.	DESCRIPTION
1	<b>170551</b>	Control Throt
2	<b>17720408</b>	Screw Hex Thd Cut 1/4-20 x 1/2 T
3	-----	Engine Briggs Model 287707 (Order Parts from Engine Manufacturer)
4	137352	Muffler Exhaust B&S Lt
13	165291	Gasket 1 313 Id Tin Plated
14	148456	Tube Drain Oil Easy
16	11050600	Washer Lock Ext Tooth 3/8
23	169837	Shield Browning/Debris Guard
25	<b>180945</b>	Control Choke
26	<b>73920600</b>	Nut Keps 3/8-24 Unf
29	137180	Arrestor Spark
31	<b>180645</b>	Tank Fuel 2.00 Fr
32	140527	Cap Asm Fule Top Vent N/Lany
33	123487X	Clamp Hose Blk
37	137040	Line Fuel 20"
38	148315	Plug Oil Drain Easy
40	<b>124028X</b>	Bushing Snap-In
41	<b>139277</b>	Stem Tank Fuel
44	17670412	Screw Hexwsh Thdrol 1/4-20 x 3/4
45	17000612	Screw Hexwsh Thdr 3/8-16 x 3/4
46	19091416	Washer 9/32 X 7/8 X 16ga
62	10040500	Washer Lock Hvy Hlcl Spr 5/16
66	127951	Stop Throttle 3000 Rpm
72	71070512	Screw Hexhd Cap 5/16-18 x 3/4
78	17060620	Screw 3/8-16x1-1/4
81	73510400	Nut Keps Hex 1/4-20 Unc
112	<b>3645J</b>	Bushing

**NOTE:** All component dimensions given in U.S. inches  
1 inch = 25.4 mm

# REPAIR PARTS

TRACTOR- -MODEL NO. WZ14536RDHC, PRODUCT NO. 954 56 66-14  
MOWER LIFT





# REPAIR PARTS

TRACTOR- -MODEL NO. WZ14536RDHC, PRODUCT NO. 954 56 66-14  
MOWER LIFT

KEY NO.	PART NO.	DESCRIPTION
1	159460	Washer Asm Inner Spring W/Plunger
2	159471	Shaft Asm. Lift
3	105767X	Pin Groove
4	12000002	E Ring #5133-62
5	19211621	Washer 21/32 x 1 x 21 Ga.
6	120183X	Bearing Nylon
7	109413X	Grip Handle
8	124526X	Button Plunger Black
11	165829	Link Asm Lift L.H.
12	165831	Link Asm Lift R.H.
13	4939M	Retainer Spring
15	173288	Link Front
16	73350800	Nut Jam Hex 1/2-13 Unc
17	<b>175689</b>	Trunnion Blk Zinc
18	73800800	Nut Lock w/Wsh 1/2-13 Unc
19	139868	Arm Suspension Mower
20	163552	Retainer Spring
31	169865	Bearing, Pvt. Lift. Spherical
32	73540600	Nut Crownlock 3/8-24

**NOTE:** All component dimensions given in U.S. inches  
1 inch = 25.4 mm



# REPAIR PARTS

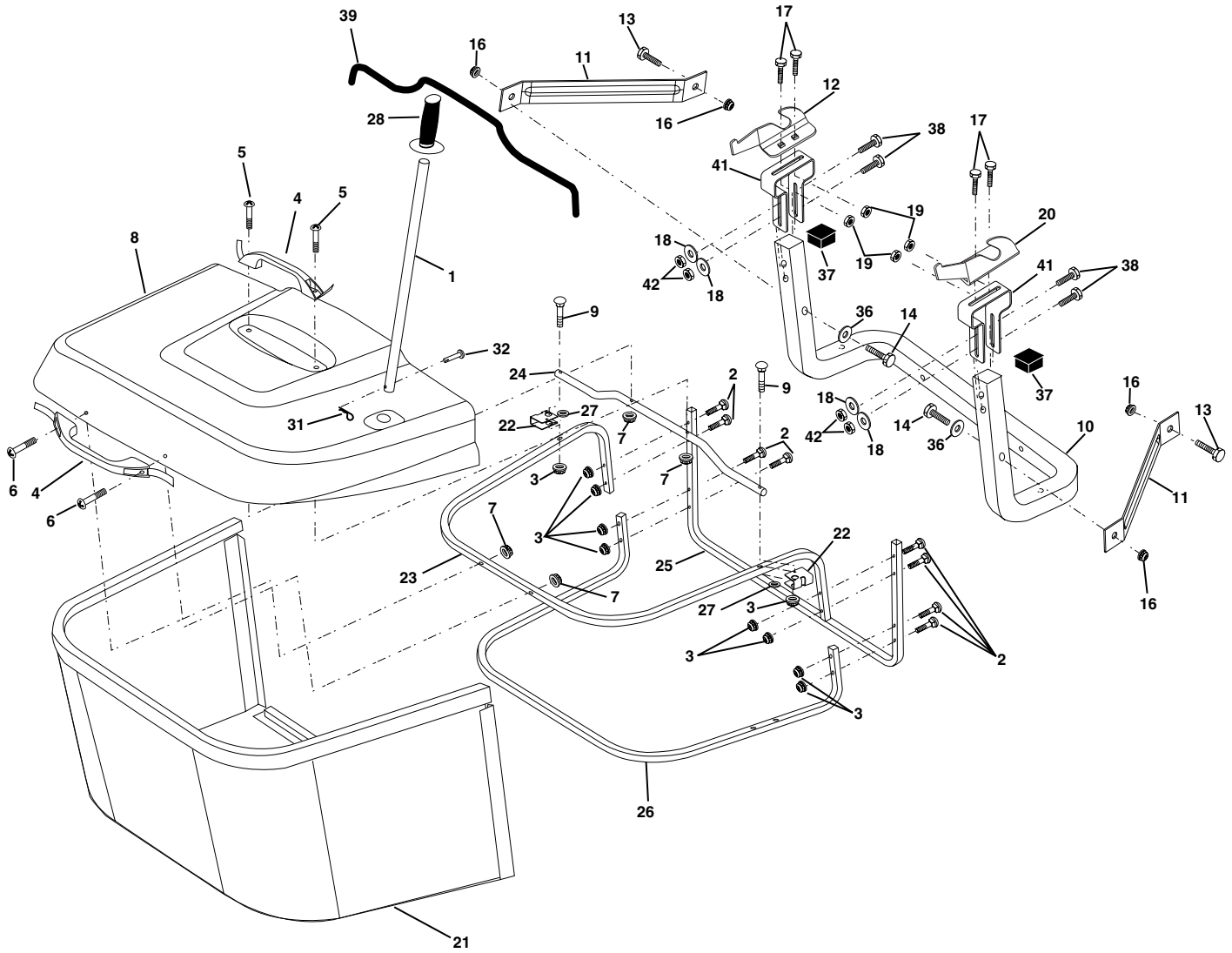
TRACTOR- -MODEL NO. WZ14536RDHC, PRODUCT NO. 954 56 66-14  
MOWER

KEY NO.	PART NO.	DESCRIPTION	KEY NO.	PART NO.	DESCRIPTION
1	165552	Housing Asm. Mower 92 CRD	44	<b>175538</b>	Cover Mandrel Lh 92 CRD
2	72140506	Bolt Rdhd Sqnk 5/16-18 Unc x 3/4	45	<b>175539</b>	Cover Mandrel Rh 92 CRD
3	165569	Bracket Asm. S-Bar Chass 92 CRD	46	137729	Screw Thd Roll 1/4-20 x 5/8
4	165558	Bracket Bar Sway Deck 92 CRD	55	165445	Arm Idler 92 CRD
5	4939M	Retainer Spring	56	165723	Spacer Retainer Mower
6	165557	Bar Sway 92 CRD	61	165945	Spring Tension Belt
8	<b>181712</b>	Bolt 3/8-24 x 1.25 Gr8 Patched	67	106932X	Knob Rd 3/8-16 Plstdc Thds Blk
9	10030600	Washer Lock Hvy 3/8 Unplated	68	<b>180217</b>	Hex-Belt 92
11	170037	Blade 3-1 Lh	69	165482	Shaft Asm W/Lwr Brg Rh Thd CRD
13	137645	Shaft Asm. W/Lower Bearing	84	156085	Keeper Belt Idler
14	128774	Housing Mandrel Vented (Machd)	116	137644	Bolt Shoulder
15	110485X	Bearing Ball Mandrel	117	133957	Wheel Gage Donut Wide
16	170038	Blade 3-1 Rh	118	73930600	Nut Centerlock 3/8-16 Unc
17	72140610	Bolt Carriage 3/8-16 x 1-1/4	119	19121414	Washer 3/8 x 7/8 x 14 Ga.
18	72110608	Bolt Rdhd Sqnk 3/8-16 x 1 Gr5	124	72110612	Bolt Carr Sh 3/8-16 x 1-1/2 Gr5
19	132827	Bolt Shoulder 5/16-18 Thd Form	130	72110506	Bolt Rdhdsqnk 5/16-18 Unc x 3/4
20	<b>181713</b>	Bolt 3/8-24 x 1.25 Gr8 Ptch Lhthd	131	165661	Chute Bagger CRD 92cm
21	73680500	Nut Crown Lock 5/16-18	151	169670	Bracket Clutch Cable
22	165243	Bracket Idler Sprt RR 92 CRD	152	176074	Cable Clutch CRD Service
23	165446	Bracket Idler Sprt RF 92 CRD	153	169674	Washer Flat 3/8" Type B
24	165242	Bracket Suspension LF 92 CRD	154	169675	Spring Retainer
25	165244	Bracket Suspension RF 92 CRD	155	169671	Spring Retention Lvr Clutch Cable
26	165237	Brace Support Susp Frt CRD	156	169672	Spacer Clutch Cable
27	165568	Bracket Asm. Susp RR 92 CRD	157	169669	Rod Clutch Cable 3/8"
28	165567	Bracket Asm. Susp LR 92 CRD	158	17720410	Screw Hex Thd Cut 1/4-20 x 5/8
30	<b>173984</b>	Screw Thd Rolling Washer Head	161	<b>180418</b>	Blade Cross Lh
31	129963	Washer Spacer Mower Vented	162	<b>180420</b>	Adapter Blade Cross
32	153531	Mandrel Pulleys 36 & 46	163	<b>180419</b>	Blade Cross Rh
33	<b>178342</b>	Nut Flg Top Lock	-	<b>181857</b>	Mandrel Asm Service
34	165239	Bracket Gauge Wheel Lf 92 CRD	-	<b>181858</b>	Mandrel Asm CRD Lh Threads SVC
35	165238	Bracket Gauge Wheel Rf 92 CRD	-	<b>181765</b>	Deck Mower Complete
36	146763	Pulley Idler V-Groove Dim 4.25			
37	19131316	Washer 11/32 x 13/16 x 16 Ga			
40	73680600	Nut Crownlock 3/8-16 Unc			

**NOTE:** All component dimensions given in U.S. inches  
1 inch = 25.4 mm

# REPAIR PARTS

TRACTOR- -MODEL NO. WZ14536RDHC, PRODUCT NO. 954 56 66-14  
BAGGER



# REPAIR PARTS

TRACTOR- -MODEL NO. WZ14536RDHC, PRODUCT NO. 954 56 66-14  
BAGGER

KEY NO.	PART NO.	DESCRIPTION
1	<b>165249</b>	Tube Handle Bagger CRD
2	72140416	Bolt Carriage 1/4-20 x 2.0 Gr.5
3	123976X	Nut Lock 1/4 Lge Flg Gr. 5 Zinc
4	169916	Handle Bagger w/Lvrs Blk CRD
5	74981024	Screw Pan Head #10-24 x 1.50 Blk
6	74981032	Screw Pan Hd
7	73401000	Nut Wiz Lock Hex Serr/Hd 10-24
8	<b>169963X505</b>	Cover Bagger Plastic CRD
9	72140418	Bolt Carriage 1/4-20 x 2.25d x Gr.5
10	<b>181282</b>	Tube Support Bagger CRD
11	165719	Bracket Support Upper Bag CRD
12	169685	Bracket Horizon Adj Bggr Lh CRD
13	72110606	Bolt Rdhd Sht Sqnk 3/8-16 x 3/4
14	74520640	Bolt Hex 3/8-16 x 2-1/2 Gr.5
16	73900600	Nut Lock Flg 3/8-16 Unc
17	72140506	Bolt Rdhd Sht Sqnk 5/16 -18 Unc x 3/4
18	19111216	Washer 11/32 x 3/4 x 16
19	73900500	Nut Lock Hex Flange 5/16-18
20	169684	Bracket Horiz Adj Bggr RH CRD
21	<b>180880</b>	Bag Asm CRD
22	165781	Bracket Side Bagger CRD
23	165782	Tube Upper Bagger CRD
24	165783	Tube Pivot Bagger CRD
25	<b>180124</b>	Tube Front Bagger CRD
26	165785	Tube Lower Bagger CRD
27	169692	Bushing Snap Bagger CRD
28	<b>165787</b>	Grip Handle Black
31	4497H	Retainer Spring 1" Zinc/Cad
32	126875X	Rivet Rd Hd Drilled 3/8 Dia
36	19132016	Washer 13/32 x 1-1/4 x 16 Ga.
37	175401	Plug Support Bagger CRD
38	72010520	Bolt 5/16-18 x 2-1/2
39	<b>180985</b>	Seal Trim 37"
41	169683	Bracket Vert Adj Bagger CRD
42	73800500	Nut Lock 5/16-18

**NOTE:** All component dimensions given in U.S. inches  
1 inch = 25.4 mm

## LIMITED WARRANTY

The Manufacturer warrants to the original consumer purchaser that this product as manufactured is free from defects in materials and workmanship. For a period of one (1) year from date of purchase by the original consumer purchaser, we will repair or replace, at our option, without charge for parts or labor incurred in replacing parts, any part which we find to be defective due to materials or workmanship. This Warranty is subject to the following limitations and exclusions.

1. This warranty does not apply to the engine. Please contact your nearest dealer where they will send the machine to the engine manufacturer.
2. Transportation charges for the movement of any power equipment unit or attachment are the responsibility of the purchaser. Transportation charges for any parts submitted for replacement under this warranty must be paid by the purchaser unless such return is requested by your dealer.
3. Battery Warranty: On products equipped with a Battery, we will replace, without charge to you, any battery which we find to be defective in manufacture, during the first ninety (90) days of ownership. After ninety (90) days, we will exchange the Battery, charging you 1/12 of the price of a new Battery for each full month from the date of the original sale. Battery must be maintained in accordance with the instructions furnished.
4. The Warranty period for any products used for rental or commercial purposes is limited to 90 days from the date of original purchase.
5. This Warranty applies only to products which have been properly assembled, adjusted, operated, and maintained in accordance with the instructions furnished. This Warranty does not apply to any product which has been subjected to alteration, misuse, abuse, improper assembly or installation, delivery damage, or to normal wear of the product.
6. Exclusions: Excluded from this Warranty are belts, blades, blade adapters, normal wear, normal adjustments, standard hardware and normal maintenance.
7. In case of any problem within the boundaries of this warranty, contact the nearest department store, indicate the model number, serial number and the date of purchase of your machine. This warranty does not apply to accidental damages. All implicit warranties are limited to the same time frames. Or contact:

E.M. Services  
54 Rue Lambrechts  
92400 Courbevoie  
France  
Telephone: (1) 46678078  
Fax: (1) 46678095

THIS WARRANTY DOES NOT APPLY TO INCIDENTAL OR CONSEQUENTIAL DAMAGES. ANY IMPLIED WARRANTIES ARE LIMITED TO THE SAME TIME PERIODS STATED HEREIN.