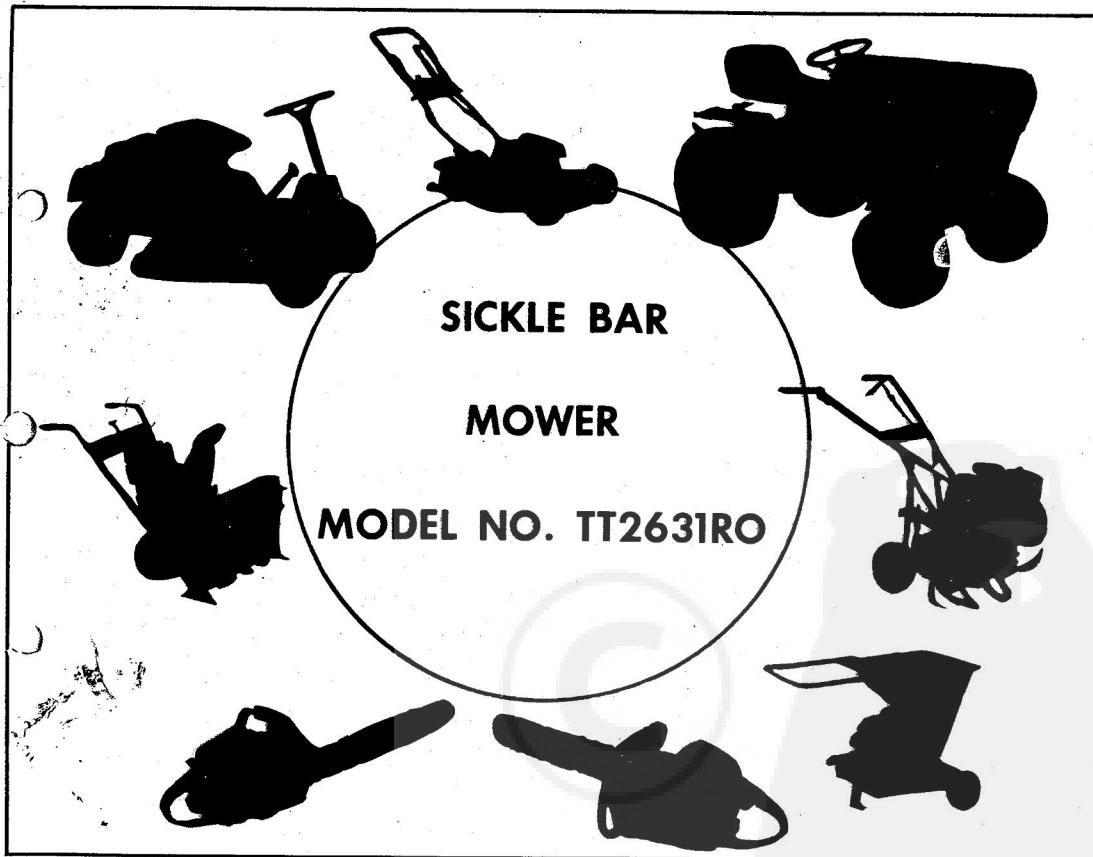


ROPER

OUTDOOR POWER EQUIPMENT OWNER'S MANUAL



CAUTION: Read rules for safe operation and all instructions carefully.

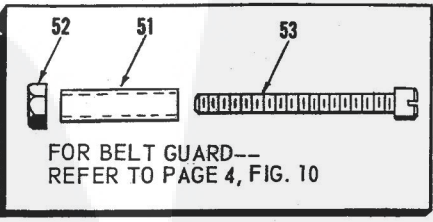
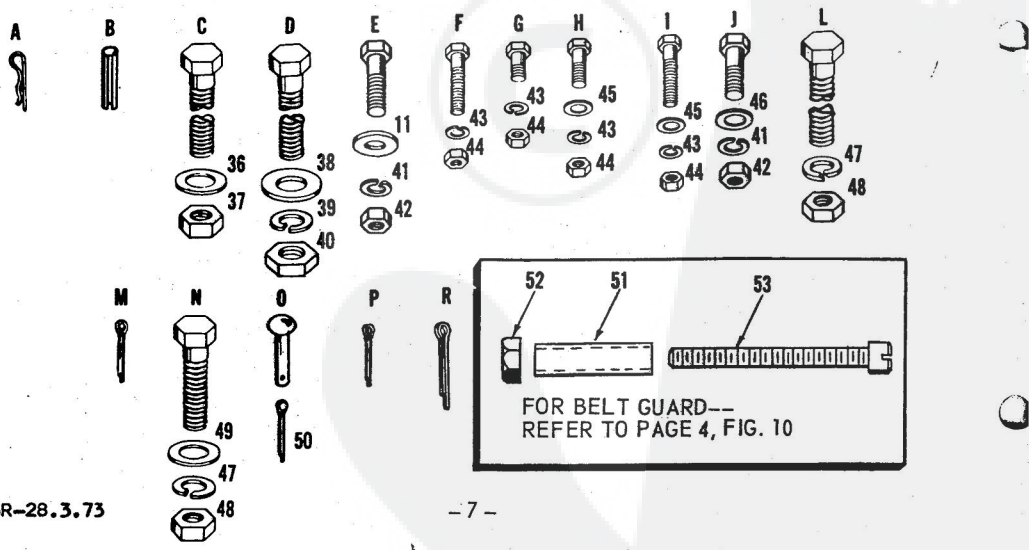
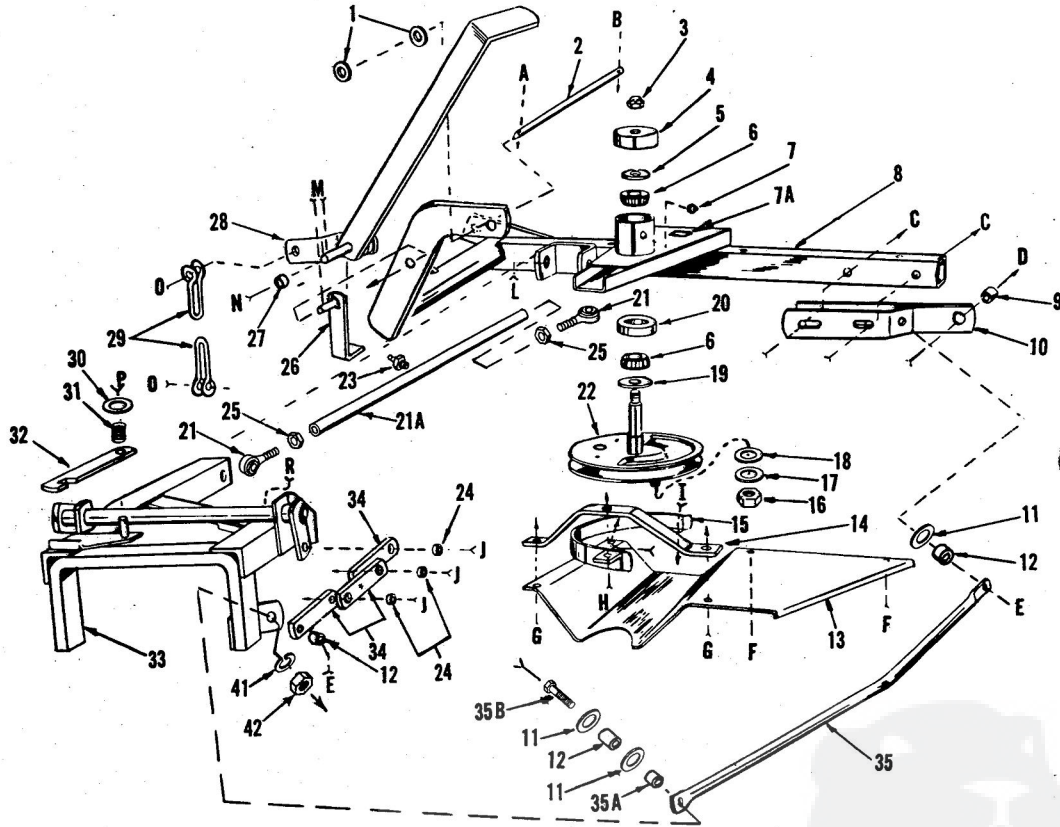
- ASSEMBLY
- OPERATING
- MAINTENANCE
- REPAIR PARTS

ROPER SALES CORP.

3936R-23. 5. 74

1905 W. COURT ST. / KANKAKEE, ILLINOIS 60901

SICKLE BAR MOWER --- MODEL NUMBER TT263IRO

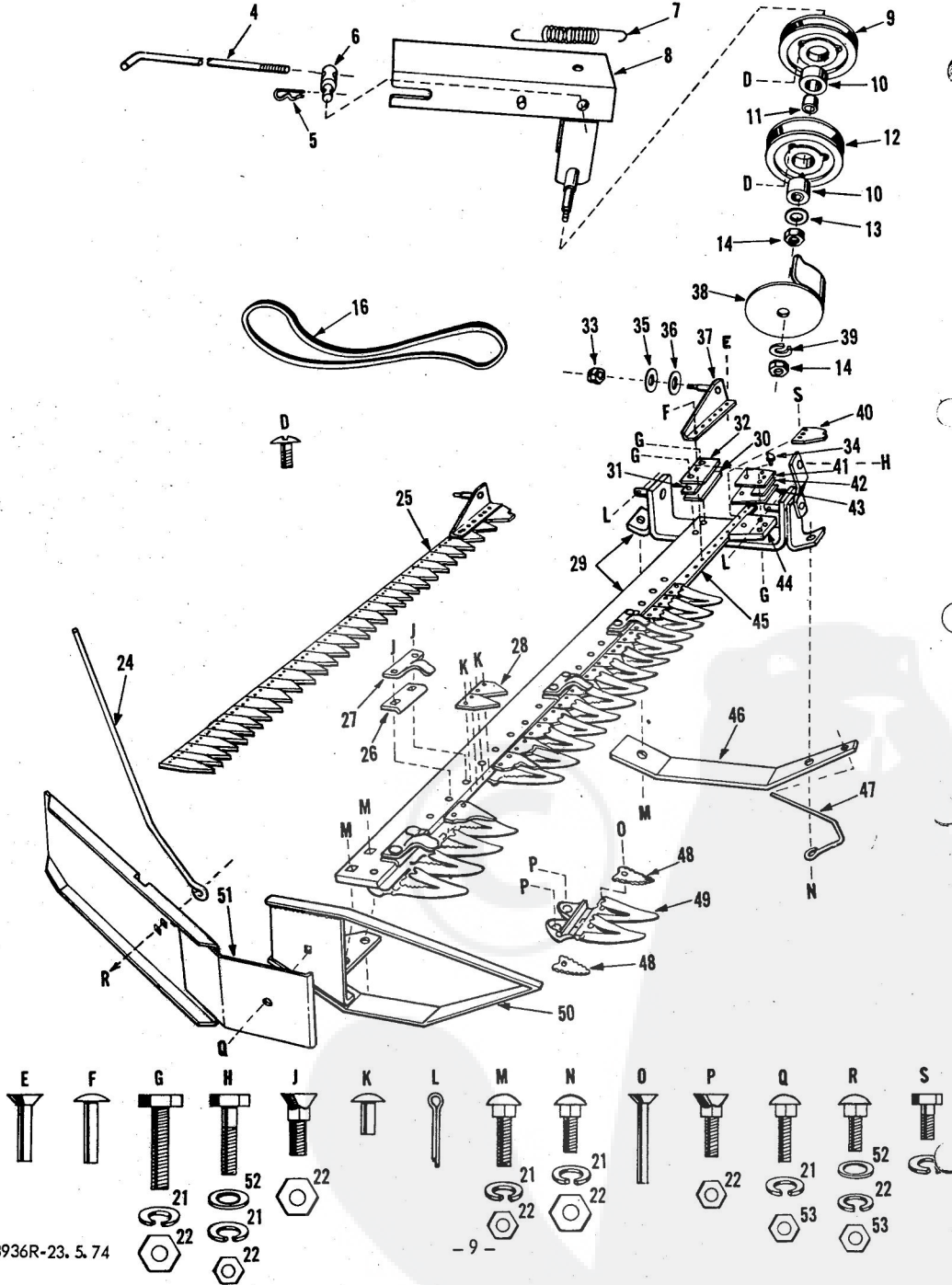


SICKLE BAR MOWER --- MODEL NUMBER TT2631RO

KEY NO.	PART NO.	DESCRIPTION	KEY NO.	PART NO.	DESCRIPTION
1	5309H	Cushion Washer	36	1522P	*Washer, 1/2 x 1 1/4 x 14 Ga.
2	5235H1	Frame Hanger Shaft	37	500P	*Hex Nut, 7/16-14
3	5304H	Elastic Stop Nut 5/8-18	38	1503P	*Washer, 21/32 x 1-5/16 x 13 Ga. Cad. Plated
4	5280H	Dust Cap	39	1008P	*Lockwasher 5/8 Cad. Plated
5	1503P	*Washer, 21/32 x 1-5/16 x 13 Ga.	40	506P	*Hex Nut, 5/8-11 Cad. Plated
6	1554H	Timken Cone	41	1004P	*Lockwasher, 3/8
7	6855M	Grease Fitting	42	500P	*Hex Nut, 3/8-16
7A	-----	Model Number Plate	43	1003P	*Lockwasher, 5/16
8	634A287	Frame Weldment with Bearing Cups	44	504P	*Hex Nut, 5/16-18
9	2623M	Bushing	45	1537P	*Washer, 11/32 x 11/16 x 16 Ga. Cad. Plated
10	606A286	Frame Strap Front Weldment	46	1517P	*Washer, 7/16 x 1 x 14 Ga.
11	1517P	*Washer, Flat 7/16 x 1 x 14 Ga.	47	1000P	*Lockwashers, 1/2 Cad. Plated
12	5277H	Bushing	48	502P	*Nut, Hex 1/2-13 Cad. Plated
13	5282H	Flywheel Guard	49	1501P	*Washer, 9/16 x 1-3/8 x 12 Ga.
14	5249H	Flywheel Guard Bracket	50	2505P	*Cotter Pin, 1/8 x 3/4
15	606A287	Belt Guide Weldment-Flywheel	51	8238H	Split Spacer
16	357H	Huglock Nut	52	347H	Huglock Nut
17	5305H	Thrust Washer	53	3154P	*Machine Screw, Slotted Fillister Hd. 1/4-20 UNC x 3/4 Plated
18	5306H	Thrust Washer	A	4940M	Retainer Spring
19	5310H	Grease Retainer Washer	B	1572H	Roll Pin
20	1553H	Timken Cup	C	3040P	*Bolt, Hex 7/16-14 x 3
21x	9244H	Spherical Rod End	D	3049P	*Bolt, Hex 5/8-11 x 2 Cad. Plated
21A	9242H	Pitman Tube	E	3025P	*Bolt, Hex 3/8-16 x 1 1/4
22	634A301	Flywheel Assembly	F	3016P	*Bolt, Hex 5/16-18 x 2 1/4 Cad. Plated
23	278H	Grease Fitting	G	3010P	*Bolt, Hex 5/16-18 x 3/4 Cad. Plated
24	7939M	Bushing	H	3011P	*Bolt, Hex 5/16-18 x 1
25	512P	*Nut, Hex Jam ASF 5/8-18 UNF Plated	I	3016P	*Bolt, Hex 5/16-18 x 2 1/4
26	606A290	Transport Stop and Rivet	J	3023P	*Bolt, Hex 3/8-16 x 1
27	6523H	Bushing	L	3047P	*Bolt, Hex 1/2-13 x 3/4
28	634A286	Foot Lever Weldment	M	2505P	*Cotter Pin, 1/8 x 3/4
29	5234H	Clevis	N	3046P	*Bolt, Hex 1/2-13 x 2 1/2
30	1513P	*Washer, 13/32 x 13/16 x 16 Ga.	O	5297H	Drilled Rivet
31	1542U	Spring	P	2511P	*Cotter Pin 3/16 x 1
32	5252H	Cutter Bar Latch	R	2512P	*Cotter Pin 3/16 x 1 1/4
33	606A278	Yoke Weldment	---	3936R	Instruction and Parts Book
34	5296H	Lift Link			
35	5237H	Pull Rod			
35A	3224M	Bushing			
35B	3029P	*Bolt, Hex 3/8-16 UNC x 2 1/2 Plated			

*Standard Hardware Item--
Purchase Locally.

SICKLE BAR MOWER -- MODEL NUMBER TT2631R0



SICKLE BAR MOWER --- MODEL NUMBER TT2631R0

KEY NO.	PART NO.	DESCRIPTION	KEY NO.	PART NO.	DESCRIPTION
4	6499H	Belt Tightener Link	43	5247H	Wear Plate-Front
5	4940M	Retainer Spring	44	5254H	Front Wear Plate Base
6	6501H	Adjusting Pin	45	5248H	Knife Back (Only)
7	4301H	Spring	46	5256H	Inner Runner
8	606A294A	Idler Shaft Assembly	47	5233H	Inner Runner Divider
9	606A296	Idler and Bearing-Inner	48	575X32	Guard Plate (Box of 25)
10	697H	Bearing	49	575PA53	Double Guard Assembly
11	5386H	Bushing	50	606A273	Outer Runner Weldment
12	606A295	Idler and Bearing-Outer	51	606A292	Swathboard Assembly
13	1544P	*Washer, Flat 15/32x1 x 12 Ga.	52	1517P	*Washer, Flat 7/16 x 1 x 14 Ga.
14	516P	*Nut, Hex 7/16-20 UNF	53	5394H	Nut, Gripco
16	5308H	V-Belt (Engine to Flywheel)	54	1002P	*Lockwasher, 1/4
21	1003P	*Lockwasher, 3/8 Cad. Plated	D	3161P	*Machine Screw, Truss Hd. 1/4-20 x 1/2
22	501P	*Nut, Hex 3/8-16 Cad. Plated	E	5480H	Rivet, Flat Head 7/32 x 3/4 Bag of 3
24	5232H	Swathstick	F	6801M	Rivet, Round Head 5/32 x 13/16 Bag of 3
25	634A300	Knife Assembly	G	3027P	*Bolt, Hex 3/8-16 x 1 1/2
26	4569M1	Wearing Plate	H	21P	*Bolt, Hex 3/8-16 x 1 1/4
27	4572M	Knife Clip	J	44P	*Bolt, Sq. Neck Plow 3/8-16 x 1 1/4
28	575X31	Knife Sections Only (Box of 25)	K	6800M	Rivet, Round Head 5/32 x 9/16 Bag of 3
29	606A280	Cutter Bar and Mounting Bracket	L	2515P	*Cotter Pin, 1/4 x 1 1/4
30	5311H	Wear Plate-Rear	M	20P	*Bolt, Sq. Neck Carriage 3/8-16 x 1
31	5285H	Knife Head Spacer-Rear	N	22P	*Bolt, Sq. Neck Carriage 3/8-16 x 1 1/2
32	5290H	Rear Guide	O	6802M	Rivet CTSK #8 x 1-1/8 Bag of 20
33	357H	Nut, Huglock	P	30P	*Bolt, Sq. Neck Plow 3/8-16 x 1
34	6842M	Grease Fitting	Q	20P	*Bolt, Sq. Neck Carriage 3/8-16 x 1 Cad. Plated
35	1544P	Washer 15/32x1 x 12 Ga.	R	20P	*Bolt, Sq. Neck Carriage 3/8-16 x 1 Cad. Plated
36	1549P	Washer 21/32x1 x 12 Ga.	S	3114P	*Bolt, Hex 1/4-28 x 1/2
37	634A299A	Knife Head and Pin			
38	606A252	Belt Guide Weldment-Front			
39	1001P	*Lockwasher, 7/16			
40	5312H	Knife Head Plate			
41	5289H	Front Guide			
42	5284H	Knife Head Spacer-Front			

634x847

*Standard Hardware Item--Purchase Locally

*Count A 108 -> 13x8
26. 2780.
13x8 108 = 2645*