

MASTER PARTS MANUAL

ROTARY MOWERS

RALLY LAWN TRACTORS

MODELS:

M1118AR
M6187AR
M6517BR
M6538AR

L0239AR
L1219AR
L8218AR
L8218BR
L8218CR

few {
K8327AR
K8327BR
K8327CR

LA049AR
LA058AR
LA068AR

new. Football Exchange.

*Jeune de lames 71285
Courvois traction 75794
" tondeuse 69828*

LAWN AND GARDEN
POWER EQUIPMENT

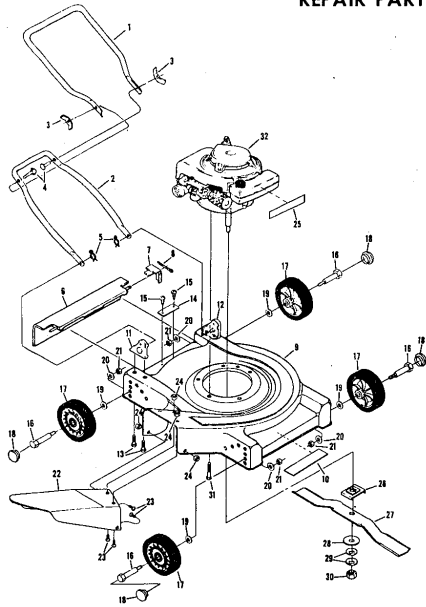
ROPER SALES CORP.

1905 WEST COURT STREET
KANKAKEE, ILLINOIS 60901

PRICE \$2.00
FEBRUARY 1, 1979

ROPER 20" 148 CC 3.5 H.P. ROTARY LAWN MOWER MODEL NUMBER M1118AR

REPAIR PARTS



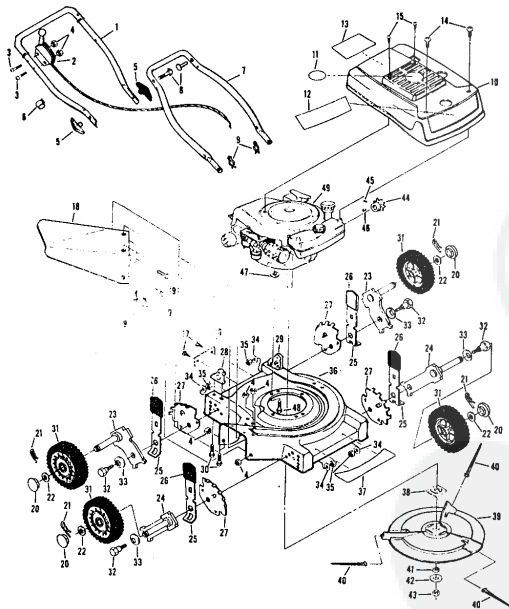
ROPER 20" 148 CC 3.5 H.P. ROTARY LAWN MOWER MODEL NUMBER M1118AR

REPAIR PARTS

Ref. No.	Part No.	Part Name	Ref. No.	Part No.	Part Name
1	64932	Handle - Upper	18	67360	Hub Cap (R.R.-L.R.-R.F.-L.F.)
2	62362	Handle - Lower	19	70080	Washer, Flat Steel .405-.860 X .250 (R.R.-L.R.-R.F.-L.F.)
3	67504	Wing Nut 5/16-18	20	54005	Washer, Flat Steel .405-.860 X .095 (R.R.-L.R.-R.F.-L.F.)
4	58714	Bolt, Handle 5/16-18 X 1 3/4	21	74400	Nut, Lock 3/8-16 (R.R.-L.R.-R.F.-L.F.)
5	51793	Hairpin Cutter - 3/4	22	67731	Discharge Guard
6	72502	Rear Skirt	23	69179	Screw, Machine #10-24 X 1/2
7	72393	Skirt Keeper	24	69100	Nut, Lock #10-24
8	63640	Cutter Pin - 3/4	25	75773	Decal - Fuel Tank
9	79262	Housing W/Silk Screening W/Decal (Incl. Ref. #10)	26	69226	Blade Flange Assembly
10	73221	Decal - Housing	27	69229	Blade
11	62886	Handle Bracket Assembly-Right	28	69385	Washer, Blade
12	62887	Handle Bracket Assembly-Left	29	54867	Washer, Spring (Ballville Type)
13	55187	Screw, Self-Tapping 5/16-18 X 3/4	30	51423	Nut, Nylon 5/8-18
14	75766	Number Plate	31	68205	Screw, Machine Hex Head W/Lock Washer 5/16-18 X 7/8
15	54562	Screw, Self-Tapping #10-24 X 3/8	32	75071	Engine-Model (LAV 25-40945L) (3.5 H.P.) (Tecumseh Products Company)
16	60838	Axle Bolt 3/8-16 (R.R.-L.R.-R.F.-L.F.)			Parts List - Owner's Manual
17	75071	Wheel and Tire Assembly-7" (R.R.-L.R.-R.F.-L.F.)	75768		

ROPER 20" WHIP STIK™ 164CC 4.0 H.P. POWER PROPELLED LAWN MOWER MODEL NUMBER M6187AR

REPAIR PARTS

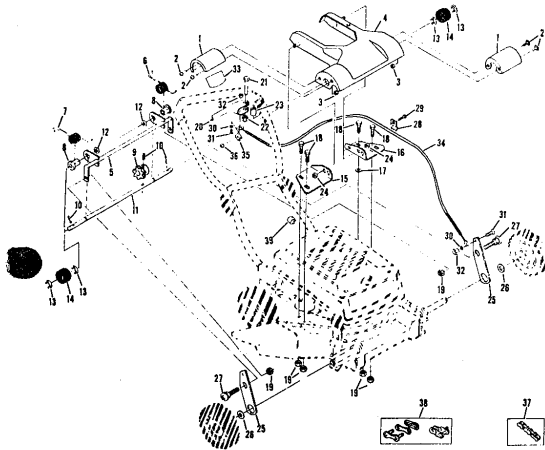


ROPER 20" WHIP STIK™ 164CC 4.0 H.P. POWER PROPELLED LAWN MOWER MODEL NUMBER M6187AR

Ref. No.	Part No.	Part Name	Ref. No.	Part No.	Part Name
1	75193	Handle - Upper	28	62886	Handle Bracket Assembly-Right
2	73445	Remote Control	29	62887	Handle Bracket Assembly-Left
3	69411	Screw, Machine Phillips #10-24 X 1 3/4	30	55187	Screw, Self-Tapping 5/16-18 X 3/4
4	69180	Nut, Lock #10-24	31	72425	Wheel and Tire Assembly-8" (R.R.-L.R.-R.F.-L.F.)
5	58715	Knob - Handle	32	64763	Bolt, Shoulder (Special) 3/8-16 (R.R.-L.R.-R.F.-L.F.)
6	38891	Cable Clip	33	62335	Washer, Belleville .500-1.10 X .082 (R.R.-L.R.-R.F.-L.F.)
7	62362	Handle - Lower	34	62333	Washer, Flat Steel .300-1.437 X .074 (R.R.-L.R.-R.F.-L.F.)
8	58714	Bolt, Handle 5/16-18 X 1 3/4	35	74400	Nut, Lock 3/8-16
9	51793	Hairpin Cutter - 3/4	36	79294	Housing W/Silk Screening W/Decal (Incl. Ref. #37)
10	79285	Engine Shroud Pack (Incl. Ref. #11,12,13)	37	75325	Decal - Housing
11	74779	Decal - Center	38	74654	Flange Assembly
12	73216	Decal - Shroud	39	74199	Pin Holder
13	74656	Decal - Engine Instruction	40	74334	Pin (Three required)
14	73322	Screw, Self-Tapping #8 X 3/4	41	74393	Spacer
15	68246	Screw, Self-Tapping 1/4-20 X 3/4	42	74456	Washer, Belleville .630-1.875 X .129
16	75215	Number Plate	43	51433	Nut, Nylon 5/8-18
17	54562	Screw, Self-Tapping #10-24 X 3/8	44	71851	Spracket 9 Tooth W/2 Set Screw (Incl. Ref. #45)
18	67731	Discharge Guard	45	52828	Set Screw 1/4-28 X 3/16
19	69179	Screw, Machine #10-24 X 1/2	46	52978	Key, Woodruff #5
20	67360	Hub Cap (R.R.-L.R.-R.F.-L.F.)	47	59289	Washer, Flat Steel .328-1 X .097 5/16-18 X 7/8
21	55015	Retainer Clip (R.R.-L.R.-R.F.-L.F.)	48	68205	Screw, Machine Hex Head 5/16-18 X 7/8
22	52160	Washer, Flat Steel .515-1 X .031 (R.R.-L.R.-R.F.-L.F.)	49		Engine-Model (LAV 40-5037SD) (4.0 H.P.) (Tecumseh Products Company)
23	69474	Axle Arm Assembly (R.R.-L.R.-R.F.-L.F.)			Parts List - Owner's Manual
24	73632	Axle Arm Assembly (R.R.-L.R.-R.F.-L.F.)			
25	70683	Selector Spring (R.R.-L.R.-R.F.-L.F.)			
26	70685	Selector Knob (R.R.-L.R.-R.F.-L.F.)			
27	69478	Wheel Adjusting Bracket (R.R.-L.R.-R.F.-L.F.)	75218		

ROPER 20" WHIP STIK™ 164CC 4.0 H.P. POWER PROPELLED LAWN MOWER MODEL NUMBER M6187AR

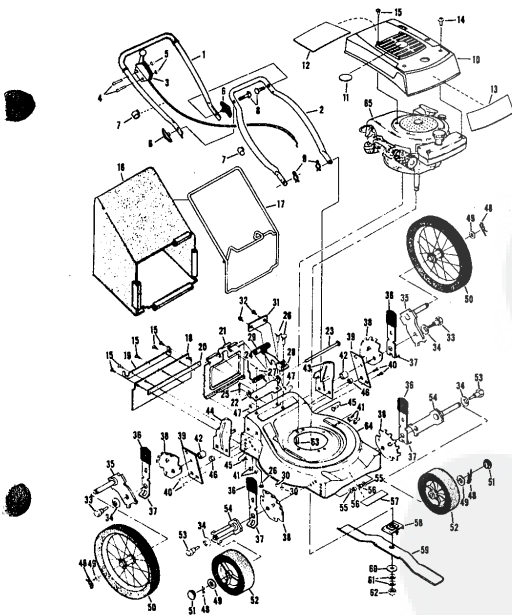
REPAIR PARTS



ROPER 20" WHIP STIK™ 164CC 4.0 H.P. POWER PROPELLED LAWN MOWER MODEL NUMBER M6187AR

Ref. No.	Part No.	Part Name	Ref. No.	Part No.	Part Name
1	73629	Drive Cover	22	72979	Nut, Shoulder (Special) 1/4-28
2	75136	Screw, Machine #10-24 X 1/2	23	73405	Spacer
3	53491	Nut, Lock #10-24	24	52365	E-Ring 3/8 Shaft
4	73787	Chain Cover Assembly	25	74162	Lower Link
5	73626	Yoke Assembly	26	74252	Washer, Flat Steel .531-1.187 X .148
6	73115	Spring - L.H.	27	73916	Bolt, Shoulder (Special) 1/4-20 X 3/4
7	73172	Spring - R.H.	28	73276	Retainer
8	73087	Bearing	29	55187	Screw, Self-Tapping 5/16-18 X 3/4
9	73696	Sprocket - 8 Tooth	30	74190	Spacer
10	52379	Spring Pin 3/16 X 1	31	57155	Screw, Machine #10-24 X 5/8
11	73628	Driven Shaft	32	69180	Nut, Lock #10-24
12	73928	Washer, Flat Steel .628-1.25 X .028	33	73442	Decal - Clutch
13	52364	E-Ring 5/8 Shaft	34	74158	Cable
14	67973	Driver	35	73755	Cable Clamp
15	75113	Pivot - R.H.	36	68662	Screw, Self-Tapping #10 X 7/8
16	75214	Pivot - L.H.	37	74787	Chain #65 (44 Pitch)
17	63128	Washer, Flat Steel .265-3/4 X .082	38	69472	Repair Link Kit (Incl. Offset and Connecting Link)
18	54395	Screw, Hex Head 1/4-20 X 5/8	39	58891	Cable Clip
19	74218	Nut, Lock 1/4-20			
20	74161	Lever			
21	72978	Bolt, Shoulder (Special) 1/4-28 X 1 5/8			

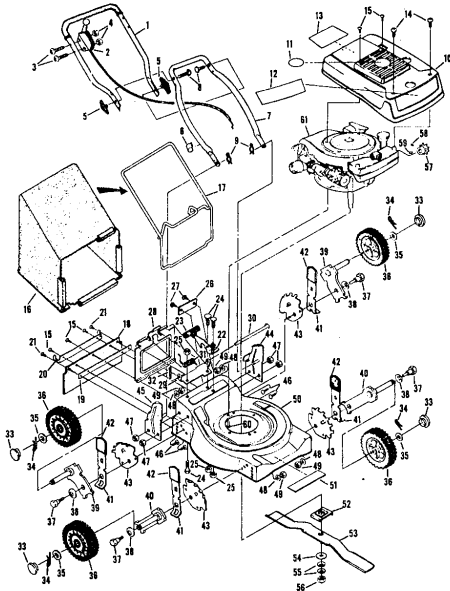
ROPER 20" HIGH WHEEL REAR BAGGER 4.0 H.P. ROTARY LAWN MOWER MODEL NUMBER M6517BR



ROPER 20" HIGH WHEEL REAR BAGGER 4.0 H.P. ROTARY LAWN MOWER MODEL NUMBER M6517BR

Ref. No.	Part No.	Part Name	Ref. No.	Part No.	Part Name
1	74478	Handle - Upper	37	70683	Selector Spring (R.F.-L.F.-R.R.-L.R.)
2	62262	Handle - Lower	38	69478	Wheel Adjusting Bracket (R.F.-L.F.-R.R.-L.R.)
3	73445	Remote Control	40	73403	Bolt, Hex Head 3/8-16 X 5/8 (R.R.-L.R.)
4	69411	Screw, Machine Phillips #10-24 X 1 1/4	41	51961	Nut, Lock 3/8-16 (R.R.-L.R.)
5	69180	Nut, Lock #10-24	42	73713	Spacer (R.R.-L.R.)
6	58715	Knob - Handle	43	78992	Handle Bracket - L.H.
7	58891	Cable Clip	44	78991	Handle Bracket - R.H.
8	58714	Bolt, Handle 5/16-18 X 1 3/4	45	75156	Bolt, Carriage 5/16-18 X 1/2 (R.R.-L.R.)
9	51792	Mainpin Cutter - 3/4	46	74399	Nut, Lock 5/16 X 18
10	79261	Engine Shroud Pack (Incl. Ref. #11, 12, 13)	47	68478	Nut, Lock 5/16 X 18 (R.R.-L.R.)
11	74640	Decal - Center	48	55015	Retainer Clip (R.R.-L.R.-R.F.-L.F.)
12	74909	Decal - Engine Instruction	49	52160	Washer, Flat Steel .515-1 X .031 (R.R.-L.R.-R.F.-L.F.)
13	74960	Decal - Shroud	50	73422	Wheel and Tire Assembly 14.00 X 1.75 (R.R.-L.R.)
14	73322	Screw, Self-Tapping #8 X 3/4	51	67360	Hub Cap
15	68346	Screw, Self-Tapping 1/4-20 X 3/4	52	75073	Wheel and Tire Assembly 8.00 X 1.75 (R.F.-L.F.)
16	75362	Catcher Bag	53	64763	Bolt, Shoulder 3/8-16 (Special) (R.F.-L.F.)
17	72870	Catcher Frame	54	69474	Axle Arm Assembly (R.F.-L.F.)
18	73874	Rear Skin	55	62333	Washer, Flat Steel .300-.437 X .074 (R.F.-L.F.)
19	73176	Catcher Support	56	65543	Nut, Lock 3/8-16 (R.F.-L.F.)
20	73061	Backing Strip	57	73221	Decal - Housing
21	72869	Rear Door	58	69226	Blade Flange Assembly
22	72215	Hinge Bracket	59	69229	Washer, Blade
23	73326	Hinge Rod	60	69385	Washer, Spring (Bellville Type)
24	72962	Spring	62	51433	Nut, Nylok 5-18
25	65640	Cotter Pin - 5/64	63	68205	Screw, Machine Hex Head W Lock Washer 5/16-18 X 7/8
26	73383	Bolt, Carriage 1/4-20 X 5/8 (Special) (R.R.-L.R.)	64	79258	Housing W/316 (With Decal) (Incl. Ref. #2)
27	65601	Nut, Lock 1/4-20	65	73420	Engine-Model (LAV 40-50374D) (Tecumseh Products Co.) 4.0 H.P.
28	72881	Catcher Latch (Incl. Ref. #29)			
29	68618	Knob			
30	74218	Nut, Lock 1/4-20			
31	75614	Number Plate			
32	54562	Screw, Self-Tapping #10-24 X 3/8			
33	73714	Bolt, Shoulder 5/16-18 (Special) (R.R.-L.R.)			
34	62335	Washer, Bellville .505-1.10 X .082 (R.R.-L.R.-R.F.-L.F.)			
35	73420	Axle Arm Assembly (R.R.-L.R.)			
36	70685	Knob-Selector (R.F.-L.F.-R.R.-L.R.)			
				75616	Parts List-Owner's Manual

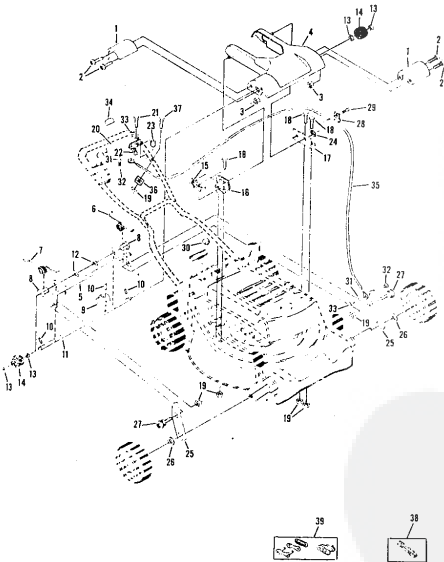
ROPER 20" REAR BAGGER 164CC 4.0 H.P. POWER-PROPELLED
LAWN MOWER MODEL NUMBER M6538AR **REPAIR PARTS**



ROPER 20" REAR BAGGER 164CC 4.0 H.P. POWER-PROPELLED **REPAIR PARTS**
LAWN MOWER MODEL NUMBER M6538AR

Ref. No.	Part No.	Part Name	Ref. No.	Part No.	Part Name
1	76468	Handle - Upper	36	72425	Wheel and Tire Assembly-8" (R.R.-L.R.-R.F.-L.F.)
2	73445	Remote Control	37	64763	Bolt, Shoulder (Special) 3/8-16 (R.R.-L.R.-R.F.-L.F.)
3	69411	Screw, Machine Phillips #10-24 X 1 3/4	38	62335	Washer, Belleville .505-1.10 X .062 (R.R.-L.R.-R.F.-L.F.)
4	69180	Nut, Lock #10-24	39	69474	Axle Arm Assembly (R.F.-L.R.)
5	52715	Knob - Handle	40	73632	Axle Arm Assembly (R.R.-L.R.-L.F.)
6	58891	Cable Clip	41	70683	Selector Spring (R.R.-L.R.-R.F.-L.F.)
7	62362	Handle - Lower	42	70685	Selector Knob (R.R.-L.R.-R.F.-L.F.)
8	52714	Bolt, Handle 5/16-18 X 1 3/4	43	69478	Wheel Adjusting Bracket (R.R.-L.R.-R.F.-L.F.)
9	51793	Mainpin Cutter - 3/4	44	78992	Handle Bracket Assembly-Left
10	79261	Engine Shroud Pack (Incl. Ref. #11,12,13)	45	78991	Handle Bracket Assembly-Right
11	74640	Decal - Center	46	75156	Bolt, Carriage 5/16-18 X 1/2 (R.R.-L.R.)
12	74960	Decal - Shroud	47	74399	Nut, Lock 5/16-18 (R.R.-L.R.)
13	74959	Decal - Engine Instruction	48	62333	Washer, Flat Steel .390-1.457 X .074 (R.R.-L.R.-R.F.-L.F.)
14	73262	Screw, Self-Tapping #8 X 3/4	49	74400	Nut, Lock 3/8-16 (R.R.-L.R.-R.F.-L.F.)
15	68546	Screw, Self-Tapping 1/4-20 X 3/4	50	79269	Housing W/Silk Screening W/Decal (Incl. Ref. #51)
16	75363	Catcher Bag	51	73221	Decal - Housing
17	72870	Catcher Frame	52	69226	Blade Flange Assembly
18	72883	Rear Skirt	53	69229	Blade
19	72061	Backing Strip	54	69285	Washer, Blade
20	73176	Catcher Support	55	54867	Washer, Spring (Belleville Type)
21	73845	Screw, Self-Tapping 1/4-20 X 1/2	56	51633	Nut, Nylok 5/8-16
22	72881	Catcher Latch (Incl. Ref. #23)	57	71851	Sprocket 9 Tooth W/2 Set Screw (Incl. Ref. #58)
23	68618	Knob	58	52826	Set Screw 1/4-28 X 3/16
24	73383	Bolt, Carriage 1/4-20 X 5/8	59	52978	Key, Woodruff #5
25	74218	Nut, Lock 1/4-20	60	68205	Screw, Machine Hex Head 5/16-18 X 7/8
26	75788	Number Plate	61		Engine-Model (LAV 40-50375D) (Tecumseh Products Company) (4.0 H.P.)
27	54562	Screw, Self-Tapping #10-24 X 3/8		75790	Parts List - Owner's Manual
28	72869	Rear Deck			
29	73215	Hinge Bracket			
30	73326	Hinge Rod			
31	72962	Spring			
32	68640	Cutter Pin - 3/4			
33	67360	Hub Cap (R.R.-L.R.-R.F.-L.F.)			
34	55015	Retainer Clip (R.R.-L.R.-R.F.-L.F.)			
35	52160	Washer, Flat Steel .515-1 X .031 (R.R.-L.R.-R.F.-L.F.)			

ROPER 20" REAR BAGGER 164CC 4.0 H.P. POWER-PROPELLED **REPAIR PARTS**
LAWN MOWER MODEL NUMBER M6538AR

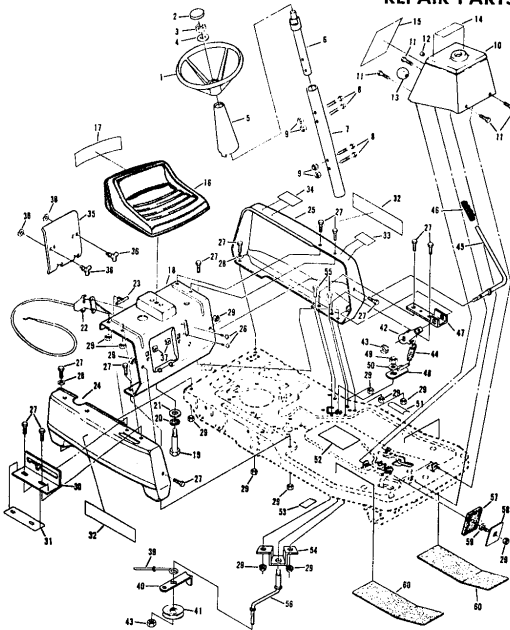


ROPER 20" REAR BAGGER 164CC 4.0 H.P. POWER-PROPELLED **REPAIR PARTS**
LAWN MOWER MODEL NUMBER M6538AR

Ref. No.	Part No.	Part Name	Ref. No.	Part No.	Part Name
1	73629	Drive Cover	22	72979	Nut, Shoulder (Special) 1/4-28
2	75136	Screw, Machine #10-24 X 1/2	23	73405	Spacer
3	53491	Nut, Lock #10-24	24	52365	E-Ring 3/8 Shaft
4	76335	Chain Cover Assembly	25	74162	Lower Link
5	73626	Yoke Assembly	26	74232	Washer, Flat Steel .531-1.187 X .148
6	73115	Spring - L.H.	27	73916	Bolt, Shoulder (Special) 1/4-20
7	73172	Spring - R.H.	28	73276	Retainer
8	73087	Bearing	29	55187	Screw, Self-Tapping 5/16-18 X 3/4
9	72696	Sprocket - 8 Tooth	30	58891	Cable Clip
10	52379	Spring Pin - 3/16 X 1	31	74190	Spacer
11	73628	Driven Shaft	32	57155	Screw, Machine 10-24 X 5/8
12	73928	Washer, Flat Steel .828 - 1.25 X .028	33	69180	Nut, Lock 10-24
13	52364	E-Ring 5/8 Shaft	34	73442	Decal - Clutch
14	67973	Driver	35	76406	Cable
15	75043	Pivot Adjusting Bracket	36	76370	Cable Clamp
16	74617	Pivot - R.H.	37	65131	Screw, Machine 1/4-20 X 1 1/2
17	74618	Pivot - L.H.	38	74787	Chain .65 (44 Pitches)
18	54395	Screw, Hex Head 1/4-20 X 5/8	39	60472	Repair Link Kit (Incl. Offset and Connecting Link)
19	74216	Nut, Lock 1/4-20			
20	74161	Lever			
21	72978	Bolt, Shoulder (Special) 1/4-28 X 1 5/8			

ROPER 32" REAR ENGINE RIDING LAWN MOWER ELECTRIC START 8.0 H.P. MODEL NUMBER K8327AR

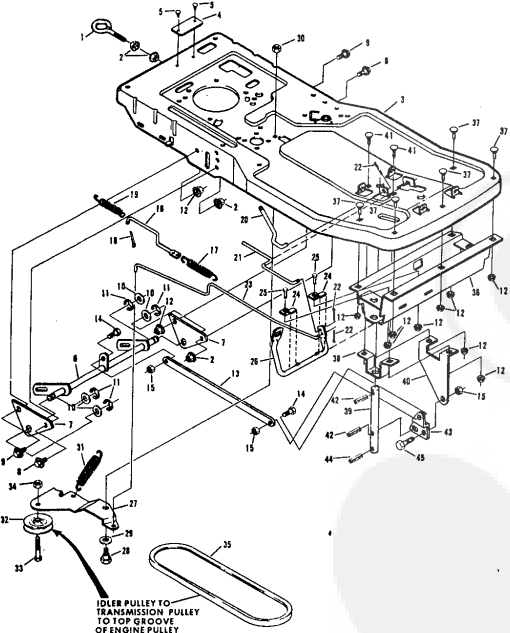
REPAIR PARTS



ROPER 32" REAR ENGINE RIDING LAWN MOWER ELECTRIC START 8.0 H.P. MODEL NUMBER K8327AR

Ref. No.	Part No.	Part Name	Ref. No.	Part No.	Part Name
1	74544	Steering Wheel	29	54922	Nut, Keps 5/16-18
2	74572	Insert Cap	30	74531	Shifter Gate
3	50830	Nut, Lock 1/2-20	31	74560	Decal - Shift
4	53632	Washer, Flat Steel .531-1 X .063	32	74601	Decal-Side Panel (L.H.-R.H.)
5	72705	Steering Shaft Cover	33	74561	Decal-Brake Control
6	74565	Steering Shaft - Upper	34	74512	Decal-Engine Area
7	74582	Steering Shaft Extension	35	72926	Battery Holder
8	69902	Bolt, Hex Head 1/4-20 X 1 1/4	36	73319	Wing Head Stud
9	63601	Nut, Lock 1/4-20	37	73320	Receptacle
10	74523	Console Assembly	38	73321	Split Ring
11	71263	Screw, Thread Cutting 5/16-18 X 1/2	39	72987	Blade Brake Rod
12	71673	Flange Cap	40	74544	Bolt Keeper
13	55862	Knob	41	53018	Idler Pulley
14	75122	Decal-Operating Instructions	42	74613	Spring Arm
15	74558	Decal-Instruction	43	51961	Nut, Lock 3/8-16
16	74563	Seat Assembly	44	75045	Spring
17	75070	Decal - Seat	45	74538	Blade Clutch Lever
18	74563	Front Panel	46	71246	Grip
19	72639	Bolt, Shoulder (Special) 1/2-13	47	74539	Handle Bracket
20	18810	Washer, Lock - 1/2"	48	75339	Control Arm Assembly
21	53034	Washer, Flat Steel .531-1.187 X .127	49	62336	Nut, Lock 3/8-16
22	74537	Remote Control Assembly (Incl. Ref. 123)	50	67510	Washer, Flat Steel .390-5/8 X .090
23	61159	Knob - Remote Control	51	74559	Decal-Enter and Exit
24	74534	Side Panel - R.H.	52	74557	Decal-Brake Instruction
25	74532	Side Panel - L.H.	53	68306	Decal-Clutch and Brake
26	68346	Screw, Self-Topping 1/4-20 X 3/4	54	74542	Idler Support Bracket
27	71949	Screw, Machine Hex Head 5/16-18 X 3/4	55	51630	Bolt, Carriage 5/16-18 X 3/4
28	52915	Washer, Flat Steel .328-1.125 X .063	56	74543	Idler Arm
			57	67665	Foot Pad
			58	67189	Foot Pedal Plate
			59	67613	Bolt, Carriage 5/16-18 X 3/4
			60	72384	Floor Board Pad

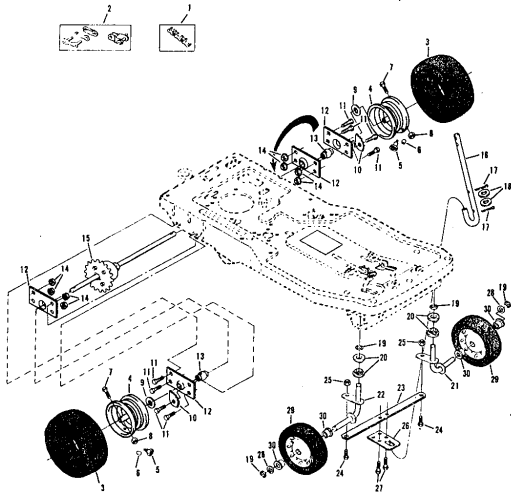
ROPER 32" REAR ENGINE RIDING LAWN MOWER ELECTRIC START 8.0 H.P. MODEL NUMBER K8327AR



ROPER 32" REAR ENGINE RIDING LAWN MOWER ELECTRIC START 8.0 H.P. MODEL NUMBER K8327AR

Ref. No.	Part No.	Part Name	Ref. No.	Part No.	Part Name
1	70530	Tow Hitch - Eyebolt	24	72360	Foot Pedal Clamp
2	55615	Nut, Keps 3/8-16	25	54262	Screw, Machine Hex W/Washer 5/16-18 X 5/8
3	74514	Chassis Assembly	26	72387	Foot Pedal
4	74524	Number Plate	27	67174	Motion Idler
5	61000	Plastic Rivet	28	58855	Bolt, Shoulder (Special) 5/16-24
6	75264	Lever Arm Assembly	29	67725	Washer, Flat Steel .531-1 X .134
7	75265	Side Bracket	30	54928	Nut, Lock 5/16-24
8	55912	Screw, Hex Head 3/8-16 X 3/4	31	73275	Spring - Idler
9	51630	Screw, Hex Head 5/16-18 X 3/4	32	58018	Pulley - Idler
10	53748	Washer, Flat Steel .640-1 X .063	33	55918	Screw, Hex Head 3/8-16 X 1 1/2
11	52364	E-Ring 5/8 Shaft	34	51961	Nut, Hex Lock 3/8-16
12	54922	Nut, Keps 5/16-18	35	67346	V-Belt
13	74545	Parallel Bar	36	72357	Front Member Assembly
14	67394	Bolt, Shoulder 5/16-18 X 3/4	37	72375	Lifter Bracket
15	63124	Nut, Lock 5/16-18	38	74516	Ballcrank Bracket
16	72386	Brake Rod - Rear	39	63079	Bolt, Carriage 5/16-18 X 1
17	64284	Spring	40	74572	Drive Lock Pin Type B
18	2947	Cotter Pin - 3/4	41	74522	Ballcrank
19	62355	Spring	42	73446	Drive Lock Pin Type P
20	74527	Lifter Handle	43	68475	Bolt, Shoulder 5/16-18 X 3/4
21	72361	Parking Brake Rod			
22	63640	Cotter Pin - 3/4			
23	72393	Motion Clutch and Brake Rod			

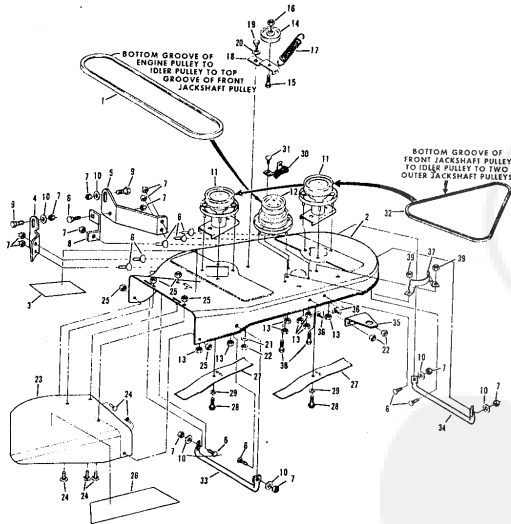
ROPER 32" REAR ENGINE RIDING LAWN MOWER ELECTRIC START 8.0 H.P. MODEL NUMBER K8327AR



ROPER 32" REAR ENGINE RIDING LAWN MOWER ELECTRIC START 8.0 H.P. MODEL NUMBER K8327AR

Ref. No.	Part No.	Part Name	Ref. No.	Part No.	Part Name
1	72818	Chain - 41 (82 Pitch)	17	2655	Cutter Pin - 1/8
2	60474	Repair Link Kit (Incl. Offset and Connecting Link)	18	57911	Washer, Flat Steel .640-1.250 X .063
3	70302	Tire - 13/8.00 X 4 (R.R.-L.R.)	19	53264	E-Ring 5/8 Shaft
4	70301	Rim (R.R.-L.R.)	20	71208	Bushing
5	65139	Valve Stem (R.R.-L.R.)	21	72401	Kingpin - L.H.
6	59192	Valve Cup (R.R.-L.R.)	22	72400	Kingpin - R.H.
7	67349	Bolt, Hex Head 5/16-18 X 1 5/8 (R.R.-L.R.)	23	73358	Tie Bar
8	67818	Nut, Lock 5/16-18 (R.R.-L.R.)	24	55855	Bolt, Shoulder (Special) 5/16-24 (R.F.-L.F.)
9	52966	Washer, Flat Steel .765-1.250 X .060 (R.R.-L.R.)	25	68990	Nut, Lock 5/16-24 (R.F.-L.F.)
10	67703	Chain Adjuster	26	72359	Steering Plate
11	51447	Screw, Hex Head 5/16-18 X 7/8 (R.R.-L.R.)	27	71063	Screw, Hex Head Thread Cutting 5/16-18 X 1/2
12	72382	Bearing Cup (R.R.-L.R.)	28	53848	Washer, Flat Steel .630-1 X .031
13	62346	Bearing (R.R.-L.R.)	29	67350	Wheel and Tire Assembly 10.50 X 3.50 (R.F.-L.F.) (Incl. Ref. #30)
14	54522	Nut, Keps 5/8-18 (R.R.-L.R.)			
15	73523	Differential Assembly (See Page 28)			
16	72547	Steering Shaft	30	64906	Bearing (R.F.-L.F.)

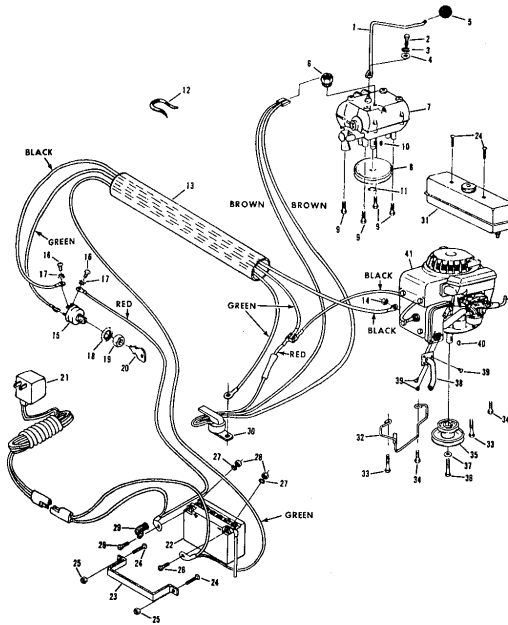
ROPER 32" REAR ENGINE RIDING LAWN MOWER ELECTRIC START 8.0 H.P. MODEL NUMBER K8327AR



ROPER 32" REAR ENGINE RIDING LAWN MOWER ELECTRIC START 8.0 H.P. MODEL NUMBER K8327AR

Ref. No.	Part No.	Part Name	Ref. No.	Part No.	Part Name
1	74212	V-Belt	20	67356	Washer, Flat Steel .630-1 X .050
2	79276	Housing W/Slit Screwing W/Decal (Incl. Ref. #3)	21	55611	Washer, Flat Steel .405-.860 X .172
3	75382	Decal - Housing	22	62336	Nut, Lock 3/8-16
4	74551	Housing Lifter - R.H.	23	71596	Discharge Guard
5	74552	Housing Lifter - L.H.	24	73383	Bolt, Carriage 1/4-20 X 5/8
6	59476	Bolt, Carriage 5/16-18 X 3/4	25	65001	Nut, Lock 1/4-20
7	63124	Nut, Lock 5/16-18	26	75085	Decal - Discharge Guard
8	74553	Strip	27	67405	Blade
9	58909	Bolt, Shoulder (Special) 5/16-18	28	67676	Screw, Machine Hex Head 3/8-24 X 7/8
10	50806	Washer, Flat Steel .328-.750 X .063	29	67354	Washer, Flat Steel .390-2.38 X .156
11	69542	Jackshaft Assembly - Driven	30	68107	Brake Assembly
12	69542	Jackshaft Assembly - Driver	31	73609	Bolt, Hex Head 3/8-16 X 5/8
13	55615	Nut, Keps 3/8-16	32	67398	V-Belt
14	67400	Idler Pulley	33	74548	Skid - R.H.
15	55918	Screw, Hex Head W/Lock Washer 3/8-16 X 1 1/2	34	74549	Skid - L.H.
16	51961	Nut, Lock 3/8-16	35	74550	Mower Support
17	67401	Spring	36	61306	Bolt, Carriage 3/8-16 X 3/4
18	67399	Idler Arm	37	67404	Bolt Knob
19	62361	Bolt, Shoulder (Special) 3/8-16	38	54982	Screw, Hex Head 5/16-18 X 3/4
			39	54922	Nut, Keps 5/16-18

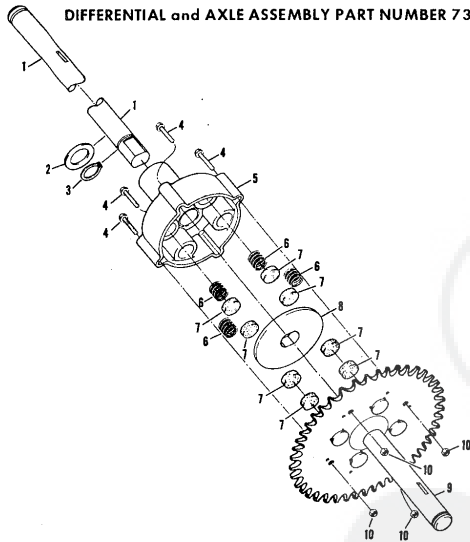
ROPER 32" REAR ENGINE RIDING LAWN MOWER ELECTRIC START 8.0 H.P. MODEL NUMBER K8327AR



ROPER 32" REAR ENGINE RIDING LAWN MOWER ELECTRIC START 8.0 H.P. MODEL NUMBER K8327AR

Ref. No.	Part No.	Part Name	Ref. No.	Part No.	Part Name
1	75266	Shift Lever	24	58609	Screw, Machine 1/4-20 X 5/8
2	75346	Bolt, Hex Head 1/4-28 X 1/2	25	63601	Nut, Lock 1/4-20
3	5081	Washer, Lock 1/4	26		Screw, Hex Head 1/4-20
4	53847	Washer, Flat Steel .265-.750 X .063	27		(Furnished With Battery Pack)
5	55862	Knob	28		Washer, Lock 1/4-20
6	74525	Switch - Transmission	29		(Furnished With Battery Pack)
7	794212	Knob	29	64422	Terminal Block
		Transmission Assembly Model 145-719 (See Pages 30 and 31)	30	74530	Switch - Relay Module
8	73541	Pulley - Transmission	31	74099	Fuel Tank
9	54262	Screw, Machine Hex Head 5/16-18 X 7/8	32	72392	Belt Keeper
10	58349	Key, Woodruff #9	33	74996	Screw, Thread Form 5/16-18 X 1
11	65302	Retainer Ring 5/8 Shaft	34	55187	Screw, Hex Head Topping 5/16-18 X 3/4
12	43174	Wire Tie	35	72388	Engine Pulley
13	74535	Wire Harness	36	68274	Screw, Machine 3/8-24 X 1 3/8
14	53490	Nut, Lock 1/4-20	37	62735	Washer, Flat Steel .375-1.250 X .201
15	72841	Ignition Switch (Incl. Ref. #16, 17, 18, 19, 20)	38	75063	Exhaust Tube
16	67756	Screw, #10-32 X .31	39	36462	Screw, #8 Type AB X 3/8
17	67757	Washer, Lock Internal Tooth #10	40	52859	Key, Woodruff #61
18	67758	Washer, Lock Internal Tooth 5/8	41		Engine Model-WM80-15010SD (Cummins Products Company) (8.0 H.P.)
19	67759	Nut, Hex 5/8-32		74569	Parts List - Owner's Manual
20	67760	Key Set (Pair)			
21	70452	Battery Charger			
22	70451	Battery Pack			
23	72706	Battery Strap			

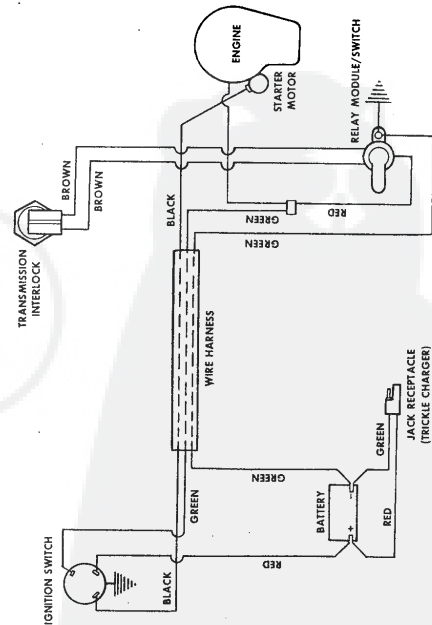
ROPER 32" REAR ENGINE RIDING LAWN MOWER ELECTRIC START 8.0 H.P. MODEL NUMBER K8327AR
DIFFERENTIAL and AXLE ASSEMBLY PART NUMBER 73523



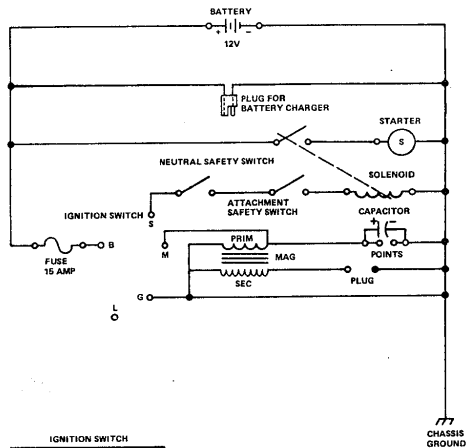
Ref. No.	Part No.	Part Name	Ref. No.	Part No.	Part Name
1	79099	Slip Axle	5	79022	Housing W/Bearings
2	78982	Washer, Thrust .751-1.250 X .0478	6	78979	Spring
3	35586	Retaining Ring	7	78978	Friction Block
4	79017	Screw, Machine Torx Washer Head 5/16-24 - 2	8	78976	Drive Disc
			9	79100	Fixed Axle Assembly
			10	79018	Nut, Lock 5/16-24

WIRING DIAGRAM

ROPER 32" REAR ENGINE RIDING LAWN MOWER ELECTRIC START 8.0 H.P. MODEL NUMBER K8327AR



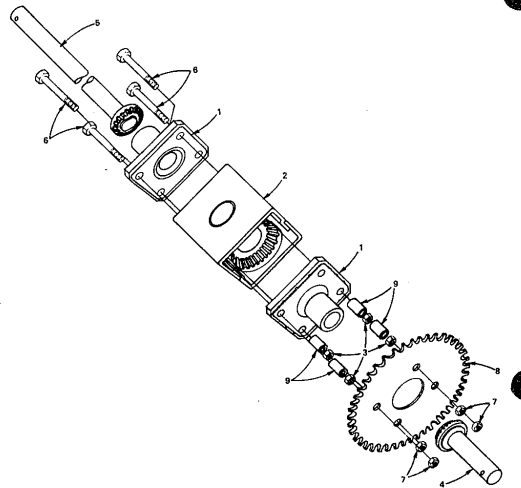
32" REAR ENGINE RIDING LAWN MOWER-MODEL NUMBER K8327BR
SCHEMATIC DIAGRAM



IGNITION SWITCH	
POSITION	CIRCUIT
OFF	M-G
ON	B-L
START	B-S

REPAIR PARTS

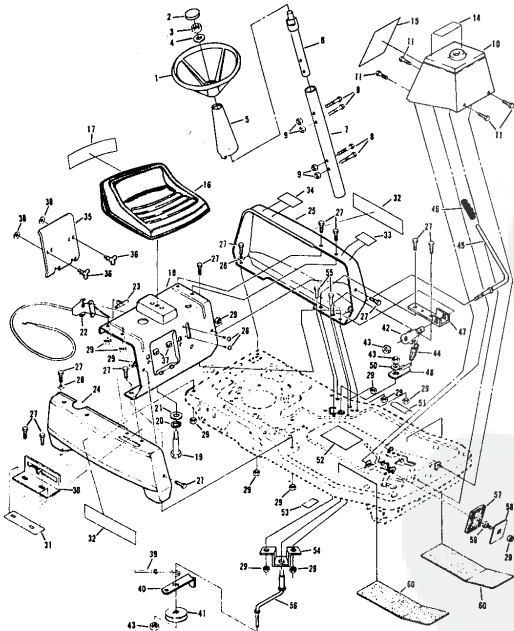
32" REAR ENGINE RIDING LAWN MOWER-MODEL NUMBER K8327BR
DIFFERENTIAL ASSEMBLY PART NUMBER 2112J



KEY NO.	PART NO.	DESCRIPTION
1	2308J	End Cap - Bearing Assembly
2	2305J	Transfer Gear Case Assembly
3	504P	Hex Nut - 5/16 - 18 UNC
4	2310J	Gear Shaft Assembly - Right
5	2311J	Gear Shaft Assembly - Left
6	338P	Hex Bolt (Plated) 5/16 - 18 x 4 - 1/2
7	575P	Locknut - Grippo 5/16 - 18 UNC (Plated)
8	2312J	Sprocket
9	2313J	Sprocket

REPAIR PARTS

32" REAR ENGINE RIDING LAWN MOWER-MODEL NUMBER K8327BR
STEERING AND ENCLOSURE GROUP



REPAIR PARTS

32" REAR ENGINE RIDING LAWN MOWER-MODEL NUMBER K8327BR
STEERING AND ENCLOSURE GROUP

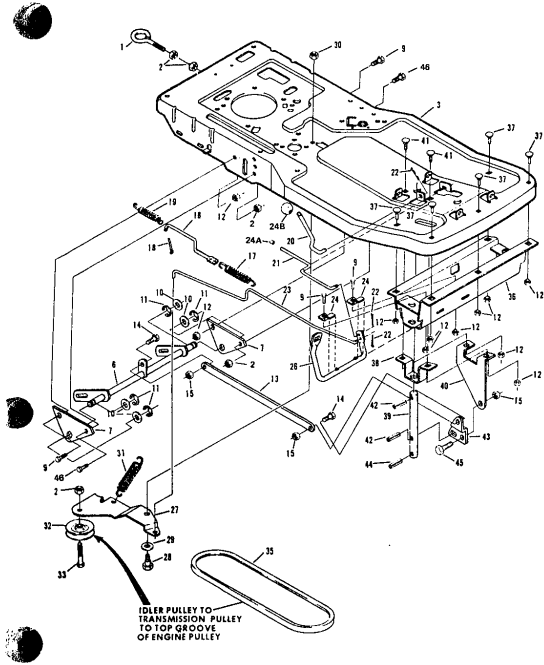
KEY NO.	PART NO.	DESCRIPTION	KEY NO.	PART NO.	DESCRIPTION
1	7456A	Steering Wheel	30	74531	Shifter Gate
2	1114J	Insert Cap	31	74560	Decal - Shift
3	588P	*Jam Nut 1/2 - 20 UNF	32	74601	Decal - Roper
4	1545P	Washer 17/32 x 1 x 16 Ga.	33	74501	Decal - Blade Control
5	72705	Steering Shaft Cover	34	74512	Decal - Engine Area
6	74505	Steering Shaft - Upper	35	72926	Battery Holder
7	74682	Steering Shaft Extension	36	73319	Wing Head Stud
8	3255P	*Bolt, Hex 1/4 - 20 x 1 - 1/4 G. 5	37	73220	Rescote
9	588P	Locknut with Washer Insert 1/4 - 20 UNC	38	73321	Split Ring
10	74523	Console Assembly	39	72987	Blade Brake Rod
11	3383P	Screw, Hex Thread Rolling 5/16 - 18 x 1/2	40	74544	Bolt Keeper
14	75122	Decal - Operating Instructions	41	53018	Idler Pulley
15	74558	Decal - Instruction	42	74513	Spring Arm
16	1498J	Seat	43	545P	*Locknut - Grippo 3/8 - 16 UNC
17	75070	Decal - Seat	44	75045	Spring
18	74563	Front Panel	45	74538	Blade Clutch Lever
19	72639	Bolt, Shoulder 1/2 - 13 UNC	46	71246	Grip
20	1002P	*Lockwasher 1/2	47	74539	Handle Bracket
21	1625P	Washer 17/32 x 1 - 3/16 x 12 Ga.	48	75330	Control Arm Assembly
22	1544J	Throttle Control (See Key No. 23)	50	1638P	Washer 13/32 x 7/8 x 6 Ga.
23	61159	Knob - Remote Control	51	74559	Decal - Enter and Exit
24	74534	Side Panel - R.H.	52	74557	Decal - Brake Instruction
25	74532	Side Panel - L.H.	53	376J	Decal - Clutch and Brake
26	5547P	*Screw, Phillips Thuss Hd. Thread Cut 1/4 - 20 x 3/4	54	74542	Idler Support Bracket
27	3386P	Screw, Hex Washer Hd. Machine 5/16 - 18 x 3/4	55	3010P	*Bolt, Hex 5/16 - 18 x 3/4
28	1625P	Washer 17/32 x 1 - 1/8 x 16 Ga.	56	74543	Idler Arm
29	575P	*Locknut - Grippo 5/16 - 18 UNC	57	67265	Foot Pad
			58	67189	Foot Pedal Plate
			59	67613	Bolt, Carriage 5/16 - 18 x 3/4 Special
			60	72384	Floor Board Pad
			...	2086J	Fact and Warranty Tag
			...	2016I	Owner's Manual

*STANDARD HARDWARE - PURCHASE LOCALLY

REPAIR PARTS

32" REAR ENGINE RIDING LAWN MOWER-MODEL NUMBER K8327BR

CHASSIS



REPAIR PARTS

32" REAR ENGINE RIDING LAWN MOWER-MODEL NUMBER K8327BR

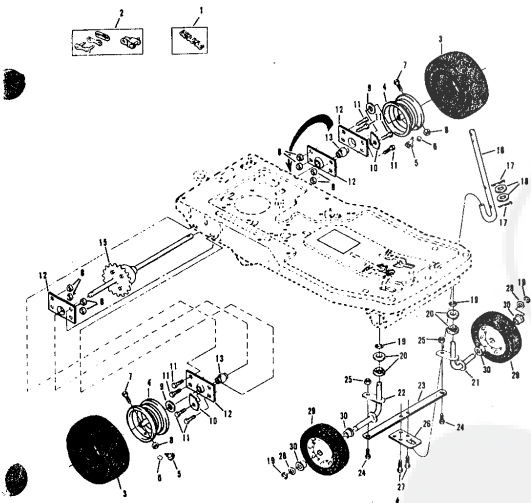
CHASSIS

KEY NO.	PART NO.	DESCRIPTION	KEY NO.	PART NO.	DESCRIPTION
1	70530	Tow Hitch - Eyebolt	26	72387	Foot P.d.t
2	545P	*Locknut, Gripco 3/8 - 16 UNC	27	67374	Motion Filter
3	74914	Chassis	28	59595	Bolt, Shoulder 5/16 - 24 x 1/2
6	75254	Lever Arm Assembly	29	1628P	Washer 17/32 x 1 1/2 x 10 Ga.
7	75265	Side Bracket	30	588P	Nut, Nylok 5/16 - 24 UNF
9	3010P	*Bolt, Hex 5/16 - 18 x 3/4	31	2044J	Spring - Ister
10	1588P	Washer 21/32 x 1 x 16 Ga.	32	63018	Pulley - Ister
11	5001P	E-Ring	33	6066P	Bolt, Hex with Sems Lockwasher 3/8 - 16 x 1 - 1/2 V-Bolt
12	563P	*Locknut, Gripco 5/16 - 18 UNC Gr. B	35	67346	Front Member Assembly
13	74545	Parallel Bar	36	72357	*Bolt, Carriage 5/16 - 18 x 3/4 Gr. 5
14	67394	Bolt, Shoulder 5/16 - 18 x 3/4	37	67P	Lifter Bracket
15	588P	Locknut, Nylok 5/16 - 18 UNC	38	72375	Housing Lifter
16	73798	Brake Rod - Rear	39	74516	Bolt, Carriage 5/16 - 18 x 1 Gr. 5
17	64284	Spring	40	74515	Ballcast Bracket
18	2003P	*Cotter Pin 3/32 x 3/4	41	68P	Drive Lock Pin - Type B
19	62755	Spring	42	74530	Drive Lock Pin - Type F
20	74521	Lifter Handle	43	74522	Beltlink
21	72361	Parking Brake Rod	44	73446	Drive Lock Pin Type F
22	63646	Cotter Pin 5/64 x 3/8	45	68475	Bolt, Shoulder 5/16 - 18 x 3/4
23	72393	Motion Clutch and Brake Rod	46	3021P	Bolt, Hex 3/8 - 16 x 3/4
24	72360	Flange Cap			
24A	71823	Knob			
24B	55862	Knob			

REPAIR PARTS

32" REAR ENGINE RIDING LAWN MOWER-MODEL NUMBER K8327BR

WHEEL GROUP



REPAIR PARTS

32" REAR ENGINE RIDING LAWN MOWER-MODEL NUMBER K8327BR

WHEEL GROUP

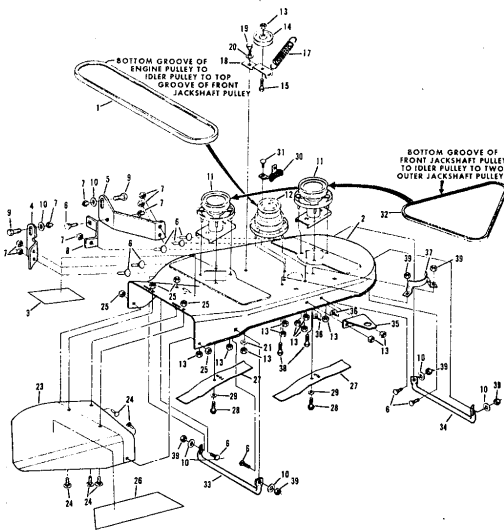
KEY NO.	PART NO.	DESCRIPTION	KEY NO.	PART NO.	DESCRIPTION
1	72818	Chain	16	72547	Steering Shaft
2	80474	Repair Link Kit (Inc. Offset and Connecting Link)	17	2606P	*Cotter Pin 1/8 x 1
3	70302	Tire 13 - 6.00 x 6	18	1628P	Washer 21/32 x 1 - 1/4 x 16 Ga.
4	70301	Rim - Rear	19	5001P	E-Ring
5	65138	Valve Stem	20	71208	Bearing
6	59192	Valve Cap	21	72401	Kingspin - L.H.
7	5386P	*Bolt, Hex 5/16 - 18 x 1 - 5/8 Gr. 5	22	72400	Kingspin - R.H.
8	653P	*Locknut, Gripco 5/16 - 18 UNC Gr. B	23	72358	Tie Bar
9	1617P	Chain Adjuster	24	56855	Bolt, Shoulder - Special 5/16 - 24
10	67703	Washer 25/32 x 1 - 1/4 x 16 Ga.	25	562P	Locknut, Hex with Washer Insert 5/16 - 24 UNF
11	6067P	Bolt, Hex with Sems Lockwasher 5/16 - 18 x 1	26	72359	Steering Plate
12	72382	Bearing Cup	27	3390B	Screw, Thread Rolling 5/16 - 18 x 1/2
13	62346	Bearing	28	1630P	Washer 21/32 x 1 x 21 Ga.
15	2112J	Differential Assembly	29	67350	Wheel and Tire Assembly 11.00 x 4.00 (Inc. Key No. 30)
			30	64906	Bearing

*STANDARD HARDWARE - PURCHASE LOCALLY

REPAIR PARTS

32" REAR ENGINE RIDING LAWN MOWER-MODEL NUMBER K8327BR

MOWER



REPAIR PARTS

32" REAR ENGINE RIDING LAWN MOWER-MODEL NUMBER K8327BR

MOWER

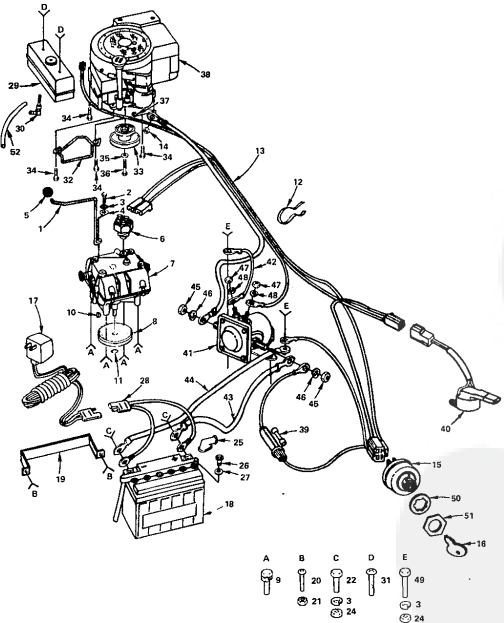
KEY NO.	PART NO.	DESCRIPTION	KEY NO.	PART NO.	DESCRIPTION
1	74212	V-Belt	21	1622P	Washer, 13/32 x 7/8 x 7 Ga.
2	75203	Housing with Silk Screening	22	71596	Discharge Guard
3	75382	Decal - Outer Head	24	70P	*Bolt, Carriage 1/4 - 20 x 3/4 Gr. 5
4	74551	Housing Lifter - R.H.	25	560P	Locknut, Gripco 1/4 - 20 UNC
5	74552	Housing Lifter - L.H.	26	75085	Decal - Discharge Guard
6	69P	*Bolt, Carriage 5/16 - 18 x 3/4 Gr. 5	27	67405	Blade
7	690P	Locknut, Nylon 5/16 - 18 UNC	28	6060P	Screw, Hex Machine w/Sems Lockwasher
8	74553	Strap	29	1631P	Nylon Patch 3/8 - 24 x 7/8 Gr. 5
9	56908	Bolt, Shoulder - Special	30	88107	Washer, 13/32 x 2 - 3/8 x 10 Ga.
10	59808	*Washer 11/32 x 3/4 x 16 Ga.	31	1631P	Brake Assembly
11	71633	Jackshaft Assembly - Driven	32	8021P	*Bolt, Hex 3/8 - 16 x 3/4
12	6925	Jackshaft Assembly - Driver	33	74548	V-Belt
13	545P	Locknut, Gripco 3/8 - 16 UNC	34	74549	Skid - R.H.
14	67400	Idler Pulley	35	74550	Skid - L.H.
15	6066P	Bolt, Hex with Sems Lockwasher 3/8 - 18 x 1 - 1/2	36	19P	Mower Support
16	6066P	Bolt, Hex with Sems Lockwasher 3/8 - 18 x 1 - 1/2	37	67404	*Bolt, Carriage 3/8 - 16 x 3/4
17	67401	Spring	38	8052P	Screw, Hex Head with Sems Lockwasher 5/16 - 18 x 3/4
18	67399	Idler Arm	39	563P	Washer - Special
19	62361	Bolt, Shoulder - Special			
20	67356	Washer - Special			

*STANDARD HARDWARE-PURCHASE LOCALLY

REPAIR PARTS

32" REAR ENGINE RIDING LAWN MOWER-MODEL NUMBER K8327BR

ELECTRICAL



REPAIR PARTS

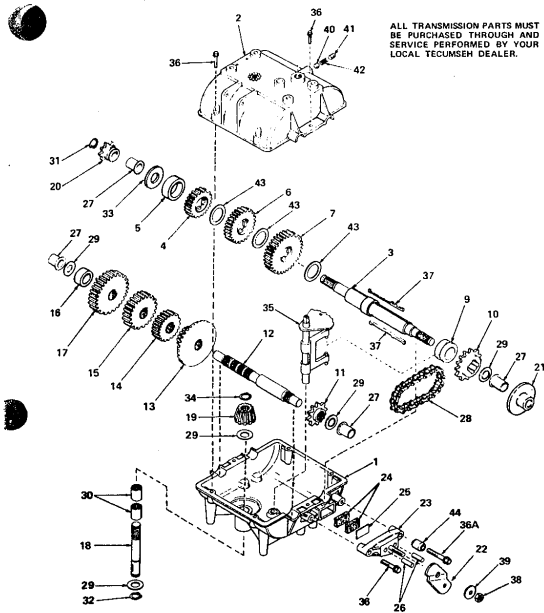
32" REAR ENGINE RIDING LAWN MOWER-MODEL NUMBER K8327BR

ELECTRICAL

KEY NO.	PART NO.	DESCRIPTION	KEY NO.	PART NO.	DESCRIPTION
1	75266	Shift Lever	28	600J	Charger Plug Assembly
2	5386P	Bolt, Hex 1/4 - 28 x 1/2 Gr. 5	29	742J	Fuel Tank
3	1002P	Lockwasher 1/4	30	730J	Fuel Tank Elbow
4	1907P	Washer 9/32 x 3/4 x 16 Ga.	31	3368P	Screw, Trans Hd, Phillips 1/4 - 20 x 5/8
5	6562	Knob	32	677A201	Belt Keeper Assembly
6	74925	Switch - Transmission	33	2188J	Engine Pulley
7	194122A	Transmission Assembly (718A)	34	5606P	Screw, Hex Hd, Thd. Rolling 3/8 - 18 x 1 - 1/2
8	73641	Pulley - Transmission	35	1634P	Washer 3/8 x 1 - 1/4 x 7 Ga.
9	6066P	Bolt w/Sems Lockwasher 5/16 - 18 x 5/8	36	6070P	Screw, Hex Hd, w/Sems Lockwasher 3/8 - 24 x 1 - 3/8 Nylon Patch Gr. 5
10	68349	Key, Woodruff No. 9	37	65053	Key, Woodruff No. 6
11	65302	Retaining Ring	38	191705	Engine, 8 H.P. Briggs & Stratton Type No. 664701
12	43174	Wire Tie	39	6347R	Fuse - 30 Amp.
13	2261J	Wire Harness	40	2053J	Safety Switch
14	63490	Locknut 1/4 - 20	41	7754R	Solenoid
15	4408R	Ignition Switch	42	8021R	Wire, Solenoid Ground
16	7952H	Key	43	665J	Cable Assembly (Battery to Solenoid)
17	70452	Battery Charger	44	2058J	Cable Assembly (Battery to Ground)
18	70451	Battery Pack	45	565P	Nut, Hex 5/16 - 24 UNF
19	72708	Battery Strap	46	1007P	Lockwasher 5/16
20	3397P	Screw, Trans Hd, Phillips 1/4 - 20 x 1/2	47	545P	Nut, Hex No. 10 - 32
21	988P	Locknut, 1/4 - 20 UNC w/Washer Inset	48	1006P	Lockwasher No. 10
22	3114P	Screw, Hex Head 1/4 - 20 x 1/2	49	3003P	Bolt, Hex 1/4 - 20 x 3/4
23	605P	Hex Nut 1/4 - 20	50	67158	Lockwasher, Internal Tooth 5/8
24	605P	Hex Nut 1/4 - 20	51	67759	Nut 5/8 - 32 UNF
25	718J	Terminal Boot	52	2316J	Fuel Line
26	2223J	Cap - Battery			
27	2224J	Gasket - Battery			

REPAIR PARTS

32" REAR ENGINE RIDING LAWN MOWER-MODEL NUMBER K8327BR
TRANSMISSION MODEL NUMBER 719A



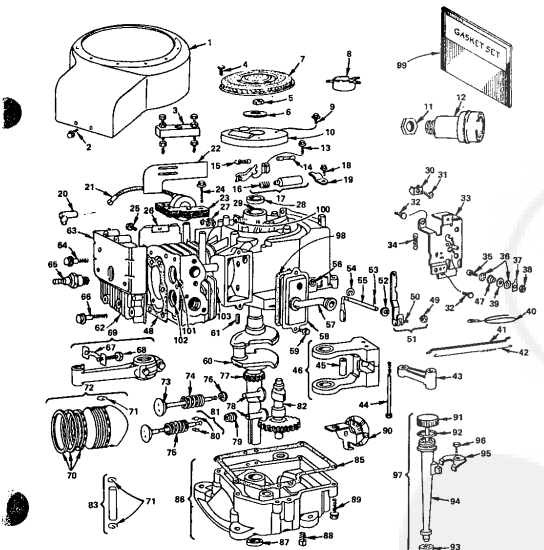
REPAIR PARTS

32" REAR ENGINE RIDING LAWN MOWER-MODEL NUMBER K8327BR
TRANSMISSION MODEL NUMBER 719A

KEY NO.	PART NO.	DESCRIPTION	KEY NO.	PART NO.	DESCRIPTION
1	794212A	Complete Transmission (719A)	25	39007	Plate, Brake pad
2	770061	Case, Transmission	26	78026	Pin, Dowel
3	775070	Shaft, Output and Brake	27	78005	Bushing, Flanged
4	776122	Gear, Spur (20 teeth)	28	76081	Chain, Roller (No. 41 chain, 24 links)
5	785027	Screw, Washer	29	780072	Race, Thrust
6	776123	Gear, Spur (25 teeth)	30	39106	Bearing, Needle
7	776124	Gear, Spur (30 teeth)	31	792072	Ring, Retaining
8	754706	Collar, Shaft	32	78006	Ring, Retaining
9	784706	Sprocket (18 teeth)	33	780109	Washer
10	784853	Sprocket (18 teeth)	34	788490	Ring, Retaining
11	785082	Sprocket (18 teeth)	35	784270	Head & Fork Assy., Shift
12	776134	Shaft, Counter	36	782073	Screw, Hex hd. tapite, 1/4" x 2-1/4"
13	775109	Gear, Spur (42 tooth and 15 tooth spur gear)	36A	792085	Screw, Hex hd. tapite, 1/4" x 2-1/4"
14	776126	Gear, Spur (20 teeth)	37	792089A	Key
15	776127	Gear, Spur (25 teeth)	38	782075	Nut, 5/16" 24 lock
16	786071	Sprocket	39	792076	Washer, Flat, 5/16"
17	775125	Gear, Spur (30 teeth)	40	782077	Ball, Steel, 5/16"
18	776135	Shaft, Input	41	792078	Screw, Set, 5/16" 10 x 3/8
19	776133	Sprocket, Input	42	792079	Spring
20	786047	Sprocket (8 teeth)	43	780106	Washer, Thrust
21	795004	Link, Brake	44	786007	Sprocket
22	795005	Lever, Brake			
23	790005	Holder, Brake pad			
24	790006	Pad, Brake			

REPAIR PARTS

32" REAR ENGINE RIDING LAWN MOWER-MODEL NUMBER K8327BR
BRIGGS & STRATTON 8 H.P. ENGINE-MODEL NO. 191705, TYPE NO. 5647-01
CYLINDER, CRANKSHAFT AND ENGINE BASE GROUP



REPAIR PARTS

32" REAR ENGINE RIDING LAWN MOWER-MODEL NUMBER K8327BR
BRIGGS & STRATTON 8 H.P. ENGINE-MODEL NO. 191705, TYPE NO. 5647-01
CYLINDER, CRANKSHAFT AND ENGINE BASE GROUP

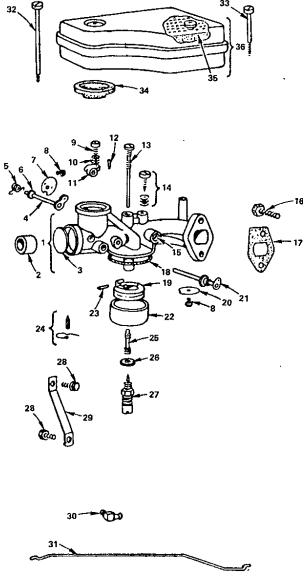
KEY NO.	PART NO.	DESCRIPTION	KEY NO.	PART NO.	DESCRIPTION
1	391379	Housing - Blower	61	61760	Key - Flywheel
2	93188	Screw - Set	62	21286	Cylinder Head
3	18105	Pin - Flywheel	63	222536	Cover - Cylinder Head
4	93905	Screw - Set	64	63211	Screw - 2, 21/32"
5	92284	Nut - Flywheel	65	282918	Spark Plug Resistor
6	220855	Washer - Spring	65	63222	Screw - 3"
7	222552	Screws - Flush Retaining	67	222114	Lock - Connecting Rod Screw
8	222551	Cup - Screen Mfg	68	82559	Screw - Connecting Rod
9	93705	Screw - Set	69	390402	Rod Assy. - Connecting
10	222117	Cover - Breaker Point	70	391699	(Inc. Key No's. 67 & 68)
11	91242	Locknut - Muffler	70	391670	RING SET - PISTON - Std.
12	393010	Muffler - Exhaust	71	391671	.010 Oversize
13	93381	Screw - Breaker Arm	71	391672	.020 Oversize
14	65704	Plunger - Breaker Point	71	391673	.030 Oversize
15	26018	Spring - Breaker Arm	72	391674	.010 Oversize
16	260374	Spring - Connector	72	391675	.020 Oversize
17	294028	Breaker Point & Condenser (Inc. Key No's. 15 & 16)	72	391676	.030 Oversize
18	93042	Screw - Set	73	391676	Lock - Piston Pin
19	226477	Clamp - Condenser	73	261095	Piston Assy. (Inc. Key No's. 70 & 71)
20	65538	Elbow - Spark Plug	74	65906	.010 Oversize
21	221798	Terminal - Ignition Cable	75	26228	Intake Valve
22	221760	Guide - Air	76	221586	Spring - Intake Valve
23	298968	Armature Assy.	77	261195	Retainer - Intake Valve
24	93391	Screw - Armature	78	260822	Retainer - Intake Valve
25	93163	Screw - Set	79	262260	Retainer - Exhaust Valve
26	222836	Shaft - Cylinder	80	93030	Retainer - Exhaust Valve
27	221907	Clip - Wire	81	390419	Exhaust Valve (Inc. Key No. 80)
28	294606	Oil Seal	82	211689	Gear - Cam
29	393075	Cylinder Assembly	83	295640	Pin Assy. - Piston (Inc. Key No. 71)
30	221535	Clamp - Casing	85	295641	Pin Assy. - Piston (005 Oversize)
31	93496	Screw - Set	85	27750	Gasket - Crankcase Cover - 1/64" thick
32	93572	Screw	85	27876	Gasket - Crankcase Cover - .005" thick
33	390662	Plate - Governor Control	85	27877	Gasket - Crankcase Cover - .008" thick
34	291306	Spring - Governor	86	296816	Oil Sump (Inc. Key No's. 85 and 87)
35	91920	Screw - Terminal	87	298423	Oil Seal
36	92761	Lockwasher	88	91084	Plug - Oil Drain
37	93722	Terminal - Speed	89	93585	Screw - Set
38	90576	Hex Nut No. 8, 32	90	392119	Oil Strainer - Governor
39	66068	Washer - Insulating	91	391840	Cap & Dipstick - Oil Filter
40	299500	Wire - Ground	92	27020	Seal - Filter Cap
41	359971	Link - Governor	93	68828	Seal - Filter Tube
42	260584	Spring - Governor Link	94	260133	Tube - Oil Filter
43	212259	Link - Counterweight	95	222402	Clamp - Oil Filter Tube
44	93874	Screw - Counterweight	96	93804	Screw - Clamp Mfg
45	286009	Pin - Counterweight	97	392065	Filter Group - Oil (Inc. Key No's. 91, 92, 93, 94, 95 & 96)
46	390172	Counterweight Assy.	98	27802	Gasket - Valve Cover
47	85554	Collar - Insulating	99	299577	Gasket Set
48	279430	Gasket - Cylinder Head	100	22513	Bushing - Plunger
49	231082	Hex Nut No. 10, 24	101	211681	Seal - Intake Valve (Std.)
50	92613	Ball - Governor Lever	102	211681	Seal - Exhaust Valve (Std.)
51	391733	Lever Assy. - Governor (Inc. Key No's. 49 & 50)	103	236665	Guide - Exhaust Valve
52	222450	Washer - Governor Lever			
53	83308	Otter - Hair Pin			
54	93207	Retainer - O-Ring			
55	231058	Crank - Governor			
56	231055	Bushing - Governor Crank			
57	280025	Breaker Tube			
58	391405	Breather Assy.			
59	93536	Set, Screw			
60	391577	Crankshaft			

ALL ENGINE PARTS MUST BE PURCHASED THROUGH AND SERVICE PERFORMED BY YOUR LOCAL BRIGGS AND STRATTON DEALER.

*INCLUDED IN GASKET SET 299577
SPARK ARRESTER ASSEMBLY (OPTIONAL)
391913 Spark Arrester
222537 Deflector
93705 Screw (H required)

REPAIR PARTS

32" REAR ENGINE RIDING LAWN MOWER-MODEL NUMBER K83278R
BRIGGS & STRATTON 8 H.P. ENGINE-MODEL NO. 191705, TYPE NO. 5647-01
CARBURETOR NUMBER 390811



ALL ENGINE PARTS MUST BE PURCHASED THROUGH AND SERVICE PERFORMED BY YOUR LOCAL BRIGGS AND STRATTON DEALER.

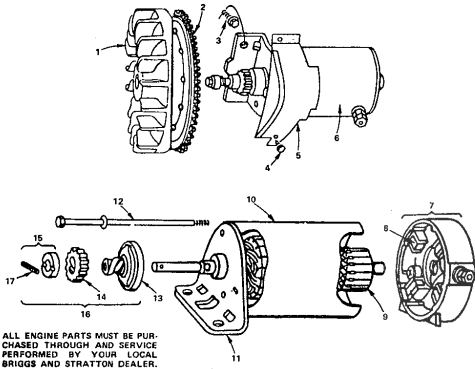
REPAIR PARTS

32" REAR ENGINE RIDING LAWN MOWER-MODEL NUMBER K83278R
BRIGGS & STRATTON 8 H.P. ENGINE-MODEL NO. 191705, TYPE NO. 5647-01
CARBURETOR NUMBER 390811

KEY NO.	PART NO.	DESCRIPTION	KEY NO.	PART NO.	DESCRIPTION
1	209851	Body Ass'y. (Includes Key No. 3)	21	391512	Shaft & Lever - Throttle
2	211852	Venturi - Carburetor	22	221956	Bowl - Float
3	221997	*Plug - Welch	23	230806	*Pin - Float Hinge
4	390684	Shaft and Lever - Choke	24	390606	*Valve - Fuel Inlet
5	261116	Spring - Choke Return	25	230332	*Screw - Nozzle
6	270382	Washer - Choke Shaft	26	220214	*Washer - Float Bowl
7	220310	Valve - Choke	27	391235	*Valve - Needle
8	93499	Screw - Sem	28	93572	Screw
9	91920	Screw - Fil. Hd. Mach. No. 8 - 32 x 5/8	29	220237	Bracket - Carburetor
10	26157	Spring - Throttle Adjustment	30	67219	Connector - Fuel Pipe
11	211712	Stop - Throttle	31	261117	Link - Choke
12	93043	Pin - Throttle Stop	32	93323	Screw - Air Cleaner
13	299740	*Nozzle - Carburetor	33	93822	Screw - Air Cleaner
14	292681	*Valve Ass'y. - Carb. Idle	34	270539	Gasket - Air Cleaner
15	23108	Bushing - Throttle Shaft	35	270528	Element - Air Cleaner
16	93297	Screw - Carburetor Mtg.	36	391299	Air Cleaner Ass'y. (Inc. Key No. 35)
17	270824	*Gasket - Carburetor Mtg.	299852		Carburetor Overhaul Kit (Inc. Parts Marked *)
18	260511	Float - Carburetor	390811		Carburetor Assembly
19	299707	Valve - Throttle			
20	221966	Valve - Throttle			

REPAIR PARTS

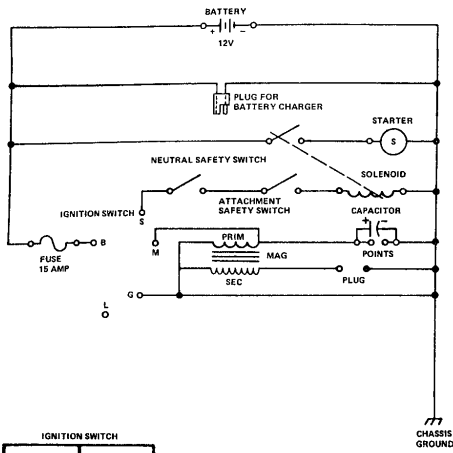
32" REAR ENGINE RIDING LAWN MOWER-MODEL NUMBER K83278R
BRIGGS & STRATTON 8 H.P. ENGINE-MODEL NO. 191705, TYPE NO. 5647-01
FLYWHEEL AND STARTER MOTOR GROUP



ALL ENGINE PARTS MUST BE PURCHASED THROUGH AND SERVICE PERFORMED BY YOUR LOCAL BRIGGS AND STRATTON DEALER.

KEY NO.	PART NO.	DESCRIPTION
1	392034	Flywheel and Ring Gear Ass'y.
2	392134	Gear - Ring
3	93523	Screw - Sem
4	93410	Screw - Sem
5	390233	Cover & Shield - Starter
6	392749	Motor, Starter (Inc. Key No's. 7 thru 17)
7	392646	End Cap Ass'y., Commutator (Inc. Key No. 8)
8	391706	Brush Ass'y.
9	392747	Armature Ass'y.
10	392744	Housing Ass'y.
11	392061	End Cap Ass'y., Drive
12	391706	Thru Bolt Ass'y.
13	391195	Clutch Ass'y.
14	280104	Gear
15	391462	Retainer & Pin (Inc. Key No. 17)
16	391461	Drive Ass'y. (Inc. Key No's. 13, 14 & 15)
17	93754	Roll Pin

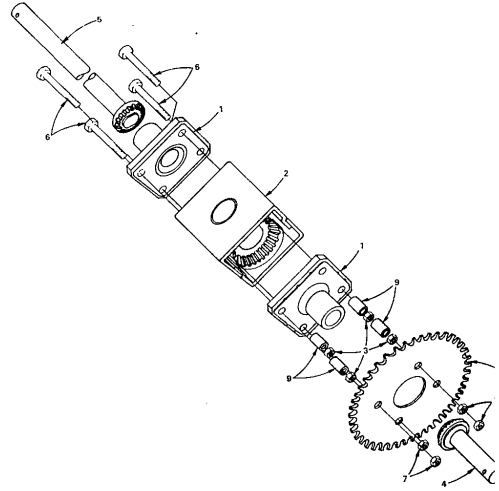
32" REAR ENGINE RIDING LAWN MOWER-MODEL NUMBER K8327CR
SCHEMATIC DIAGRAM



IGNITION SWITCH	
POSITION	CIRCUIT
OFF	M-G
ON	B-L
START	B-S

REPAIR PARTS

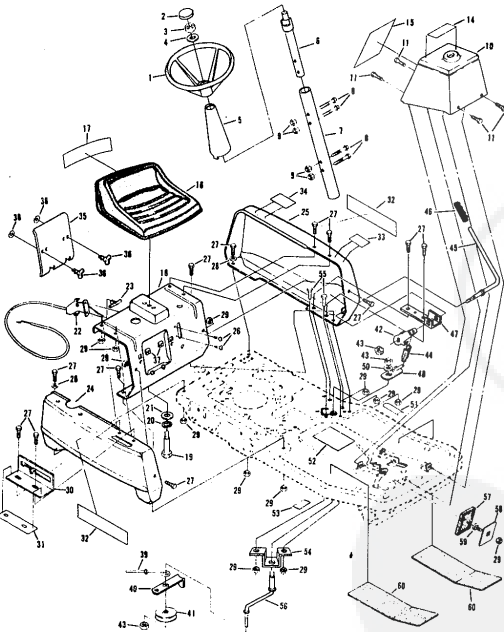
32" REAR ENGINE RIDING LAWN MOWER-MODEL NUMBER K8327CR
DIFFERENTIAL ASSEMBLY PART NUMBER 2112J



KEY NO.	PART NO.	DESCRIPTION
1	2308J	End Cap - Bearing Assembly
2	2308J	Transfer Gear Case Assembly
3	504P	Hex Nut - 5/16 - 18 UNC
4	2310J	Gear Shaft Assembly - Right
5	2311J	Gear Shaft Assembly - Left
6	3280P	Hex Bolt (Plated) 5/16 - 18 x 4 - 1/2
7	575P	Locknut - Gripco 5/16 - 18 UNC (Plated)
8	2312J	Sprocket
9	2313J	Spacer - Sprocket

REPAIR PARTS

32" REAR ENGINE RIDING LAWN MOWER-MODEL NUMBER K8327CR
STEERING AND ENCLOSURE GROUP



REPAIR PARTS

32" REAR ENGINE RIDING LAWN MOWER-MODEL NUMBER K8327CR
STEERING AND ENCLOSURE GROUP

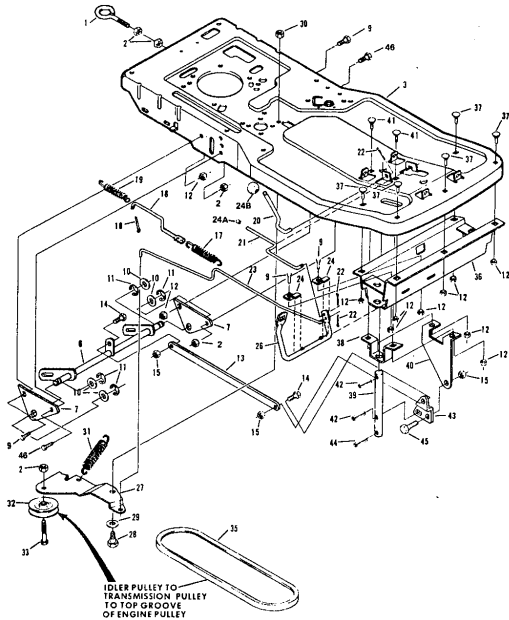
KEY NO.	PART NO.	DESCRIPTION	KEY NO.	PART NO.	DESCRIPTION
1	74564	Steering Wheel	30	74531	Shifter Gate
2	1114J	Insert Cap	31	74580	Decal - Shift
3	558P	*Jam Nut 1/2 - 20 UNF	32	74501	Decal - Roper
4	1549P	Washer 17/32 x 1 x 16 Ga.	33	74501	Decal - Blade Control
5	7270S	Steering Shaft Cover	34	74512	Decal - Engine Area
6	74555	Steering Shaft - Upper	35	7292B	Battery Holder
7	74562	Steering Shaft Extension	36	72319	Wing Head Stud
8	3255P	*Bolt, Hex 1/4 - 20 x 1 - 3/4 Gr. 5	37	73320	Recusacle
9	585P	Locknut with Washer Insert 1/4 - 20 UNC	38	73321	Suit Ring
10	74522	Console Assembly	39	72987	Blade Brake Rod
11	3390P	Screw, Hex, Thread Rolling 5/16 - 18 x 1/2	40	74544	Belt Keeper
14	75122	Decal - Operating Instructions	41	52018	Idler Pulley
15	74558	Decal - Instruction	42	74613	Spring Arm
16	1405J	Seat	44	75045	Locknut - Gripco 3/8 - 16 UNC
17	75070	Decal - Seat	45	74538	Blade Clutch Lever
18	74963	Front Panel	46	71248	Grip
19	72638	Bolt, Shoulder 1/2 - 13 UNC (Inc. Key No. 23)	47	74539	Handle Bracket
20	1000P	*Lockwasher 1/2	48	75339	Control Arm Assembly
21	1625P	Washer 17/32 x 1 - 3/16 x 12 Ga.	50	1636P	Washer 13/32 x 7/8 x 6 Ga.
22	1544J	Throttle Control	51	74559	Decal - Enter and Exit
23	61159	*Screw, Phillips Truss Hd. Thread Cut 1/4 - 20 x 3/4	52	74557	Decal - Brake Instruction
24	74534	Side Panel - R.H.	53	376J	Decal - Clutch and Brake
25	74522	Side Panel - L.H.	54	74642	Idler Support Bracket
26	5547P	*Screw, Phillips Truss Hd. Thread Cut 1/4 - 20 x 3/4	55	3010P	*Bolt, Hex 5/16 - 18 x 3/4
27	3386P	Screw, Hex Washer Hd. Machine 5/16 - 18 x 3/4	56	74643	Idler Arm
28	1626P	Washer 17/32 x 1 - 1/8 x 16 Ga.	58	67189	Foot Pedal Plate
29	575P	*Locknut - Gripco 5/16 - 18 UNC	59	67613	Bolt, Carriage 5/16 - 18 x 3/4 Special
			60	72384	Floor Board Pad
				2079J	Owners Manual

STANDARD HARDWARE-PURCHASE LOCAL

REPAIR PARTS

32" REAR ENGINE RIDING LAWN MOWER-MODEL NUMBER K8327CR

CHASSIS



REPAIR PARTS

32" REAR ENGINE RIDING LAWN MOWER-MODEL NUMBER K8327CR

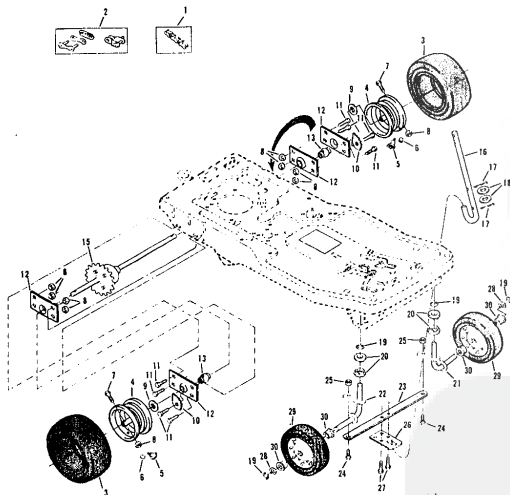
CHASSIS

KEY NO.	PART NO.	DESCRIPTION	KEY NO.	PART NO.	DESCRIPTION
1	70630	Tow Hitch - Eyebolt	28	72387	Foot Pedal
2	5469	*Locknut, Gripco 5/16 - 18 UNC	27	67114	Motion Idler
3	74514	Chassis	28	58855	Bolt, Shoulder 5/16 - 24 x 1/2
6	75284	Lever Arm Assembly	29	1828P	Washer 13/32 x 1 - 1/2 x 10 Ga.
7	75285	Sole Bracket	30	586P	Nut, Nylon 5/16 - 24 UNF
9	3010P	*Bolt, Hex 5/16 - 18 x 3/4	31	2044J	Spring - Idler
10	1580P	Washer 21/32 x 1 x 18 Ga.	32	53018	Pulley - Idler
11	5001P	E-Ring	33	6066P	Bolt, Hex with Sems Lockwasher 3/8 - 18 x 1 - 1/2
12	553P	*Locknut, Gripco 5/16 - 18 UNC Gr. B	35	67348	V-Belt
13	74545	Parallel Bar	36	72357	Front Member Assembly
14	67394	Bolt, Shoulder 5/16 - 18 x 3/4	37	67P	Bolt, Carriage 5/16 - 18 x 3/4 Gr. 5
15	580P	Locknut, Nylon 5/16 - 18 UNC	38	72375	Lifter Bracket
16	73798	Brake Rod - Rear	39	74516	Housing Lifter
17	64294	Spring	40	74515	Ballcrank Bracket
18	2503P	*Cotter Pin 3/32 x 3/4	41	68P	Bolt, Carriage 5/16 - 18 x 1 Gr. 5
19	82755	Spring	42	74576	Drive Lok Pin - Type B
20	74527	Lifter Handle	43	74522	Ballcrank
21	72361	Parking Brake Rod	44	24648	Drive Lok Pin Type F
22	53840	Cotter Pin 5/64 x 3/4	45	68475	Bolt, Shoulder 5/16 - 18 x 3/4
23	72383	Motion Clutch and Brake Rod	46	5021P	Bolt, Hex 5/16 - 18 x 3/4
24	72360	Foot Pedal Clamp			*STANDARD HARDWARE-PURCHASE LOCALLY
24A	71673	Plunger Cap			
24B	55862	Knob			

REPAIR PARTS

32" REAR ENGINE RIDING LAWN MOWER-MODEL NUMBER K8327CR

WHEEL GROUP



REPAIR PARTS

32" REAR ENGINE RIDING LAWN MOWER-MODEL NUMBER K8327CR

WHEEL GROUP

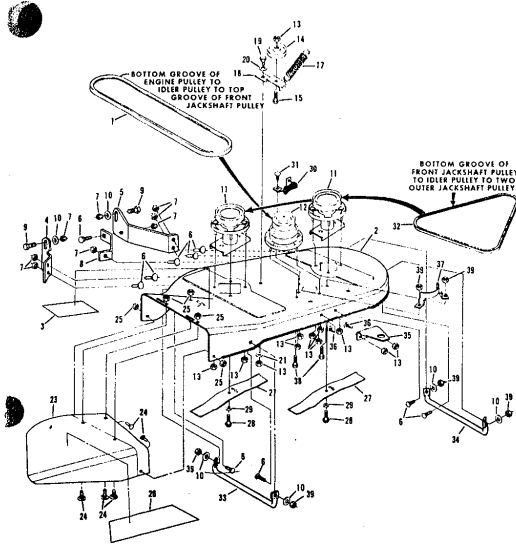
KEY NO.	PART NO.	DESCRIPTION	KEY NO.	PART NO.	DESCRIPTION
1	72818	Chain	18	72547	Steering Shaft
2	60474	Repair Link Kit (Inc. Offset and Connecting Links)	17	2506P	*Cotter Pin 1/8 x 1
3	70302	Tire 13 - 5.00 x 6	16	1623P	Washer 21/32 x 1 - 1/4 x 16 Ga.
4	70301	Rim - Rear	19	6001P	E-Ring
5	65129	Valve Stem	20	71208	Bearing
6	58132	Valve Cap	21	72401	Kingpin - L.H.
7	3395P	*Bolt, Hex 5/16 - 18 x 1 - 5/8 Gr. 5	22	72400	Kingpin - R.H.
8	553P	*Locknut, Gripco 5/16 - 18 UNC Gr. B	23	72358	Tie Bar
9	1617P	Washer 25/32 x 1 - 1/4 x 16 Ga.	24	58855	Bolt, Shoulder - Special 5/16 - 24
10	67703	Chain Adjuster	25	582P	Locknut, Hex with Washer Insert 5/16 - 24 UNF
11	6067P	*Bolt, Hex with Sems Lockwasher 5/16 - 18 x 1	26	72359	Steering Plate
12	72382	Bearing Cup	27	3393P	Screw, Thread Rolling 5/16 - 18 x 1/2
13	62348	Bearing	28	1830P	Washer 21/32 x 1 x 21 Ga.
15	2112J	Differential Assembly	29	67350	Wheel and Tire Assembly 11.00 x 4.00 (Inc. Key No. 30)
			30	64906	Bearing

*STANDARD HARDWARE-PURCHASE LOCALLY

REPAIR PARTS

32" REAR ENGINE RIDING LAWN MOWER—MODEL NUMBER K8327CR

MOWER



REPAIR PARTS

32" REAR ENGINE RIDING LAWN MOWER—MODEL NUMBER K8327CR

MOWER

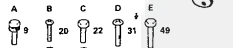
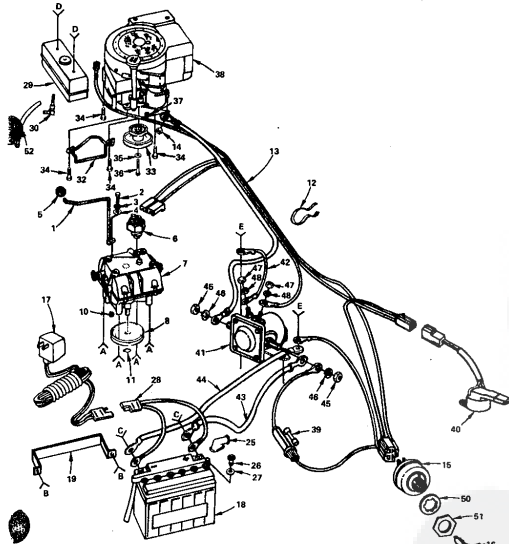
KEY NO.	PART NO.	DESCRIPTION	KEY NO.	PART NO.	DESCRIPTION
1	74212	V Belt	21	1622P	Washer, 13/32 x 7/8 x 7 Ga.
2	78293	Housing with Silk Screening	23	71596	Discharge Guard
3	76382	Decal - Cutter Head	24	70P	*Bolt, Carriage 1/4 - 20 x 3/4 Gr. 5
4	79521	Housing Lifter - R.H.	25	569P	Locknut, Gripco 1/4 - 20 UNC
5	74552	Housing Lifter - L.H.	26	75485	Decal - Discharge Guard
6	67P	*Bolt, Carriage 5/16 - 18 x 3/4 Gr. 5	27	67405	Blank
7	588P	Locknut, Nylon 5/16 - 18 UNC	28	6062P	Screw, Hex Machine w/Sems Lockwasher
8	74553	Strip	29	1631P	Nylon Patch 3/8 - 24 x 7/8 Gr. 5
9	5880B	Bolt, Shoulder - Special	30	88107	Washer 1/2 x 2 - 3/8 x 10 Ga.
10	50806	Washer 11/32 x 3/4 x 16 Ga.	31	5021P	Brake Assembly
11	71033	Jackshaft Assembly - Driver	32	67398	*Bolt, Hex 3/8 - 16 x 3/4
12	69522	Jackshaft Assembly - Driver	33	74548	V-Bolt
13	545P	Locknut, Gripco 3/8 - 16 UNC	34	74548	Skid - R.H.
14	67400	Idler Pulley	35	74550	Mower Support
15	6066P	Bolt, Hex with Sems Lockwasher 3/8 - 16 x 1 - 1/2	36	189P	*Bolt, Carriage 3/8 - 16 x 3/4
17	67401	Spring	37	67404	Bolt Snubber
18	67299	Idler Arm	38	6052P	Screw, Hex Head with Sems Lockwasher 5/16 - 18 x 3/4
19	62361	Bolt, Shoulder - Special	39	553P	Locknut, Gripco 5/16 - 18 UNC
20	67356	Washer - Special			

STANDARD HARDWARE—PURCHASE LOCALLY

REPAIR PARTS

32" REAR ENGINE RIDING LAWN MOWER—MODEL NUMBER K8327CR

ELECTRICAL



REPAIR PARTS

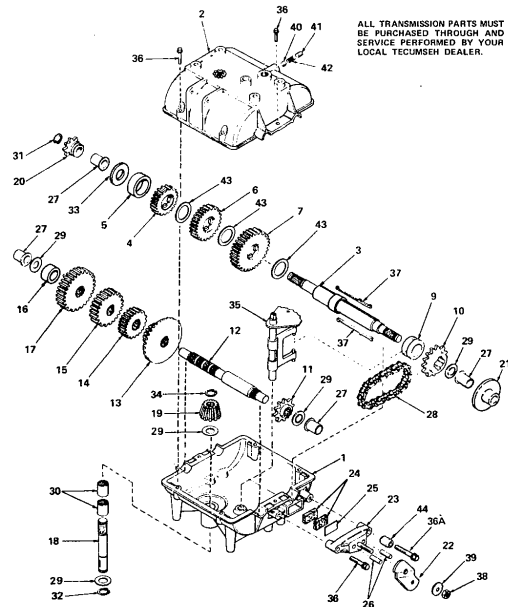
32" REAR ENGINE RIDING LAWN MOWER—MODEL NUMBER K8327CR

ELECTRICAL

KEY NO.	PART NO.	DESCRIPTION	KEY NO.	PART NO.	DESCRIPTION
1	75266	Shift Lever	28	600J	Charger Plug Assembly
2	3389P	Bolt, Hex 1/4 - 28 x 1/2 Gr. 5	29	742J	Fuel Tank
3	1600P	Lockwasher 1/4	30	739J	Fuel Tank Elbow
4	1507P	Washer 3/32 x 3/4 x 16 Ga.	31	3358P	Screw, Truss Hd, Phillips 1/4 - 20 x 5/8
5	55882	Knob	32	677A201	Belt Keeper Assembly
6	74525	Switch - Transmission	33	2186J	Engine Pulley
7	794212A	Transmission Assembly (719A)	34	6608P	Screw, Hex Hd, Trid. Rolling 3/8 - 16 x 1 - 1/2
8	72541	Pulley - Transmission	35	1634P	Washer 3/8 x 1 - 1/4 x 7 Ga.
9	6069P	Bolt w/Sems Lockwasher 5/16 - 18 x 5/8	36	6070P	Screw, Hex Hd, w/Sems Lockwasher 3/8 - 24 x 1 - 3/8 Nylon Patch Gr. 5
10	58349	Key, Woodruff No. 6	37	65053	Key, Woodruff No. 6
11	65302	Retaining Ring	38	191705	Engine, 8 H.P. Briggs & Stratton Type No. 6547-01
12	43174	Wax Tie	39	6347R	Fuse - 30 Amp.
13	2081J	Wire Harness	40	2083J	Safety Switch
14	53496	Locknut 1/4 - 20	41	7754R	Solenoid
15	4406H	Ignition Switch	42	8027R	Wire, Solenoid Ground
16	7552H	Key	43	686J	Cable Assembly (Battery to Solenoid)
17	71903	Battery Charger	44	2086J	Cable Assembly (Battery to Ground)
18	70451	Battery Pack	45	889P	Nut, Hex 5/16 - 24 UNF
19	72708	Battery Strap	46	1007P	Lockwasher 5/16
20	3337P	Screw, Truss Hd, Phillips 1/4 - 20 x 1/2	47	549P	Nut, Hex No. 10 - 32
21	588P	Locknut 1/4 - 20 UNC w/Washer Inset	48	1006P	Lockwasher No. 10
22	3114P	Screw, Hex Head 1/4 - 20 x 1/2 (Furnished w/Battery Pack)	49	3003P	Bolt, Hex 1/4 - 20 x 3/4
23	503P	Hex Nut 1/4 - 20	50	67758	Lockwasher, Internal Tooth 5/8
24	716J	Terminal Boot	51	67759	Nut 5/8 - 32 UNF
25	2233J	Cap - Battery	52	2316J	Fuel Line
26	2224J	Gasket - Battery			

REPAIR PARTS

32" REAR ENGINE RIDING LAWN MOWER-MODEL NUMBER K8327CR
TRANSMISSION MODEL NUMBER 719A



ALL TRANSMISSION PARTS MUST BE PURCHASED THROUGH AND SERVICE PERFORMED BY YOUR LOCAL TECLUMSEH DEALER.

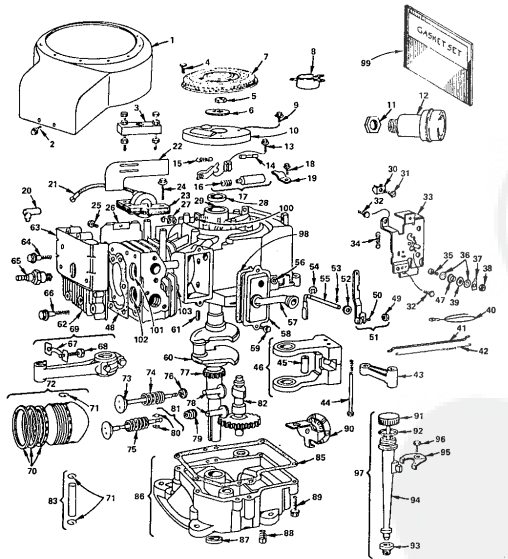
REPAIR PARTS

32" REAR ENGINE RIDING LAWN MOWER-MODEL NUMBER K8327CR
TRANSMISSION MODEL NUMBER 719A

KEY NO.	PART NO.	DESCRIPTION	KEY NO.	PART NO.	DESCRIPTION
1	794212A	Complete Transmission (719A)	25	790007	Plate, Brake pad
2	770081	Case, Transmission	26	780026	Pin, Dowel
3	772070	Cover, Transmission	27	780105	Bushing, Flanged
4	778162	Shaft, Output and Brake	28	780081	Chain, Roller (No. 41 chain, 24 links)
5	778121	Gear, Spur (25 teeth)	29	790072	Race, Thrust
6	786072	Spacer	30	780106	Bearing, Needle
7	778123	Gear, Spur (25 teeth)	31	792077	Ring, Retaining
8	778124	Gear, Spur (30 teeth)	32	792035	Ring, Retaining
9	784266	Collar, Shift	33	780109	Washer
10	786083	Sprocket (18 teeth)	34	788040	Ring, Retaining
11	786082	Sprocket (9 teeth)	35	784270	Rod & Fork Asy., Shift
12	778154	Shaft, Counter	36	792075	Screw, Hex hd. 1/40th, 1/4" - 20 x 1 - 1/4
13	778109	Gear, Bevel (42 tooth and 15 tooth spur gear)	36A	792085	Screw, Hex hd. 1/40th, 1/4" - 20 x 2 - 1/4
14	778126	Gear, Spur (20 teeth)	37	792089A	Key
15	778127	Gear, Spur (25 teeth)	38	792035	Nut, 5/16" - 24 lock
16	786071	Spacer	39	792076	Washer, Flat, 5/16"
17	778129	Gear, Spur (30 teeth)	40	792077	Ball, Steel, 5/16"
18	778135	Shaft, Input	41	792078	Screw, Set, 3/8" - 16 x 3/8
19	778113	Bevel pinion, input	42	792079	Spring
20	786047	Sprocket (8 teeth)	43	780108	Washer, Thrust
21	790003	Brake	44	780067	Spacer
22	790004	Lever, Brake			
23	790005	Hydrol. Brake pad			
24	790006	Pad, Brake			

REPAIR PARTS

32" REAR ENGINE RIDING LAWN MOWER-MODEL NUMBER K8327CR
BRIGGS & STRATTON 8 H.P. ENGINE-MODEL NO. 191705, TYPE NO. 5647-01
CYLINDER, CRANKSHAFT AND ENGINE BASE GROUP



ALL ENGINE PARTS MUST BE PURCHASED THROUGH AND SERVICE PERFORMED BY YOUR LOCAL BRIGGS AND STRATTON DEALER.

REPAIR PARTS

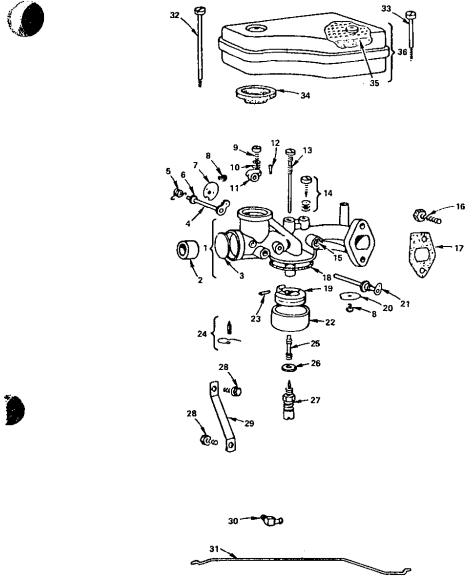
32" REAR ENGINE RIDING LAWN MOWER-MODEL NUMBER K8327CR
BRIGGS & STRATTON 8 H.P. ENGINE-MODEL NO. 191705, TYPE NO. 5647-01
CYLINDER, CRANKSHAFT AND ENGINE BASE GROUP

KEY NO.	PART NO.	DESCRIPTION	KEY NO.	PART NO.	DESCRIPTION
1	391379	Housing - Blower	61	61750	Key - Flywheel
2	93159	Screw - Sam	62	212286	Cylinder Head
3	19165	Puller - Flywheel	63	222636	Cover - Cylinder Head
4	83805	Screw - Sam	64	92211	Screw - 2" 21/32"
5	92284	Nut - Flywheel	65	293918	Spark Plug Resistor
6	220655	Washer - Spring	66	92723	Screw - 3"
7	222662	Screen - Flush Rotating	67	222114	Lock - Connecting Rod Screw
8	222581	Cup - Screen Mtg	68	90553	Rod - Connecting Rod
9	90762	Locknut - Muffler	69	904602	Rod Asy., Connecting (Inc. Key No's 67 & 68)
10	222117	Cover - Breaker Point	70	391669	RING SET - PISTON, Std.
11	91242	Locknut - Muffler	391670		O10 Oversize
12	933010	Muffler - Exhaust	391671		O20 Oversize
13	83381	Screw - Breaker Arm	391672		O30 Oversize
14	85704	Plunger - Breaker Point	71	68546	Lock - Piston Pin
15	26016	Spring - Breaker Arm	72	391613	Piston Asy., Inc. Key No's 70 & 71
16	260374	Spring - Connector	391674		O10 Oversize
17	294628	Breaker Points & Condenser (Inc. Key No's 15 & 16)	391675		O20 Oversize
18	93042	Screw - Sam	391676		O30 Oversize
19	220477	Clamp - Condenser	73	261055	Intake Valve
20	69538	Elbow - Spark Plug	74	69596	Spring - Intake Valve
21	221798	Terminal - Ignition Cable	75	26828	Spring - Exhaust Valve
22	221760	Guide - Air	76	221895	Retainer - Intake Valve
23	298968	Armature Asy.	77	261195	Gear - Timing
24	93381	Screw - Armature	78	260933	Tapet - Valve
25	93163	Screw - Sam	79	292260	Rotocoil - Exhaust Valve
26	222830	Shield - Cylinder	80	90330	Retainer - Exhaust Valve
27	221907	Clip - Wire	81	393419	Exhaust Valve (Inc. Key No. 80)
28	294606	Oil Seal	82	211689	Gear - Cam
29	393675	Cylinder Assembly	83	295640	Pin Asy., Piston (Inc. 2 each Key No. 71)
30	221535	Clamp - Casing	85	295641	Pin Asy., Piston, ODS Oversize
31	93496	Screw - Sam	86	27750	*Gasket - Crankcase Cover - 1/64" thick
32	82572	Plate - Governor Control	27876		Gasket - Crankcase Cover - .006" thick
33	390662	Spring - Governor	27877		Gasket - Crankcase Cover - .008" thick
34	261506	Spring - Governor	86	298616	Oil Sump (Inc. Key No's 85 and 87)
35	91920	Screw - Terminal	87	298423	Oil Seal
36	92791	Lockwasher	88	01084	Plug - Oil Drain
37	93722	Terminal - Spade	89	93385	Screw - Sam
38	90576	Hex Nut No. 8 - 32	90	927118	Oil Slinger - Governor
39	96068	Washer - Insulating	91	391840	Cap & Dipstick - Oil Filter
40	299500	Wire - Ground	92	210920	Seal - Filler Cap
41	260871	Link - Governor	93	68838	Seal - Filler Tube
42	280584	Spring - Governor Link	94	260133	Tube - Oil Filter
43	212359	Link - Counterweight	95	222502	Clamp - Oil Filter Tube
44	93874	Pin - Counterweight	96	93804	Screw - Clamp Mtg.
45	298909	Counterweight Asy.	97	302086	Filter Group - Oil (Inc. Key No's 91, 92, 93, 94, 95 & 96)
46	390172	Counterweight Asy.	98	27803	*Gasket - Valve Cover
47	66554	Collar - Insulating	99	298977	Gasket Set
48	270430	*Gasket - Cylinder Head	100	29512	Bushing - Plunger
49	231062	Hex Nut No. 10 - 24	101	211681	Seat - Intake Valve (Std.)
50	92613	Bolt - Governor Lever	102	211661	Seat - Exhaust Valve (Std.)
51	391733	Lever Asy., Governor (Inc. Key No's 49 & 50)	103	230856	Guide - Exhaust Valve
52	222450	Washer - Governor Lever			
53	93306	Dotter - Hair Pin			
54	93307	Retainer - E-Ring			
55	211058	Crank - Governor			
56	231055	Bushing - Governor Crank			
57	280005	Breather Tube			
58	391408	Breather Asy.			
59	93536	Sims Screw			
60	391757	Crankshaft			

*INCLUDED IN GASKET SET 299577
SPARK ARRESTER ASSEMBLY (OPTIONAL)
Spark Arrester
22537
Deflector
93705
Screw (4 required)

REPAIR PARTS

32" REAR ENGINE RIDING LAWN MOWER - MODEL NUMBER K8327CR
BRIGGS & STRATTON 8 H.P. ENGINE - MODEL NO. 191705, TYPE NO. 5647-01
CARBURETOR NUMBER 390811



ALL ENGINE PARTS MUST BE PURCHASED THROUGH AND SERVICE PERFORMED BY YOUR LOCAL BRIGGS AND STRATTON DEALER.

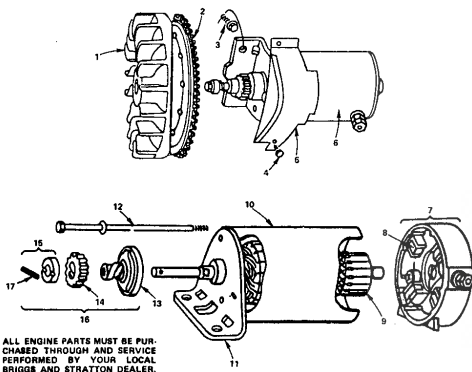
REPAIR PARTS

32" REAR ENGINE RIDING LAWN MOWER - MODEL NUMBER K8327CR
BRIGGS & STRATTON 8 H.P. ENGINE - MODEL NO. 191705, TYPE NO. 5647-01
CARBURETOR NUMBER 390811

KEY NO.	PART NO.	DESCRIPTION	KEY NO.	PART NO.	DESCRIPTION
1	299851	Body Ass'y. (Includes Key No. 3)	21	391512	Shaft & Lever - Throttle
2	211682	Venturi - Carburetor	22	221995	Bowl - Float
3	221997	*Plug - Wash	23	220886	*Pin - Float Hinge
4	350584	Shaft and Lever - Choke	24	290906	*Valve - Fuel Inlet
5	261116	Spring - Choke Return	25	230952	*Screw - Nozzle
6	270382	Washer - Choke Shaft	26	222014	*Washer - Float Bowl
7	222010	Valve - Choke	27	391233	*Valve - Nozzle
8	93499	Screw - Sem	28	93679	Screw
9	91920	Screw - Fil. Hd. Mach. No. B - 32 x 5/8	29	222027	Bracket - Carburetor
10	26157	Spring - Throttle Adjustment	30	61218	Connector - Fuel Pipe
11	211712	Stop - Throttle	31	261117	Link - Choke
12	93643	Pin - Throttle Stop	32	93323	Screw - Air Cleaner
13	259460	*Nozzle - Carburetor	33	93022	Screw - Air Cleaner
14	292681	*Valve Ass'y. - Carb. Idle	34	270539	Gasket - Air Cleaner
15	23108	Bushing - Throttle Shaft	35	270536	Element - Air Cleaner
16	93357	Screw - Carburetor Mfg.	36	391593	Air Cleaner Ass'y. (Inc. Key No 35)
17	270824	*Gasket - Carburetor Mfg.		299852	Carburetor Overhaul Kit (Inc. Parts Marked *)
18	270511	*Gasket - Float Bowl	390811		Carburetor Assembly
19	289107	Float - Carburetor			
20	221985	Valve - Throttle			

REPAIR PARTS

32" REAR ENGINE RIDING LAWN MOWER - MODEL NUMBER K8327CR
BRIGGS & STRATTON 8 H.P. ENGINE - MODEL NO. 191705, TYPE NO. 5647-01
FLYWHEEL AND STARTER MOTOR GROUP

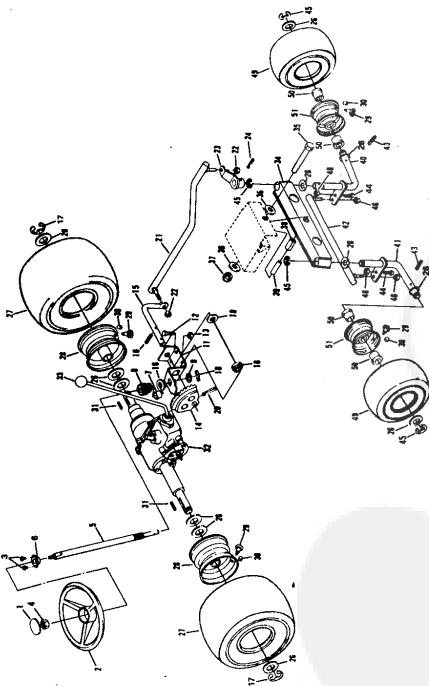


ALL ENGINE PARTS MUST BE PURCHASED THROUGH AND SERVICE PERFORMED BY YOUR LOCAL BRIGGS AND STRATTON DEALER.

KEY NO.	PART NO.	DESCRIPTION
1	392034	Flywheel and Ring Gear Ass'y.
2	392134	Gear - Ring
3	93823	Screw - Sem
4	93410	Screw - Sem
5	390233	Cover & Shield - Starter
6	392749	Motor, Starter (Inc. Key No's. 7 thru 17)
7	390846	End Cap Ass'y. Commutator (Inc. Key No. 8)
8	391705	Brush Ass'y.
9	392747	Armature Ass'y.
10	392744	Housing Ass'y.
11	392061	End Cap Ass'y. Drive
12	391706	Thru Bolt Ass'y.
13	391136	Clutch Ass'y.
14	280104	Gear
15	391462	Retainer & Pin (Inc. Key No. 17)
16	391461	Drive Ass'y. (Inc. Key No's. 13, 14 & 15)
17	93754	Roll Pin

REPAIR PARTS

STEERING AND WHEELS



38" RIDING LAWN TRACTOR—MODEL NUMBER L0289AR

REPAIR PARTS

STEERING AND WHEELS

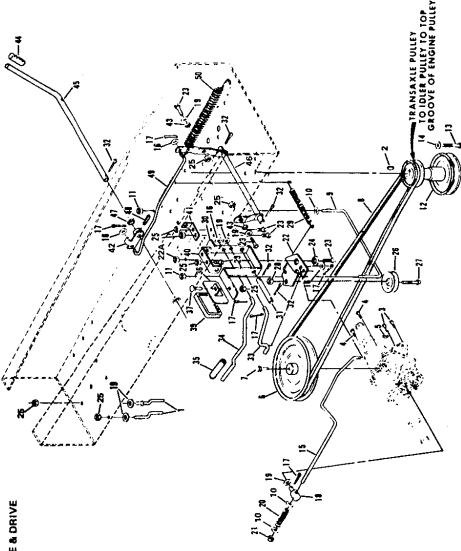
KEY NO.	PART NO.	DESCRIPTION
1	1114J	Steering Wheel Inset
2	506J	Steering Wheel, 9 1/2" Metal Screw
3	5014P	Hub, 1 1/2" Top All Ball
4	794191A	Transaxle Assembly Model 143.058A
5	1585J	Ball, Rec. Shaft
6	1585J	Bushing
7	1585J	Pinion Gear
8	74881	Pinion Gear, 1.175 x 11 Ga.
9	74881	Steering Bracket, 1.165 x 18 x 3/4
10	52379	Steering Pin, 3/16 x 18 UNC
11	74577	Steering Bracket, 1.165 x 18 x 3/4
12	74577	Steering Pin, 3/16 x 18 UNC
13	578P	Nut, Lock 5/16 - 18 UNC
14	1818P	Steering Rod
15	1326J	Steering Rod
16	71208	Bushing
17	71208	Bushing
18	1818P	Steering Rod
19	1818P	Steering Rod
20	73446	Drag Link, 3/8 x 24 UNF
21	71219	Drag Link, 3/8 x 24 UNF
22	71185	Steering Arm Assembly
23	71185	Steering Arm Assembly
24	1522P	Washer, 7/32 x 1.125 x 1.6 Ga.
25	1522P	Washer, 7/32 x 1.125 x 1.6 Ga.
26	1522P	Washer, 7/32 x 1.125 x 1.6 Ga.
27	71652	Tire (18.00 - 8.00 x 8)
28	71652	Tire

* STANDARD HARDWARE—PURCHASE LOCALLY

REPAIR PARTS

CLUTCH-BRAKE & DRIVE

38" RIDING LAWN TRACTOR—MODEL NUMBER L0289AR



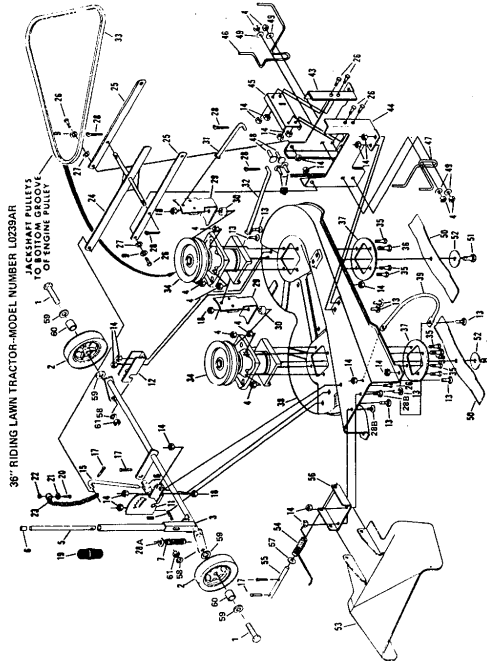
REPAIR PARTS

CLUTCH-BRAKE & DRIVE

KEY NO.	PART NO.	DESCRIPTION
1	71200	Belt Guide
2	6503J	Key, Woodruff No. 6
3	6059P	5/16 - 18 x 7/8
4	6059P	Screw, Hex Head w/Washer
5	52659	Washer, 1/2 - 13 x 3
6	6059P	Key, Woodruff No. 6
7	6059P	Screw, Machine w/Washer
8	73794	1/4 - 20 x 3/4 x 6.5
9	71241	Nut, Bolt Guide
10	71241	Nut, Bolt Guide
11	545P	Locknut, 3/8 - 16 x 7/8 x 16 Ga.
12	71623	Sulley, Engine
13	71623	Sulley, Engine
14	15189	Locknut, 3/8 - 16 x 7/8 x 16 Ga.
15	73792	3/8 - 24 x 1.25 Nylon Patch
16	73792	Brake Rod, 1/4 x 6 Ga.
17	73792	Brake Rod, 1/4 x 6 Ga.
18	71238	Washer, 3/32 x 24 x 16 Ga.
19	71238	Washer, 3/32 x 24 x 16 Ga.
20	71239	Turion
21	71239	Turion
22	591P	Locknut w/Washer 3/8 - 16 UNC
23	591P	Locknut w/Washer 3/8 - 16 UNC
24	588P	Locknut w/Washer 5/16 - 18 UNC
25	588P	Locknut w/Washer 5/16 - 18 UNC
26	588P	Locknut w/Washer 5/16 - 18 UNC
27	588P	Locknut w/Washer 5/16 - 18 UNC
28	588P	Locknut w/Washer 5/16 - 18 UNC
29	588P	Locknut w/Washer 5/16 - 18 UNC
30	588P	Locknut w/Washer 5/16 - 18 UNC
31	71223	Front Seal
32	2506P	Center Pin, 1.8 x 1
33	2506P	Center Pin, 1.8 x 1
34	372J	Park Brake Rod
35	372J	Park Brake Rod
36	71222	Clutch Pin
37	18P	Clutch Pin
38	18P	Clutch Pin
39	18P	Clutch Pin
40	71189	Clutch Pin
41	71189	Clutch Pin
42	73229	Clutch Pin
43	71196	Clutch Pin
44	71196	Clutch Pin
45	71242	Clutch Handle
46	15189	Clutch Arm Assembly
47	15189	Clutch Arm Assembly
48	52239	Spring Pin, 3/16 x 1
49	52239	Spring Pin, 3/16 x 1
50	71248	Spring
51	71248	Spring

* STANDARD HARDWARE—PURCHASE LOCALLY

REPAIR PARTS



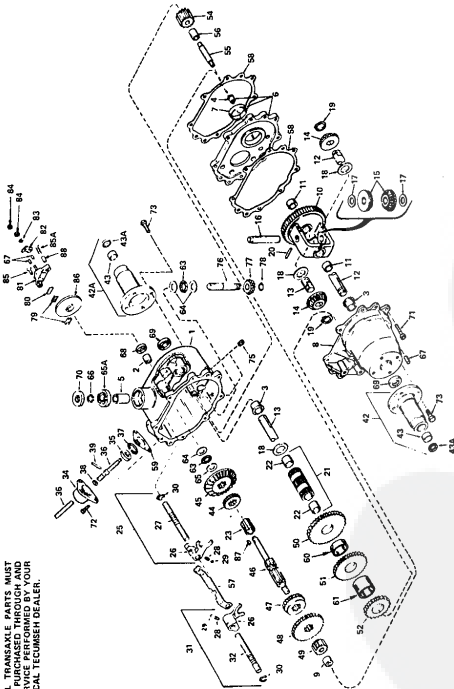
36" RIDING LAWN TRACTOR—MODEL NUMBER L023BAR
MOWER
14, 15 NOT SHOWN IN THIS VIEW
TO BOTTOM GROOVE
OF ENGINE PULLEY

REPAIR PARTS

KEY NO.	PART NO.	DESCRIPTION	KEY NO.	PART NO.	DESCRIPTION
1	3199P	Hex Bolt 3/8" x 2 1/4" x 3/4" Gr. 5	59	677A46	Blade Assembly
2	671A134	Clamp Nut	60	71522	Blade Spring
3	545P	Blade	61	71522	Blade R.H.
4	545P	Blade	62	71522	Blade L.H.
5	671A134	Clamp Nut	63	671A134	Blade R.H. Assembly
6	671A134	Clamp Nut	64	671A134	Blade L.H. Assembly
7	671A134	Clamp Nut	65	671A134	Blade R.H. Assembly
8	671A134	Clamp Nut	66	671A134	Blade L.H. Assembly
9	1599P	Washer 1/162 x 3/4 x 1/8 Gr.	67	71574	Blade Spring
10	1599P	Washer 1/162 x 3/4 x 1/8 Gr.	68	71574	Blade Spring
11	67237	Pin 1/8" x 1/2" x 1/8" Gr. 5	69	71574	Blade Spring
12	67237	Pin 1/8" x 1/2" x 1/8" Gr. 5	70	71574	Blade Spring
13	67237	Pin 1/8" x 1/2" x 1/8" Gr. 5	71	71574	Blade Spring
14	57P	Nut Lock 5/16" - 18 UMC	72	71574	Blade Spring
15	71300	Adjustment Rod	73	71574	Blade Spring
16	71300	Adjustment Rod	74	71574	Blade Spring
17	2539P	Washer 1/162 x 3/4 x 1/8 UMC	75	71574	Blade Spring
18	2539P	Washer 1/162 x 3/4 x 1/8 UMC	76	71574	Blade Spring
19	1747J	Washer 1/162 x 3/4 x 1/8 UMC	77	71574	Blade Spring
20	3224P	Washer 1/162 x 3/4 x 1/8 UMC	78	71574	Blade Spring
21	574P	Washer 1/162 x 3/4 x 1/8 UMC	79	71574	Blade Spring
22	574P	Washer 1/162 x 3/4 x 1/8 UMC	80	71574	Blade Spring
23	72015	Pin 1/8" x 1/2" x 1/8" Gr. 5	81	71574	Blade Spring
24	72015	Pin 1/8" x 1/2" x 1/8" Gr. 5	82	71574	Blade Spring
25	7139P	Washer 1/162 x 3/4 x 1/8 UMC	83	71574	Blade Spring
26	7139P	Washer 1/162 x 3/4 x 1/8 UMC	84	71574	Blade Spring
27	71610	Washer 1/162 x 3/4 x 1/8 UMC	85	71574	Blade Spring
28	1515P	Washer 1/162 x 3/4 x 1/8 UMC	86	71574	Blade Spring
29	57P	Nut Lock 5/16" - 18 UMC	87	71574	Blade Spring
30	57P	Nut Lock 5/16" - 18 UMC	88	71574	Blade Spring

REPAIR PARTS

36" RIDING LAWN TRACTOR—MODEL NUMBER L023BAR
TRANAXLE—MODEL NUMBER 143.658A



ALL TRANAXLE PARTS MUST BE PURCHASED THROUGH AND SERVICE PERFORMED BY YOUR LOCAL TECHNICIAN DEALEN.

REPAIR PARTS

36" RIDING LAWN TRACTOR—MODEL NUMBER L023BAR
TRANAXLE—MODEL NUMBER 143.658A

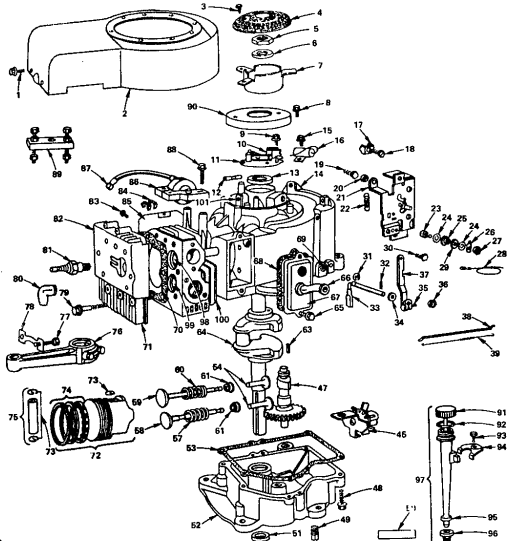
KEY NO.	PART NO.	DESCRIPTION	KEY NO.	PART NO.	DESCRIPTION
1	704191A	Complete Transaxle	45	78957	Gear, Bevel (23 Teeth)
2	78957	Gear Axle, Transaxle (Inc. No's 1, 2, 3 & 5)	46	78957	Shaft, Input
3	78957	Bearing, Input	47	78957	Gear, Output (15 Teeth)
4	78957	Bearing, Output	48	78957	Shaft, Output
5	78957	Bearing, Intermediate	49	78957	Gear, Output (25 Teeth)
6	78957	Bearing, Output	50	78957	Shaft, Output
7	78957	Bearing, Input	51	78957	Gear, Output (15 Teeth)
8	78957	Bearing, Intermediate	52	78957	Shaft, Output
9	78957	Bearing, Output	53	78957	Gear, Output (15 Teeth)
10	78957	Bearing, Input	54	78957	Shaft, Output
11	78957	Bearing, Intermediate	55	78957	Gear, Output (15 Teeth)
12	78957	Bearing, Output	56	78957	Shaft, Output
13	78957	Bearing, Input	57	78957	Gear, Output (15 Teeth)
14	78957	Bearing, Intermediate	58	78957	Shaft, Output
15	78957	Bearing, Output	59	78957	Gear, Output (15 Teeth)
16	78957	Bearing, Input	60	78957	Shaft, Output
17	78957	Bearing, Intermediate	61	78957	Gear, Output (15 Teeth)
18	78957	Bearing, Output	62	78957	Shaft, Output
19	78957	Bearing, Input	63	78957	Gear, Output (15 Teeth)
20	78957	Bearing, Intermediate	64	78957	Shaft, Output
21	78957	Bearing, Output	65	78957	Gear, Output (15 Teeth)
22	78957	Bearing, Input	66	78957	Shaft, Output
23	78957	Bearing, Intermediate	67	78957	Gear, Output (15 Teeth)
24	78957	Bearing, Output	68	78957	Shaft, Output
25	78957	Bearing, Input	69	78957	Gear, Output (15 Teeth)
26	78957	Bearing, Intermediate	70	78957	Shaft, Output
27	78957	Bearing, Output	71	78957	Gear, Output (15 Teeth)
28	78957	Bearing, Input	72	78957	Shaft, Output
29	78957	Bearing, Intermediate	73	78957	Gear, Output (15 Teeth)
30	78957	Bearing, Output	74	78957	Shaft, Output
31	78957	Bearing, Input	75	78957	Gear, Output (15 Teeth)
32	78957	Bearing, Intermediate	76	78957	Shaft, Output
33	78957	Bearing, Output	77	78957	Gear, Output (15 Teeth)
34	78957	Bearing, Input	78	78957	Shaft, Output
35	78957	Bearing, Intermediate	79	78957	Gear, Output (15 Teeth)
36	78957	Bearing, Output	80	78957	Shaft, Output
37	78957	Bearing, Input	81	78957	Gear, Output (15 Teeth)
38	78957	Bearing, Intermediate	82	78957	Shaft, Output
39	78957	Bearing, Output	83	78957	Gear, Output (15 Teeth)
40	78957	Bearing, Input	84	78957	Shaft, Output
41	78957	Bearing, Intermediate	85	78957	Gear, Output (15 Teeth)
42	78957	Bearing, Output	86	78957	Shaft, Output
43	78957	Bearing, Input	87	78957	Gear, Output (15 Teeth)
44	78957	Bearing, Intermediate	88	78957	Shaft, Output

REPAIR PARTS

36" RIDING LAWN TRACTOR-MODEL NUMBER L0239AR
BRIGGS & STRATTON 10 H.P. ENGINE-MODEL NO. 220707, TYPE NO. 0134-01

CYLINDER, CRANKSHAFT AND ENGINE BASE GROUP

ALL ENGINE PARTS MUST BE PURCHASED THROUGH AND SERVICE PERFORMED BY YOUR LOCAL BRIGGS AND STRATTON DEALER.



REPAIR PARTS

36" RIDING LAWN TRACTOR-MODEL NUMBER L0239AR
BRIGGS & STRATTON 10 H.P. ENGINE-MODEL NO. 220707, TYPE NO. 0134-01

CYLINDER, CRANKSHAFT AND ENGINE BASE GROUP

KEY NO.	PART NO.	DESCRIPTION	KEY NO.	PART NO.	DESCRIPTION
1	93158	Screw - Blower Housing Mounting Sem	57	26829	Spring - Exhaust Valve
2	381566	Housing - Blower	58	231533	Valve - Exhaust
3	38098	Screw - Sem	59	261452	Valve - Intake
4	227562	Screen - Flush Rotating	60	65206	Spring - Intake Valve
5	92584	Nut - Hex	61	221596	Retainer - Intake Valve
6	229885	Washer - Spring	62	61760	Key - Flywheel
7	225641	Cap - Screw Mounting	63	61605	Crankshaft
8	93014	Screw - Sem	64	93304	Screw - Sem
9	93296	Cap - Screw Mounting	65	280100	Tube - Breather
10	26018	Spring - Breather Arm	67	391406	Breather Assembly
11	591984	Breaker As'y - Ignition (Inc. No. 10)	68	27803	Gasket - Valve Cover
12	65704	Puncher - Breaker Point	69	231055	Bushing - Gov. Crank (1 1/4" I.D.)
13	391085	Seal - Oil	70	271075	Gasket - Cylinder Head
14	393593	Cylinder As'y. (Inc. No. 13)	71	212366	Head - Cylinder
15	93042	Screw - Sem	72	391285	Piston As'y. - Standard (Inc. No.'s. 73 & 74)
16	391792	Condenser	73	391287	Piston As'y. - 010" O.S.
17	221535	Clamp - Gaining	74	391288	Piston As'y. - 020" O.S.
18	93496	Screw - Sem	75	391289	Piston As'y. - 030" O.S.
19	93688	Screw - Control Bracket Mounting	76	269924	Lock - Piston Pin
20	231039	Screw - Control Bracket Mounting	77	391290	Ring Set - Piston - Std.
21	390662	Plate - Gov. Control	78	391781	Ring Set - Piston - 010" O.S.
22	291306	Spring - Governor	79	391782	Ring Set - Piston - 020" O.S.
23	91920	Screw - Terminating	80	391783	Ring Set - Piston - 030" O.S.
24	92591	Washer - Lock - Shakeproof	81	299951	Pin As'y. - Piston - Std. (Inc. No. 73)
25	66554	Collar - Insulating	82	391286	Pin As'y. - Piston - 005" O.S.
26	93722	Terminal - Spade	83	66360	Lock - Conn. Rod Screw
27	90576	Nut - Hex B - 32	84	92920	Screw - Conn. Rod
28	391922	Wire - Ground	85	222259	Lock - Conn. Rod Screw
29	66088	Washer - Insulating	86	93723	NOTE: 33181 Stud - Cylinder Head
30	93572	Retainer - E-Ring	87	22865	Washer
31	83307	Retainer - E-Ring	88	66538	Elbow - Spark Plug
32	83266	Collar - Main Pin	89	239318	Plug - Spark (1 - 1/2" High - 37 - 42 MM)
33	231058	Crank - Governor (1/4" Dia.)	90	222725	NOTE: Spark Plug use Ignition Cable
34	222450	Washer - Gov. Crank (1/4" I.D.)	91	222726	Terminal - Spade
35	92613	Ball - Governor Lever	92	222727	Cover - Cylinder Head
36	231082	Nut - Hex 10 - 24	93	222728	Screw - Cylinder Head Mtg. Sem
37	391733	Link - Governor	94	222729	Screw - Cylinder Head Mtg. Sem
38	261198	Level As'y. - Governor (for 1/4" Dia. Crank) (Inc. No.'s. 35 & 36)	95	222730	NOTE: Spark Plug use Ignition Cable
39	261197	Spring - Governor Link	96	222731	Clip - Wire
40	391764	Oil Slinger - Gov. Gear & Bracket As'y.	97	222732	Spring - Governor
41	212796	Gear - Cam	98	222733	NOTE: Spark Plug use Ignition Cable
42	93586	Screw - Spring Mounting Sem	99	222734	Terminal - Ignition Cable
43	91094	Plug - Oil Drain	100	63381	Screw - Armature Mounting Sem
44	393411	Gasket - Seal	101	10299	Filler - Flywheel
45	291975	Seal - Oil	102	222309	Cover - Breaker Point
46	391784	Sump - Oil (Inc. No.'s. 51 & 53)	103	391841	Cap and Dipstick - Oil Filler
47	270828	*Gasket - Crankcase Cover - 1/64" Thick	104	270920	Seal - Filler Cap
48	270916	*Gasket - Crankcase Cover - 0/65" Thick	105	93804	Screw - Clamp Mtg.
49	270916	*Gasket - Crankcase Cover - 0/65" Thick	106	222502	Clamp - Oil Filler Tube
50	270916	*Gasket - Crankcase Cover - 0/65" Thick	107	93804	Tube - Oil Filler
51	261193	Tappet - Valve	108	66838	Seal - Filler Tube
52	261193	Tappet - Valve	109	392057	Filler Group - Oil
53	261193	Tappet - Valve	110	215681	Intake Valve Seat
54	261193	Tappet - Valve	111	230881	Exhaust Valve Seat
55	261193	Tappet - Valve	112	23513	Plunger - Bushing

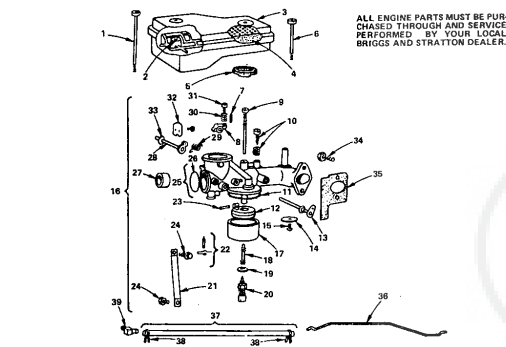
*STANDARD HARDWARE-PURCHASE LOCALLY

REPAIR PARTS

36" RIDING LAWN TRACTOR-MODEL NUMBER L0239AR
BRIGGS & STRATTON 10 H.P. ENGINE-MODEL NO. 220707, TYPE NO. 0134-01

AIR CLEANER AND CARBURETOR

ALL ENGINE PARTS MUST BE PURCHASED THROUGH AND SERVICE PERFORMED BY YOUR LOCAL BRIGGS AND STRATTON DEALER.



KEY NO.	PART NO.	DESCRIPTION	KEY NO.	PART NO.	DESCRIPTION
1	93323	Screw - Air Cleaner	24	93572	Screw
2	260118	Support - Air Cleaner Element	25	291787	Body As'y. - Carburetor (Inc. No. 26)
3	391786	Cleaner As'y. - Air (Inc. No.'s. 2 & 4)	26	221997	*Plug - Wash
4	270843	Element - Air Cleaner	27	211960	Venturi - Carburetor
5	270853	Gasket - Air Cleaner	28	360584	Shaft & Lever - Choke
6	93822	Screw - Air Cleaner	29	261116	Spring - Choke Return
7	93943	Pin - Throttle Stop	30	26157	Spring - Throttle Adjustment
8	211712	Stop - Throttle	31	91920	Screw - Machine, Fil. Hd. 8 - 32 x 5/8"
9	299740	Nozzle - Carburetor	32	222010	Valve - Choke
10	297861	Valve As'y. - Carburetor Idle	33	270382	Washer - Choke Shaft
11	270511	*Gasket - Float Bowl	34	93357	Screw - Carburetor Mtg.
12	299707	Float - Carburetor	35	270872	*Gasket - Carburetor Mtg.
13	391512	Shaft & Lever - Throttle	36	261274	LFA - Choke
14	222658	Valve - Throttle	37	298004	Pipe - Fuel (Inc. No. 38)
15	93499	Screw - Throttle & Choke Valve Mtg. Sem	38	93003	Clamp - Fuel Pipe
16	393410	Carburetor As'y. (Choke-A-Matic) (Inc. No.'s. 7 thru 33)	39	67218	Connector - Fuel Pipe
17	221985	Bowl - Float			
18	250932	*Screw - Nozzle			
19	222014	Washer - Float Bowl			
20	391233	Valve - Needle			
21	222311	Bracket - Carburetor			
22	299598	Valve - Fuel Inlet			
23	230898	*Pin - Float Hinge			

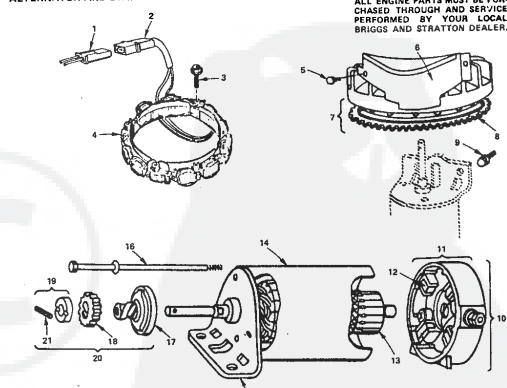
*INCLUDED IN CARBURETOR OVERHAUL KIT - PART NO. 298652
*INCLUDED IN GASKET SET - PART NO. 393411

REPAIR PARTS

36" RIDING LAWN TRACTOR-MODEL NUMBER L0239AR
BRIGGS & STRATTON 10 H.P. ENGINE-MODEL NO. 220707, TYPE NO. 0134-01

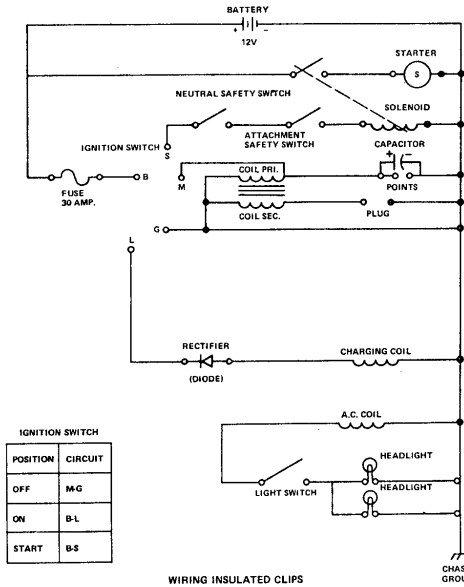
ALTERNATOR AND STARTER MOTOR GROUP

ALL ENGINE PARTS MUST BE PURCHASED THROUGH AND SERVICE PERFORMED BY YOUR LOCAL BRIGGS AND STRATTON DEALER.



KEY NO.	PART NO.	DESCRIPTION	KEY NO.	PART NO.	DESCRIPTION
1	393262	All. Harness Assembly	10	392749	Motor and Drive As'y. (12 Volts (Inc. No.'s. 11 thru 20)
2	393456	Diode and Conn. Assembly	11	390846	End Cap As'y. - Commutator (Inc. No. 12)
3	93521	Screw - Sem	12	391705	Brush As'y.
4	393474	Stator - Alternator	13	391705	Armature As'y.
5	93410	Screw - Sem	14	392744	Housing As'y.
6	390233	Cover and Shield - Starter	15	392061	End Cap As'y. - Drive
7	391968	Flywheel & Ring Gear As'y. - Magnet (Inc. No. 14)	16	391705	Thru Bolt As'y.
8	392134	Gear - Ring (Inc. Mounting Parts)	17	391125	Clutch As'y.
9	93523	Screw - Sem	18	280104	Gear
			19	391452	Retainer & Pin
			20	391461	Drive As'y. (Inc. No.'s. 17, 18 & 19)
			21	93754	Roll Pin

36" RIDING LAWN TRACTOR-MODEL NUMBER L0239AR
SCHEMATIC DIAGRAM

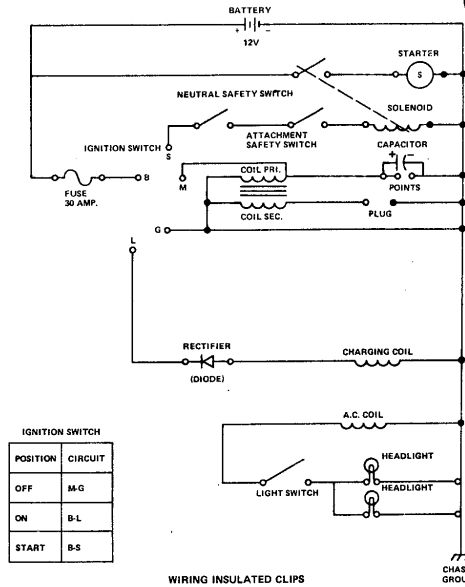


WIRING INSULATED CLIPS
If Insulated Clips were removed for servicing of unit, they should be replaced to properly secure your wiring. There are three Insulated Clips on your Tractor.

1. L.H. side of Tractor for safety switch wires (Key No. 28, page 14).
2. R.H. side of Tractor securing wire harness and cable wire (Key No. 31, page 14).
3. Headlight wire (Key No. 26, page 14).

REPAIR PARTS

36" RIDING LAWN TRACTOR-MODEL NUMBER L1219AR
SCHEMATIC DIAGRAM

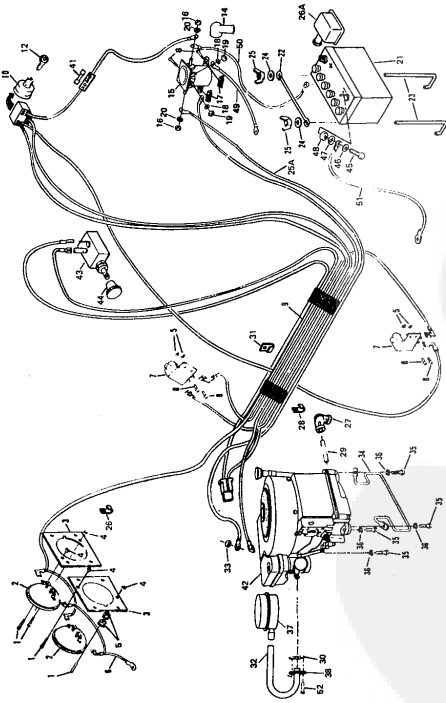


WIRING INSULATED CLIPS
If Insulated Clips were removed for servicing of unit, they should be replaced to properly secure your wiring. There are three Insulated Clips on your Tractor.

1. L.H. side of Tractor for safety switch wires (Key No. 28, page 14).
2. R.H. side of Tractor securing wire harness and cable wire (Key No. 31, page 14).
3. Headlight wire (Key No. 26, page 14).

36" RIDING LAWN TRACTOR-MODEL NUMBER L1219AR

REPAIR PARTS
ELECTRIC & ENGINE



36" RIDING LAWN TRACTOR-MODEL NUMBER L1219AR

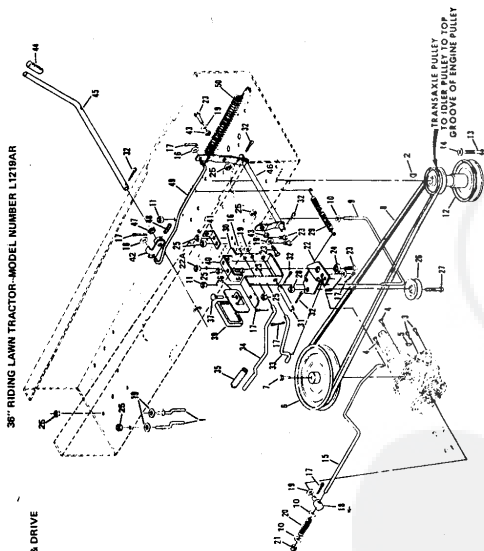
REPAIR PARTS
ELECTRIC & ENGINE

KEY NO.	PART NO.	DESCRIPTION
1	3220P	Spark Plug
2	6450R	Coil, Magneto
3	7315R	Headlight, Support
4	4821A	Headlight, Lens
5	7110B	Headlight, Lock No. 10-24 UNC
6	7110B	Headlight, Lock No. 10-24 UNC
7	7765R	Wiring Harness
8	5925P	Safety Switch
9	5925P	Safety Switch, Phillips Head
10	4492A	Ignition Switch (Inc. Ref. No. 12)
11	7567H	Key Set
12	7567H	Key Set, Cover
13	7765R	Solenoid
14	7765R	Solenoid, Lock No. 10-24 UNC
15	7765R	Solenoid, Lock No. 10-24 UNC
16	578P	Washer, Lock No. 10-24 UNC
17	578P	Washer, Lock No. 10-24 UNC
18	1006P	Lockwasher, S18
19	1006P	Lockwasher, S18
20	1006P	Lockwasher, S18
21	6027R	Battery Rod
22	6027R	Battery Rod
23	1507P	Washer, Lock No. 10-24 UNC
24	1507P	Washer, Lock No. 10-24 UNC
25	577P	Wing Nut 1/4"-20 UNC
26	2521R	Insulated Clip
27	2521R	Terminal Cover
28	2521R	Terminal Cover

*STANDARD HARDWARE-PURCHASE LOCALLY
OPTIONAL EQUIPMENT
Spark Arrestor/Muffler LAC48AR

REPAIR PARTS

CLUTCH-BRAKE & DRIVE



REPAIR PARTS

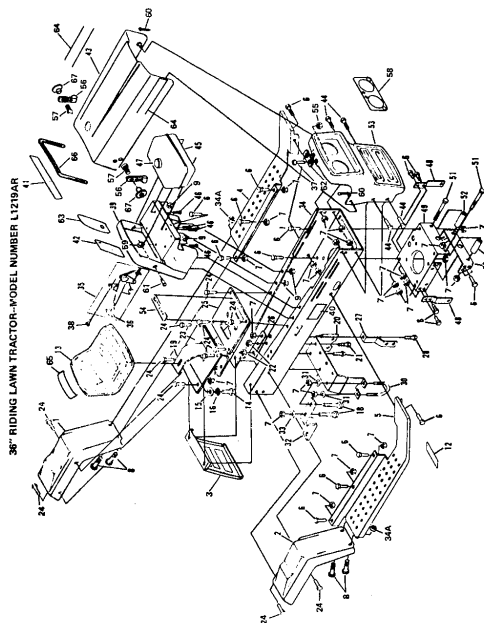
CLUTCH-BRAKE & DRIVE

REF. NO.	PART NO.	DESCRIPTION
1	71200	Blk Guide
2	60599	Screw, Hex Head w/Washer
3	60599	Screw, Hex Head w/Washer
4	60599	Screw, Hex Head w/Washer
5	52889	Washer, 3/8 x 1-1/8
6	72842	Pulley, 1/2 x 1-1/8
7	60599	Screw, Hex Head w/Washer
8	72394	Washer, 1/2 x 1-1/8
9	16119	Washer, 1/2 x 1-1/8
10	16119	Washer, 1/2 x 1-1/8
11	71820	Screw, Machine w/Ext. Lockwasher
12	71820	Screw, Machine w/Ext. Lockwasher
13	6000P	Washer, 1/2 x 1-1/8
14	1610P	Washer, 1/2 x 1-1/8
15	16079	Washer, 1/2 x 1-1/8
16	16079	Washer, 1/2 x 1-1/8
17	2000P	Washer, 1/2 x 1-1/8
18	16089	Washer, 1/2 x 1-1/8
19	16089	Washer, 1/2 x 1-1/8
20	5119P	Washer, 1/2 x 1-1/8
21	71001	Washer, 1/2 x 1-1/8
22	71001	Washer, 1/2 x 1-1/8
23	500P	Washer, 1/2 x 1-1/8

*STANDARD HARDWARE - PURCHASE LOCALLY

REPAIR PARTS

CHASSIS



REPAIR PARTS

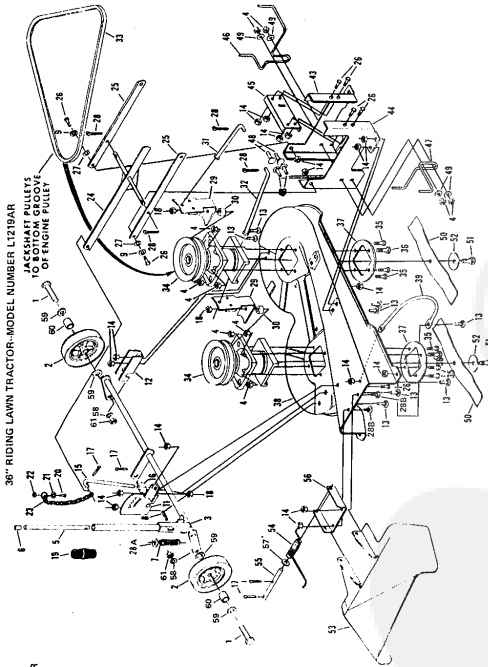
CHASSIS

REF. NO.	PART NO.	DESCRIPTION
1	388U	Front B.R.H.
2	388U	Front B.R.H.
3	1538L	Rear Cover
4	1540L	Rear Cover
5	1540L	Rear Cover
6	571P	Nut, Lock 5/16-18 UNC
7	571P	Nut, Lock 5/16-18 UNC
8	3000P	Bolt, Hex Head 5/16-18 x 1/2
9	1133L	Washer, 5/16-18 x 3/4
10	1133L	Washer, 5/16-18 x 3/4
11	1133L	Washer, 5/16-18 x 3/4
12	1133L	Washer, 5/16-18 x 3/4
13	3042P	Washer, 1/2 x 1-1/8
14	1540P	Washer, 1/2 x 1-1/8
15	1540P	Washer, 1/2 x 1-1/8
16	3012P	Washer, 1/2 x 1-1/8
17	3012P	Washer, 1/2 x 1-1/8
18	3012P	Washer, 1/2 x 1-1/8
19	3012P	Washer, 1/2 x 1-1/8
20	72191	Transaxle Support
21	3023P	Washer, 1/2 x 1-1/8
22	1756L	Cover Plate, 3/4" Thick
23	1756L	Cover Plate, 3/4" Thick
24	5827P	Chassis Cover
25	6716Z	Chassis Cover
26	6716Z	Chassis Cover
27	71198	Washer, 5/16-18 x 1/2
28	71198	Washer, 5/16-18 x 1/2
29	71198	Washer, 5/16-18 x 1/2
30	71068	Washer, 5/16-18 x 1/2
31	71068	Washer, 5/16-18 x 1/2
32	1610P	Washer, 1/2 x 1-1/8
33	1610P	Washer, 1/2 x 1-1/8
34	1610P	Washer, 1/2 x 1-1/8
35	1610P	Washer, 1/2 x 1-1/8
36	1610P	Washer, 1/2 x 1-1/8
37	1610P	Washer, 1/2 x 1-1/8
38	1610P	Washer, 1/2 x 1-1/8
39	1610P	Washer, 1/2 x 1-1/8
40	1610P	Washer, 1/2 x 1-1/8
41	1610P	Washer, 1/2 x 1-1/8
42	1610P	Washer, 1/2 x 1-1/8
43	1610P	Washer, 1/2 x 1-1/8
44	1610P	Washer, 1/2 x 1-1/8
45	72627	Foot Pedal
46	72627	Foot Pedal
47	72627	Foot Pedal
48	72627	Foot Pedal
49	18391	Foot Pedal
50	71178	Washer, 5/16-18 x 1/2
51	71431	Washer, 5/16-18 x 1/2
52	71431	Washer, 5/16-18 x 1/2
53	71431	Washer, 5/16-18 x 1/2
54	74207	Battery Cab
55	4832H	Locknut No. 10-24 UNC
56	3068P	Screw, Phillips P.H. Machine
57	3068P	Screw, Phillips P.H. Machine
58	602J	Deck - Headlight
59	521P	Nut, Hex No. 10-24 UNC
60	6135R	Head Light Pin
61	6135R	Head Light Pin
62	1134L	Deck - DASH, L.H.
63	1134L	Deck - DASH, L.H.
64	225J	Deck - DASH, L.H.
65	225J	Deck - DASH, L.H.
66	682J	Wood Strip
67	682J	Wood Strip

*STANDARD HARDWARE - PURCHASE LOCALLY

REPAIR PARTS

MOWER



38" RIDING LAWN TRACTOR—MODEL NUMBER L1219AR

REPAIR PARTS

MOWER

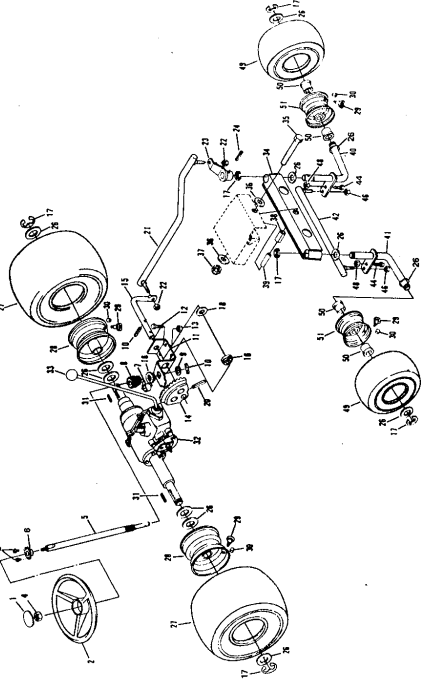
38" RIDING LAWN TRACTOR—MODEL NUMBER L1219AR

REF. NO.	PART NO.	DESCRIPTION	REF. NO.	PART NO.	DESCRIPTION
1	3198P	Hex Bolt 3/8" x 2 1/2" - 24 Gr. 5	29	877A46	Brake Assembly
2	877A134	Front Rod Assembly	30	506J	Steering Wheel
3	165J1	Roller	31	71525	Brake Rod - R.H.
4	849R	Roller	32	71526	Brake Rod - L.H.
5	165J1	Cap - Lever Plunger	33	877A134	Transaxle Assembly Model 143.68A (See Pages 24 and 25)
6	849R	Roller	34	877A134	Transaxle Assembly Model 143.68A (See Pages 24 and 25)
7	849R	Roller	35	55862	Recker Bar Assembly - L.H.
8	849R	Roller	36	87151	Recker Bar Assembly - R.H.
9	849R	Roller	37	87152	Recker Bar Assembly - L.H.
10	849R	Roller	38	87153	Recker Bar Assembly - R.H.
11	72537	Pin - Drive Lock	39	71188	Pin - Spool
12	87327	Outer Pin 1.022 x 3/4 x 16 Ga.	40	72237	Kingpin Assembly - L.H.
13	87327	Inner Pin 1.022 x 3/4 x 16 Ga.	41	72238	Kingpin Assembly - R.H.
14	925P	Pin - Rod Support - 1/8" Dia. Gr. 5	42	72239	Pin - Lock 5/16" x 24 UNF
15	925P	Pin - Rod Support - 1/8" Dia. Gr. 5	43	72240	Pin - Lock 5/16" x 24 UNF
16	71301	Trailing Rod	44	72241	Pin - Lock 5/16" x 24 UNF
17	8002P	Cover Pin 3/32" x 3/4	45	72242	Pin - Lock 5/16" x 24 UNF
18	1447J	Grp. Handle - 2 1/2" x 1/4" x 20 x 1	46	72243	Pin - Lock 5/16" x 24 UNF
19	72915	Grp. Handle - 2 1/2" x 1/4" x 20 x 1	47	72244	Pin - Lock 5/16" x 24 UNF
20	72915	Grp. Handle - 2 1/2" x 1/4" x 20 x 1	48	72245	Pin - Lock 5/16" x 24 UNF
21	72915	Grp. Handle - 2 1/2" x 1/4" x 20 x 1	49	72246	Pin - Lock 5/16" x 24 UNF
22	72915	Grp. Handle - 2 1/2" x 1/4" x 20 x 1	50	72247	Pin - Lock 5/16" x 24 UNF
23	72915	Grp. Handle - 2 1/2" x 1/4" x 20 x 1	51	72248	Pin - Lock 5/16" x 24 UNF
24	72915	Grp. Handle - 2 1/2" x 1/4" x 20 x 1	52	72249	Pin - Lock 5/16" x 24 UNF
25	72915	Grp. Handle - 2 1/2" x 1/4" x 20 x 1	53	72250	Pin - Lock 5/16" x 24 UNF
26	2010P	Spacer Pin 1/8" x 1	54	72251	Pin - Lock 5/16" x 24 UNF
27	71515	Washer 15/32" x 3/4 x 16 Ga.	55	72252	Pin - Lock 5/16" x 24 UNF
28	1616P	Washer 15/32" x 3/4 x 16 Ga.	56	72253	Pin - Lock 5/16" x 24 UNF
29	1616P	Washer 15/32" x 3/4 x 16 Ga.	57	72254	Pin - Lock 5/16" x 24 UNF
30	1616P	Washer 15/32" x 3/4 x 16 Ga.	58	72255	Pin - Lock 5/16" x 24 UNF
31	1616P	Washer 15/32" x 3/4 x 16 Ga.	59	72256	Pin - Lock 5/16" x 24 UNF
32	1616P	Washer 15/32" x 3/4 x 16 Ga.	60	72257	Pin - Lock 5/16" x 24 UNF
33	1616P	Washer 15/32" x 3/4 x 16 Ga.	61	72258	Pin - Lock 5/16" x 24 UNF
34	1616P	Washer 15/32" x 3/4 x 16 Ga.	62	72259	Pin - Lock 5/16" x 24 UNF
35	1616P	Washer 15/32" x 3/4 x 16 Ga.	63	72260	Pin - Lock 5/16" x 24 UNF
36	1616P	Washer 15/32" x 3/4 x 16 Ga.	64	72261	Pin - Lock 5/16" x 24 UNF
37	1616P	Washer 15/32" x 3/4 x 16 Ga.	65	72262	Pin - Lock 5/16" x 24 UNF
38	1616P	Washer 15/32" x 3/4 x 16 Ga.	66	72263	Pin - Lock 5/16" x 24 UNF
39	1616P	Washer 15/32" x 3/4 x 16 Ga.	67	72264	Pin - Lock 5/16" x 24 UNF
40	1616P	Washer 15/32" x 3/4 x 16 Ga.	68	72265	Pin - Lock 5/16" x 24 UNF
41	1616P	Washer 15/32" x 3/4 x 16 Ga.	69	72266	Pin - Lock 5/16" x 24 UNF
42	1616P	Washer 15/32" x 3/4 x 16 Ga.	70	72267	Pin - Lock 5/16" x 24 UNF
43	1616P	Washer 15/32" x 3/4 x 16 Ga.	71	72268	Pin - Lock 5/16" x 24 UNF
44	1616P	Washer 15/32" x 3/4 x 16 Ga.	72	72269	Pin - Lock 5/16" x 24 UNF
45	1616P	Washer 15/32" x 3/4 x 16 Ga.	73	72270	Pin - Lock 5/16" x 24 UNF
46	1616P	Washer 15/32" x 3/4 x 16 Ga.	74	72271	Pin - Lock 5/16" x 24 UNF
47	1616P	Washer 15/32" x 3/4 x 16 Ga.	75	72272	Pin - Lock 5/16" x 24 UNF
48	1616P	Washer 15/32" x 3/4 x 16 Ga.	76	72273	Pin - Lock 5/16" x 24 UNF
49	1616P	Washer 15/32" x 3/4 x 16 Ga.	77	72274	Pin - Lock 5/16" x 24 UNF
50	1616P	Washer 15/32" x 3/4 x 16 Ga.	78	72275	Pin - Lock 5/16" x 24 UNF
51	1616P	Washer 15/32" x 3/4 x 16 Ga.	79	72276	Pin - Lock 5/16" x 24 UNF
52	1616P	Washer 15/32" x 3/4 x 16 Ga.	80	72277	Pin - Lock 5/16" x 24 UNF
53	1616P	Washer 15/32" x 3/4 x 16 Ga.	81	72278	Pin - Lock 5/16" x 24 UNF
54	1616P	Washer 15/32" x 3/4 x 16 Ga.	82	72279	Pin - Lock 5/16" x 24 UNF
55	1616P	Washer 15/32" x 3/4 x 16 Ga.	83	72280	Pin - Lock 5/16" x 24 UNF
56	1616P	Washer 15/32" x 3/4 x 16 Ga.	84	72281	Pin - Lock 5/16" x 24 UNF
57	1616P	Washer 15/32" x 3/4 x 16 Ga.	85	72282	Pin - Lock 5/16" x 24 UNF
58	1616P	Washer 15/32" x 3/4 x 16 Ga.	86	72283	Pin - Lock 5/16" x 24 UNF
59	1616P	Washer 15/32" x 3/4 x 16 Ga.	87	72284	Pin - Lock 5/16" x 24 UNF
60	1616P	Washer 15/32" x 3/4 x 16 Ga.	88	72285	Pin - Lock 5/16" x 24 UNF
61	1616P	Washer 15/32" x 3/4 x 16 Ga.	89	72286	Pin - Lock 5/16" x 24 UNF
62	1616P	Washer 15/32" x 3/4 x 16 Ga.	90	72287	Pin - Lock 5/16" x 24 UNF
63	1616P	Washer 15/32" x 3/4 x 16 Ga.	91	72288	Pin - Lock 5/16" x 24 UNF
64	1616P	Washer 15/32" x 3/4 x 16 Ga.	92	72289	Pin - Lock 5/16" x 24 UNF
65	1616P	Washer 15/32" x 3/4 x 16 Ga.	93	72290	Pin - Lock 5/16" x 24 UNF
66	1616P	Washer 15/32" x 3/4 x 16 Ga.	94	72291	Pin - Lock 5/16" x 24 UNF
67	1616P	Washer 15/32" x 3/4 x 16 Ga.	95	72292	Pin - Lock 5/16" x 24 UNF
68	1616P	Washer 15/32" x 3/4 x 16 Ga.	96	72293	Pin - Lock 5/16" x 24 UNF
69	1616P	Washer 15/32" x 3/4 x 16 Ga.	97	72294	Pin - Lock 5/16" x 24 UNF
70	1616P	Washer 15/32" x 3/4 x 16 Ga.	98	72295	Pin - Lock 5/16" x 24 UNF
71	1616P	Washer 15/32" x 3/4 x 16 Ga.	99	72296	Pin - Lock 5/16" x 24 UNF
72	1616P	Washer 15/32" x 3/4 x 16 Ga.	100	72297	Pin - Lock 5/16" x 24 UNF

* STANDARD HARDWARE—PURCHASE LOCALLY

REPAIR PARTS

STEERING AND WHEELS



36" RIDING LAWN TRACTOR—MODEL NUMBER L1219AR

REPAIR PARTS

STEERING AND WHEELS

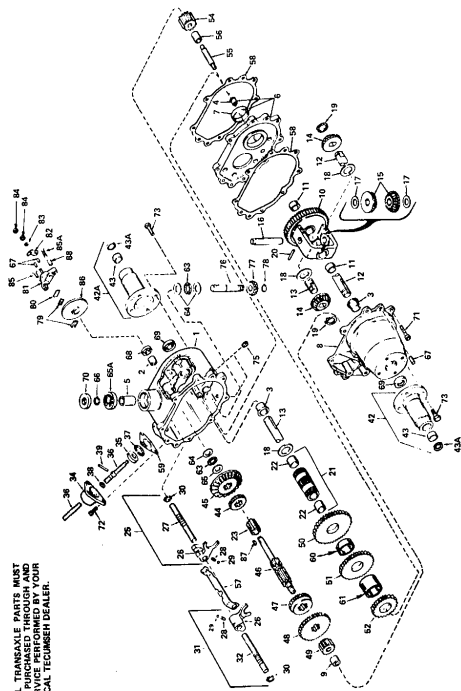
36" RIDING LAWN TRACTOR—MODEL NUMBER L1219AR

REF. NO.	PART NO.	DESCRIPTION	REF. NO.	PART NO.	DESCRIPTION
1	1114J	Steering Wheel Insert	29	86139	Valve Stem
2	506J	Steering Wheel	30	59192	Valve Cup
3	506J	Steering Wheel	31	794151A	Transaxle Assembly Model 143.68A (See Pages 24 and 25)
4	506J	Steering Wheel	32	794151A	Transaxle Assembly Model 143.68A (See Pages 24 and 25)
5	1554J	Steering Column	33	55862	Recker Bar Assembly - L.H.
6	1554J	Steering Column	34	877A81	Recker Bar Assembly - R.H.
7	1554J	Steering Column	35	877A81	Recker Bar Assembly - L.H.
8	74851	Recker Bar	36	1813P	Recker Bar Assembly - R.H.
9	74851	Recker Bar	37	87151	Recker Bar Assembly - L.H.
10	5237P	Spring Pin 3/16" x 1	38	87152	Recker Bar Assembly - R.H.
11	5237P	Spring Pin 3/16" x 1	39	71188	Pin - Spool
12	5237P	Spring Pin 3/16" x 1	40	72237	Kingpin Assembly - L.H.
13	5237P	Spring Pin 3/16" x 1	41	72238	Kingpin Assembly - R.H.
14	5237P	Spring Pin 3/16" x 1	42	72239	Pin - Lock 5/16" x 24 UNF
15	5237P	Spring Pin 3/16" x 1	43	72240	Pin - Lock 5/16" x 24 UNF
16	5237P	Spring Pin 3/16" x 1	44	72241	Pin - Lock 5/16" x 24 UNF
17	5237P	Spring Pin 3/16" x 1	45	72242	Pin - Lock 5/16" x 24 UNF
18	5237P	Spring Pin 3/16" x 1	46	72243	Pin - Lock 5/16" x 24 UNF
19	5237P	Spring Pin 3/16" x 1	47	72244	Pin - Lock 5/16" x 24 UNF
20	5237P	Spring Pin 3/16" x 1	48	72245	Pin - Lock 5/16" x 24 UNF
21	5237P	Spring Pin 3/16" x 1	49	72246	Pin - Lock 5/16" x 24 UNF
22	5237P	Spring Pin 3/16" x 1	50	72247	Pin - Lock 5/16" x 24 UNF
23	5237P	Spring Pin 3/16" x 1	51	72248	Pin - Lock 5/16" x 24 UNF
24	5237P	Spring Pin 3/16" x 1	52	72249	Pin - Lock 5/16" x 24 UNF
25	5237P	Spring Pin 3/16" x 1	53	72250	Pin - Lock 5/16" x 24 UNF
26	5237P	Spring Pin 3/16" x 1	54	72251	Pin - Lock 5/16" x 24 UNF
27	5237P	Spring Pin 3/16" x 1	55	72252	Pin - Lock 5/16" x 24 UNF
28	5237P	Spring Pin 3/16" x 1	56	72253	Pin - Lock 5/16" x 24 UNF
29	5237P	Spring Pin 3/16" x 1	57	72254	Pin - Lock 5/16" x 24 UNF
30	5237P	Spring Pin 3/16" x 1	58	72255	Pin - Lock 5/16" x 24 UNF
31	5237P	Spring Pin 3/16" x 1	59	72256	Pin - Lock 5/16" x 24 UNF
32	5237P	Spring Pin 3/16" x 1	60	72257	Pin - Lock 5/16" x 24 UNF
33	5237P	Spring Pin 3/16" x 1	61	72258	Pin - Lock 5/16" x 24 UNF
34	5237P	Spring Pin 3/16" x 1	62	72259	Pin - Lock 5/16" x 24 UNF
35	5237P	Spring Pin 3/16" x 1	63	72260	Pin - Lock 5/16" x 24 UNF
36	5237P	Spring Pin 3/16" x 1	64	72261	Pin - Lock 5/16" x 24 UNF
37	5237P	Spring Pin 3/16" x 1	65	72262	Pin - Lock 5/16" x 24 UNF
38	5237P	Spring Pin 3/16" x 1	66	72263	Pin - Lock 5/16" x 24 UNF
39	5237P	Spring Pin 3/16" x 1	67	72264	Pin - Lock 5/16" x 24 UNF
40	5237P	Spring Pin 3/16" x 1	68	72265	Pin - Lock 5/16" x 24 UNF
41	5237P	Spring Pin 3/16" x 1	69	72266	Pin - Lock 5/16" x 24 UNF
42	5237P	Spring Pin 3/16" x 1	70	72267	Pin - Lock 5/16" x 24 UNF
43	5237P	Spring Pin 3/16" x 1	71	72268	Pin - Lock 5/16" x 24 UNF
44	5237P	Spring Pin 3/16" x 1	72	72269	Pin - Lock 5/16" x 24 UNF
45	5237P	Spring Pin 3/16" x 1	73	72270	Pin - Lock 5/16" x 24 UNF
46	5237P	Spring Pin 3/16" x 1	74	72271	Pin - Lock 5/16" x 24 UNF
47	5237P	Spring Pin 3/16" x 1	75	72272	Pin - Lock 5/16" x 24 UNF
48	5237P	Spring Pin 3/16" x 1	76	72273	Pin - Lock 5/16" x 24 UNF
49	5237P	Spring Pin 3/16" x 1	77	72274	Pin - Lock 5/16" x 24 UNF
50	5237P	Spring Pin 3/16" x 1	78	72275	Pin - Lock 5/16" x 24 UNF
51	5237P	Spring Pin 3/16" x 1	79	72276	Pin - Lock 5/16" x 24 UNF
52	5237P	Spring Pin 3/16" x 1	80	72277	Pin - Lock 5/16" x 24 UNF
53	5237P	Spring Pin 3/16" x 1	81	72278	Pin - Lock 5/16" x 24 UNF
54	5237P	Spring Pin 3/16" x 1	82	72279	Pin - Lock 5/16" x 24 UNF
55	5237P	Spring Pin 3/16" x 1	83	72280	Pin - Lock 5/16" x 24 UNF
56	5237P	Spring Pin 3/16" x 1	84	72281	Pin - Lock 5/16" x 24 UNF
57	5237P	Spring Pin 3/16" x 1	85	72282	Pin - Lock 5/16" x 24 UNF
58	5237P	Spring Pin 3/16" x 1	86	72283	Pin - Lock 5/16" x 24 UNF
59	5237P	Spring Pin 3/16" x 1	87	72284	Pin - Lock 5/16" x 24 UNF
60	5237P	Spring Pin 3/16" x 1	88	72285	Pin - Lock 5/16" x 24 UNF
61	5237P	Spring Pin 3/16" x 1	89	72286	Pin - Lock 5/16" x 24 UNF
62	5237P	Spring Pin 3/16" x 1	90	72287	Pin - Lock 5/16" x 24 UNF
63	5237P	Spring Pin 3/16" x 1	91	72288	Pin - Lock 5/16" x 2

REPAIR PARTS

36" RIDING LAWN TRACTOR-MODEL NUMBER L1219A
TRANSEXLE-MODEL NUMBER 143.658A

ALL TRANSEXLE PARTS MUST BE PURCHASED THROUGH YOUR LOCAL TECUMSEH DEALER.



REPAIR PARTS

36" RIDING LAWN TRACTOR-MODEL NUMBER L1219A
TRANSEXLE-MODEL NUMBER 143.658A

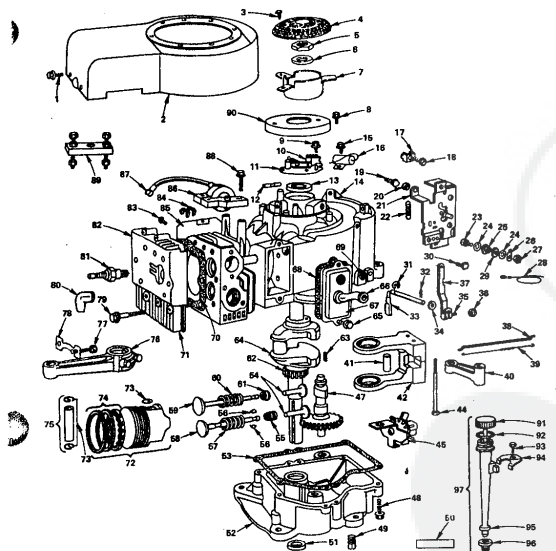
KEY NO.	PART NO.	DESCRIPTION
1	78491A	Complete Transaxle
2	78003	Case Assy., Transaxle (Inc. No's. 2, 3 & 9)
3	78008	Shaft, Input
4	78009	Bearing, Bronze
5	78001	Shaft, Output
6	78002	Bearing, Bronze
7	78005	Shaft, Reverse
8	78006	Bearing, Bronze
9	78007	Shaft, Reverse Idler
10	78004	Case Assy., Differential (Inc. No. 11)
11	78005	Case Assy., Differential (Inc. No. 11)
12	78006	Case Assy., Differential (Inc. No. 11)
13	78007	Case Assy., Differential (Inc. No. 11)
14	78008	Case Assy., Differential (Inc. No. 11)
15	78009	Case Assy., Differential (Inc. No. 11)
16	78010	Case Assy., Differential (Inc. No. 11)
17	78011	Case Assy., Differential (Inc. No. 11)
18	78012	Case Assy., Differential (Inc. No. 11)
19	78013	Case Assy., Differential (Inc. No. 11)
20	78014	Case Assy., Differential (Inc. No. 11)
21	78015	Case Assy., Differential (Inc. No. 11)
22	78016	Case Assy., Differential (Inc. No. 11)
23	78017	Case Assy., Differential (Inc. No. 11)
24	78018	Case Assy., Differential (Inc. No. 11)
25	78019	Case Assy., Differential (Inc. No. 11)
26	78020	Case Assy., Differential (Inc. No. 11)
27	78021	Case Assy., Differential (Inc. No. 11)
28	78022	Case Assy., Differential (Inc. No. 11)
29	78023	Case Assy., Differential (Inc. No. 11)
30	78024	Case Assy., Differential (Inc. No. 11)
31	78025	Case Assy., Differential (Inc. No. 11)
32	78026	Case Assy., Differential (Inc. No. 11)
33	78027	Case Assy., Differential (Inc. No. 11)
34	78028	Case Assy., Differential (Inc. No. 11)
35	78029	Case Assy., Differential (Inc. No. 11)
36	78030	Case Assy., Differential (Inc. No. 11)
37	78031	Case Assy., Differential (Inc. No. 11)
38	78032	Case Assy., Differential (Inc. No. 11)
39	78033	Case Assy., Differential (Inc. No. 11)
40	78034	Case Assy., Differential (Inc. No. 11)
41	78035	Case Assy., Differential (Inc. No. 11)
42	78036	Case Assy., Differential (Inc. No. 11)
43	78037	Case Assy., Differential (Inc. No. 11)
44	78038	Case Assy., Differential (Inc. No. 11)
45	78039	Case Assy., Differential (Inc. No. 11)
46	78040	Case Assy., Differential (Inc. No. 11)
47	78041	Case Assy., Differential (Inc. No. 11)
48	78042	Case Assy., Differential (Inc. No. 11)
49	78043	Case Assy., Differential (Inc. No. 11)
50	78044	Case Assy., Differential (Inc. No. 11)
51	78045	Case Assy., Differential (Inc. No. 11)
52	78046	Case Assy., Differential (Inc. No. 11)
53	78047	Case Assy., Differential (Inc. No. 11)
54	78048	Case Assy., Differential (Inc. No. 11)
55	78049	Case Assy., Differential (Inc. No. 11)
56	78050	Case Assy., Differential (Inc. No. 11)
57	78051	Case Assy., Differential (Inc. No. 11)
58	78052	Case Assy., Differential (Inc. No. 11)
59	78053	Case Assy., Differential (Inc. No. 11)
60	78054	Case Assy., Differential (Inc. No. 11)
61	78055	Case Assy., Differential (Inc. No. 11)
62	78056	Case Assy., Differential (Inc. No. 11)
63	78057	Case Assy., Differential (Inc. No. 11)
64	78058	Case Assy., Differential (Inc. No. 11)
65	78059	Case Assy., Differential (Inc. No. 11)
66	78060	Case Assy., Differential (Inc. No. 11)
67	78061	Case Assy., Differential (Inc. No. 11)
68	78062	Case Assy., Differential (Inc. No. 11)
69	78063	Case Assy., Differential (Inc. No. 11)
70	78064	Case Assy., Differential (Inc. No. 11)
71	78065	Case Assy., Differential (Inc. No. 11)
72	78066	Case Assy., Differential (Inc. No. 11)
73	78067	Case Assy., Differential (Inc. No. 11)
74	78068	Case Assy., Differential (Inc. No. 11)
75	78069	Case Assy., Differential (Inc. No. 11)
76	78070	Case Assy., Differential (Inc. No. 11)
77	78071	Case Assy., Differential (Inc. No. 11)
78	78072	Case Assy., Differential (Inc. No. 11)
79	78073	Case Assy., Differential (Inc. No. 11)
80	78074	Case Assy., Differential (Inc. No. 11)
81	78075	Case Assy., Differential (Inc. No. 11)
82	78076	Case Assy., Differential (Inc. No. 11)
83	78077	Case Assy., Differential (Inc. No. 11)
84	78078	Case Assy., Differential (Inc. No. 11)
85	78079	Case Assy., Differential (Inc. No. 11)
86	78080	Case Assy., Differential (Inc. No. 11)
87	78081	Case Assy., Differential (Inc. No. 11)
88	78082	Case Assy., Differential (Inc. No. 11)
89	78083	Case Assy., Differential (Inc. No. 11)
90	78084	Case Assy., Differential (Inc. No. 11)
91	78085	Case Assy., Differential (Inc. No. 11)
92	78086	Case Assy., Differential (Inc. No. 11)
93	78087	Case Assy., Differential (Inc. No. 11)
94	78088	Case Assy., Differential (Inc. No. 11)
95	78089	Case Assy., Differential (Inc. No. 11)
96	78090	Case Assy., Differential (Inc. No. 11)
97	78091	Case Assy., Differential (Inc. No. 11)

REPAIR PARTS

36" RIDING LAWN TRACTOR-MODEL NUMBER L1219A
BRIGGS & STRATTON 11 H.P. ENGINE-MODEL NO. 252707, TYPE NO. 0172-01

CYLINDER, CRANKSHAFT AND ENGINE BASE GROUP

ALL ENGINE PARTS MUST BE PURCHASED THROUGH AND SERVICE PERFORMED BY YOUR LOCAL BRIGGS AND STRATTON DEALER.



REPAIR PARTS

36" RIDING LAWN TRACTOR-MODEL NUMBER L1219A
BRIGGS & STRATTON 11 H.P. ENGINE-MODEL NO. 252707, TYPE NO. 0172-01

CYLINDER, CRANKSHAFT AND ENGINE BASE GROUP

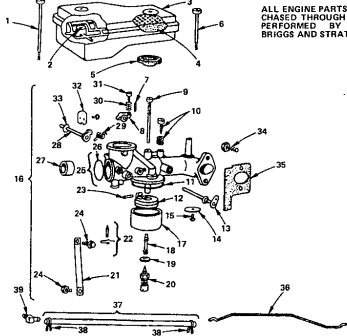
KEY NO.	PART NO.	DESCRIPTION	KEY NO.	PART NO.	DESCRIPTION	
1	93158	Screw - Blower Housing Mounting Sem	51	91975	Seal - Oil	
2	93159	Screw - Sem	52	39174	Gasket - Crankcase Cover - 105" Thick	
3	22352	Screen - Fuel Rotating	53	27068	Gasket - Crankcase Cover - 105" Thick	
4	82284	Nut - Hex	54	27018	Gasket - Crankcase Cover - 100" Thick	
5	22255	Washer - Spring	55	29250	Tapco Valve	
6	22256	Spring - Mounting	56	29250	Rotocool - Exhaust Valve	
7	93214	Screw - Sem	57	28828	Retainer - Exhaust Valve Rotocool	
8	93276	Screw - Breaker Adjusting Sem	58	28828	Spring - Exhaust Valve	
9	29019	Spring - Breaker Arm	59	28185	Valve - Intake	
10	391284	Breaker Assy. - Ignition (Inc. No. 10)	60	22156	Retainer - Intake Valve	
11	65104	Spring - Breaker Point	61	61760	Key - Flywheel	
12	391085	Seal - Oil	62	39154	Crankshaft	
13	391085	Cylinder Assy. (Inc. No. 13)	63	93394	Screw - Sem	
14	39172	Condenser	64	203100	Tube - Breather	
15	93042	Screw - Sem	65	391408	Breather Assembly	
16	22155	Clamp - Casing	66	27863	Gasket - Valve Cover	
17	93486	Screw - Sem	67	22165	Bushing - Gov. Crank (1/4" I.D.)	
18	93486	Screw - Control Bracket Mounting	68	271075	Gasket - Cylinder Head	
19	231039	Sleeve - Control Bracket Mounting	69	112000	Head - Cylinder	
20	390622	Plate - Gov. Control	70	391285	Piston Assy. - Standard (Inc. No's. 73 & 74)	
21	261305	Spring - Governor	71	391287	Piston Assy. - 010" O.S.	
22	81920	Screw - Terminal	72	391288	Piston Assy. - 020" O.S.	
23	92791	Washer - Lock - Shakeproof	73	391289	Lock - Piston Pin	
24	86554	Collar - Insulating	74	391780	Ring Set - Piston - Std.	
25	93722	Terminal - Spade	75	391782	Ring Set - Piston - 010" O.S.	
26	90676	Nut - Hex 8-32	76	391783	Ring Set - Piston - 020" O.S.	
27	391802	Wire - Ground	77	296691	Pin Assy. - Piston - Std. (Inc. No. 73)	
28	66958	Washer - Insulating	78	391785	Pin Assy. - Piston - 010" O.S.	
29	93572	Washer - E-Ring	79	391775	Rod Assy. - Connecting (Inc. 77 & 78)	
30	93287	Cotter - Hair Pin	80	92669	Screw - Conn. Rod	
31	231058	Crank - Governor (1/4" Dia.)	81	22259	Lock - Conn. Rod Screw	
32	222450	Soft - Governor Lever	82	222725	Screw - Cylinder Head "L" Long	
33	86513	Nut - Hex 10-24	83	92723	NOTE: 93781 Stud - Cylinder Head	
34	231082	Lever Assy. - Governor (for 1/4" Dia. Crank) (Inc. No's. 35 & 36)	84	66538	Elbow - Spark Plug	
35	391733	Lever Assy. - Governor (for 1/4" Dia. Crank) (Inc. No's. 35 & 36)	85	222725	Plug - Spark (1 1/2" High - 37 - 42 MM)	
36	261186	Link - Governor	86	221788	Terminal No. 221788	
37	291197	Spring - Governor Link	87	221788	Cover - Cylinder Head	
38	211875	Link - Counterweight	88	93163	Screw - Cylinder Shield Mfg. Sem	
39	282905	Counterweight Assy. (Inc. No. 41)	89	221744	Clip - Cylinder	
40	93275	Screw - Counterweight	90	39668	Armature Assy.	
41	391764	Oil Slinger, Gov. Gear & Bracket Assy.	91	18203	Terminal - Ignition Cable	
42	212795	Gear - Cam	92	222309	Screw - Armature Mounting Sem	
43	93585	Screw - Sump Mounting Sem	93	391841	Puller - Flywheel	
44	91084	Plug - Oil Drain	94	270820	Cover - Breaker Point	
45	393411	Gasket Set	95	93904	Cap and Discock - Oil Filter	
			96	22502	Seal - Filter Cap	
			97	270820	Seal - Filter Tube	
				98	93904	Seal - Filter Tube
				99	93904	Seal - Filter Tube
				100	93904	Seal - Filter Tube
				101	93904	Seal - Filter Tube
				102	93904	Seal - Filter Tube
				103	93904	Seal - Filter Tube
				104	93904	Seal - Filter Tube
				105	93904	Seal - Filter Tube
				106	93904	Seal - Filter Tube
				107	93904	Seal - Filter Tube
				108	93904	Seal - Filter Tube
				109	93904	Seal - Filter Tube
				110	93904	Seal - Filter Tube
				111	93904	Seal - Filter Tube
				112	93904	Seal - Filter Tube
				113	93904	Seal - Filter Tube
				114	93904	Seal - Filter Tube
				115	93904	Seal - Filter Tube
				116	93904	Seal - Filter Tube
				117	93904	Seal - Filter Tube
				118	93904	Seal - Filter Tube
				119	93904	Seal - Filter Tube
				120	93904	Seal - Filter Tube
				121	93904	Seal - Filter Tube
				122	93904	Seal - Filter Tube
				123	93904	Seal - Filter Tube
				124	93904	Seal - Filter Tube
				125	93904	Seal - Filter Tube
				126	93904	Seal - Filter Tube
				127	93904	Seal - Filter Tube
				128	93904	Seal - Filter Tube
				129	93904	Seal - Filter Tube
				130	93904	Seal - Filter Tube
				131	93904	Seal - Filter Tube
				132	93904	Seal - Filter Tube
				133	93904	Seal - Filter Tube
				134	93904	Seal - Filter Tube
				135	93904	Seal - Filter Tube
				136	93904	Seal - Filter Tube
				137	93904	Seal - Filter Tube
				138	93904	Seal - Filter Tube
				139	93904	Seal - Filter Tube
				140	93904	Seal - Filter Tube
				141	93904	Seal - Filter Tube
				142	93904	Seal - Filter Tube
				143	93904	Seal - Filter Tube
				144	93904	Seal - Filter Tube
				145	93904	Seal - Filter Tube
				146	93904	Seal - Filter Tube
				147	93904	Seal - Filter Tube
				148	93904	Seal - Filter Tube
				149	93904	Seal - Filter Tube
				150	93904	Seal - Filter Tube

*STANDARD HARDWARE-PURCHASE LOCALLY

REPAIR PARTS

36" RIDING LAWN TRACTOR-MODEL NUMBER L1219AR
BRIGGS & STRATTON 11 H.P. ENGINE-MODEL NO. 252707, TYPE NO. 0172-01

AIR CLEANER AND CARBURETOR



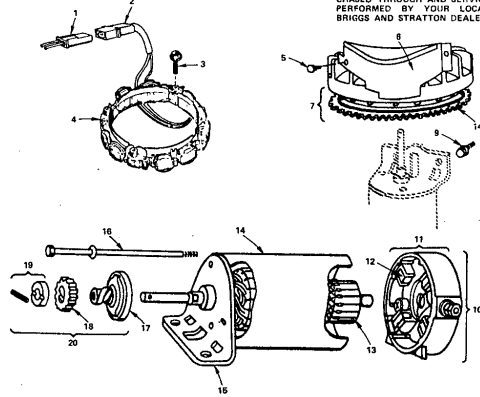
ALL ENGINE PARTS MUST BE PURCHASED THROUGH AND SERVICE PERFORMED BY YOUR LOCAL BRIGGS AND STRATTON DEALER.

KEY NO.	PART NO.	DESCRIPTION	KEY NO.	PART NO.	DESCRIPTION
1	93323	Screw - Air Cleaner	24	93572	Screw
2	280118	Support - Air Cleaner Element	25	391787	Body Ass'y. - Carburetor (Inc. No. 26)
3	391786	Cleaner Ass'y. - Air (Inc. No's. 2 & 4)	26	221997	*Plug - Wash
4	270843	Element - Air Cleaner	27	211960	Venturi - Carburetor
5	270853	Gasket - Air Cleaner	28	390894	Shaft & Lever - Choke
6	93322	Screw - Air Cleaner	29	261115	Spring - Choke Return
7	93043	Pin - Throttle Stop	30	26157	Spring - Throttle Adjustment
8	211712	Stop - Throttle	31	91520	Screw - Machine, Flat, Hd. 8 - 32 x 5/8"
9	296740	Nozzle - Carburetor	32	222010	Valve Choke
10	292681	*Valve Ass'y. - Carburetor Idle	33	270382	Washer - Choke Shaft
11	270811	*Gasket - Float Bowl	34	93321	Screw - Carburetor Mtg.
12	299707	Float - Carburetor	35	270872	*Gasket - Carburetor Mtg.
13	391512	Shaft & Lever - Throttle	36	291224	Link - Choke
14	222858	Valve - Throttle	37	296004	Pipe - Fuel (Inc. No. 38)
15	93499	Screw - Throttle & Choke Valve Mtg.	38	93053	Clamp - Fuel Pipe
16	393410	Carburetor Ass'y. (Choke-A-Matic) (Inc. No's. 7 thru 23)	39	67218	Connector - Fuel Pipe
17	221995	Bowl - Float			
18	230652	*Screw - Nozzle			*INCLUDED IN CARBURETOR OVERHAUL KIT - PART NO. 299852
19	222014	*Washer - Float Bowl			*INCLUDED IN GASKET SET - PART NO. 393411
20	391233	*Valve - Needle			
21	222511	Bracket - Carburetor			
22	290098	*Valve - Fuel Inlet			
23	230096	*Pin - Float Hinge			

REPAIR PARTS

36" RIDING LAWN TRACTOR-MODEL NUMBER L1219AR
BRIGGS & STRATTON 11 H.P. ENGINE-MODEL NO. 252707, TYPE NO. 0172-01

ALTERNATOR AND STARTER MOTOR GROUP

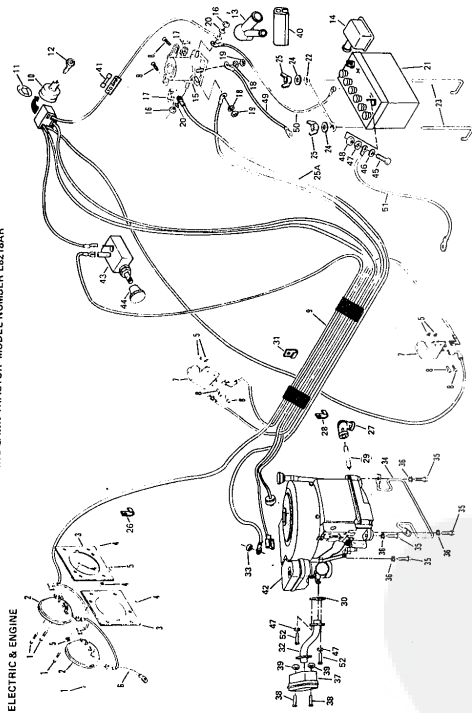


ALL ENGINE PARTS MUST BE PURCHASED THROUGH AND SERVICE PERFORMED BY YOUR LOCAL BRIGGS AND STRATTON DEALER.

KEY NO.	PART NO.	DESCRIPTION	KEY NO.	PART NO.	DESCRIPTION
1	393362	Alt. Harness Assembly	10	392749	Motor and Drive Ass'y. (12 Volt) (Inc. No's. 11 thru 20)
2	393456	Diode and Conn. Assembly	11	390846	End Cap Ass'y. Commutator (Inc. No. 12)
3	93621	Screw - Sem	12	391705	Brush Ass'y.
4	394474	Stator - Alternator	13	390233	Cover and Shield - Starter
5	53410	Screw - Sem	14	292744	Flywheel & Ring Gear Ass'y. - Magneto (Inc. No. 14)
6	390233	Cover and Shield - Starter	15	391705	Thru Bolt Ass'y. Drive
7	391698	Flywheel & Ring Gear Ass'y. - Magneto (Inc. No. 14)	16	391705	Thru Bolt Ass'y. Drive
8	393134	Gear - Ring (Inc. Mounting Parts)	17	391135	Catch Ass'y.
9	93623	Screw - Sem	18	280104	Gear
			19	391462	Retainer & Pin
			20	391461	Drive Ass'y. (Inc. No's. 17, 18 & 19)

REPAIR PARTS

ELECTRIC & ENGINE



REPAIR PARTS

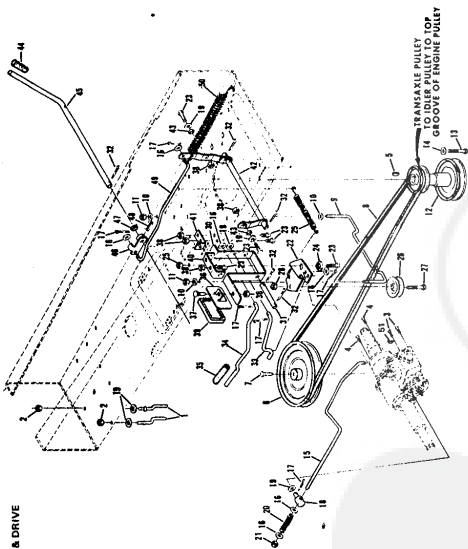
ELECTRIC & ENGINE

KEY NO.	PART NO.	DESCRIPTION	KEY NO.	PART NO.	DESCRIPTION
1	65421	Screw, Machine Truss Head	27	4017P	Sd. Elbow 90° 3/8 - 18 NPT
2	6452R	Washer, 3/16 x 1	28	3245R	Insulated Clip
3	23005	Headlight	29	27144	Exhaust Gasket
4	39119	Headlight Support - 24	30	27144	Exhaust Gasket
5	661P	Nut, Lock No. 10 - 24	31	93714	Exhaust Tube
6	39119	Headlight Support - 24	32	59480	Washer, 3/16 x 1
7	7756R	Safety Switch	33	59480	Washer, 3/16 x 1
8	3359P	Screw, Machine Phillips Head	34	5968P	*Washer, Lock 3/8
9	478	Wire Harness	35	1004P	Washer, Lock 3/8
10	8557R	Terminal Identifier	36	2715	Marbler
11	8557R	Terminal Identifier	37	2715	Marbler
12	2522H	Key-Set (Over - Chalk)	38	5492	Nut, Lock 5/16 - 18
13	2522H	Key-Set (Over - Chalk)	39	5492	Nut, Lock 5/16 - 18
14	2522H	Key-Set (Over - Chalk)	40	5347R	Flare - 20 Arms
15	2522H	Key-Set (Over - Chalk)	41	191707	Engine - Briggs and Stratton 8 H.P. (Inc. Paper 20 thru 28)
16	2522H	Key-Set (Over - Chalk)	42	7738R	Light Switch
17	608B1	Nut, Speed No. 10 - 24	43	1506P	*Washer 9/32 x 5/8 x 1/8 Gh.
18	5439P	*Nut, Hex No. 10 - 32	44	391135	*Hex Nut 1/4 - 20
19	5439P	*Nut, Hex No. 10 - 32	45	391135	*Hex Nut 1/4 - 20
20	2282P	Battery Rod	46	8039P	*Hex Nut 1/4 - 20
21	2282P	Battery Rod	47	8039P	*Hex Nut 1/4 - 20
22	2282P	Battery Rod	48	8039P	*Hex Nut 1/4 - 20
23	2282P	Battery Rod	49	8039P	*Hex Nut 1/4 - 20
24	2282P	Battery Rod	50	8039P	*Hex Nut 1/4 - 20
25	2282P	Battery Rod	51	8039P	*Hex Nut 1/4 - 20
26	2282P	Battery Rod	52	8039P	*Hex Nut 1/4 - 20
			53	8039P	*Hex Nut 1/4 - 20
			54	8039P	*Hex Nut 1/4 - 20
			55	8039P	*Hex Nut 1/4 - 20
			56	8039P	*Hex Nut 1/4 - 20
			57	8039P	*Hex Nut 1/4 - 20
			58	8039P	*Hex Nut 1/4 - 20
			59	8039P	*Hex Nut 1/4 - 20
			60	8039P	*Hex Nut 1/4 - 20
			61	8039P	*Hex Nut 1/4 - 20
			62	8039P	*Hex Nut 1/4 - 20
			63	8039P	*Hex Nut 1/4 - 20
			64	8039P	*Hex Nut 1/4 - 20
			65	8039P	*Hex Nut 1/4 - 20
			66	8039P	*Hex Nut 1/4 - 20
			67	8039P	*Hex Nut 1/4 - 20
			68	8039P	*Hex Nut 1/4 - 20
			69	8039P	*Hex Nut 1/4 - 20
			70	8039P	*Hex Nut 1/4 - 20
			71	8039P	*Hex Nut 1/4 - 20
			72	8039P	*Hex Nut 1/4 - 20
			73	8039P	*Hex Nut 1/4 - 20
			74	8039P	*Hex Nut 1/4 - 20
			75	8039P	*Hex Nut 1/4 - 20
			76	8039P	*Hex Nut 1/4 - 20
			77	8039P	*Hex Nut 1/4 - 20
			78	8039P	*Hex Nut 1/4 - 20
			79	8039P	*Hex Nut 1/4 - 20
			80	8039P	*Hex Nut 1/4 - 20
			81	8039P	*Hex Nut 1/4 - 20
			82	8039P	*Hex Nut 1/4 - 20
			83	8039P	*Hex Nut 1/4 - 20
			84	8039P	*Hex Nut 1/4 - 20
			85	8039P	*Hex Nut 1/4 - 20
			86	8039P	*Hex Nut 1/4 - 20
			87	8039P	*Hex Nut 1/4 - 20
			88	8039P	*Hex Nut 1/4 - 20
			89	8039P	*Hex Nut 1/4 - 20
			90	8039P	*Hex Nut 1/4 - 20
			91	8039P	*Hex Nut 1/4 - 20
			92	8039P	*Hex Nut 1/4 - 20
			93	8039P	*Hex Nut 1/4 - 20
			94	8039P	*Hex Nut 1/4 - 20
			95	8039P	*Hex Nut 1/4 - 20
			96	8039P	*Hex Nut 1/4 - 20
			97	8039P	*Hex Nut 1/4 - 20
			98	8039P	*Hex Nut 1/4 - 20
			99	8039P	*Hex Nut 1/4 - 20
			100	8039P	*Hex Nut 1/4 - 20

*STANDARD HARDWARE PURCHASE LOCALLY

REPAIR PARTS

36" RIDING LAWN TRACTOR—MODEL NUMBER LZ21BAR
CLUTCH BRAKE & DRIVE



REPAIR PARTS

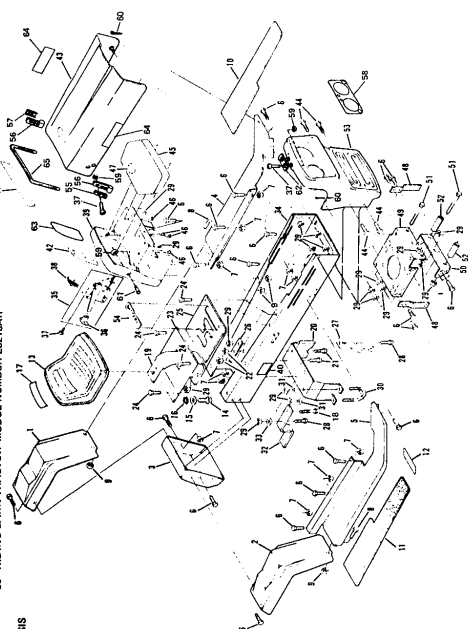
36" RIDING LAWN TRACTOR—MODEL NUMBER LZ21BAR
CLUTCH BRAKE & DRIVE

KEY PART NO.	DESCRIPTION	KEY PART NO.	DESCRIPTION
1	Roller Guide	23	*Nut, Hex Head 5/16 - 18 x 3/4
2	*Nut, Lock 5/16 - 18	24	Brake Pin
3	Screw, Hex Head w/Washer	25	*Nut, Lock 5/16 - 18
4	Screw, Hex Head w/Washer	26	*Nut, Hex Head 3/8 - 16 x 1 - 1/2
5	*Key, Woodruff No. 6	27	*Spring, 1.50" Dia. x 1.50" High
6	*Pulley, Transaxle	28	*Spring, 1.50" Dia. x 1.50" High
7	*Washer, 3/8 x .750 x .063	29	*Spring, 1.50" Dia. x 1.50" High
8	*Washer, 3/8 x .750 x .063	30	*Spring, 1.50" Dia. x 1.50" High
9	*Washer, 3/8 x .750 x .063	31	*Spring, 1.50" Dia. x 1.50" High
10	*Washer, 3/8 x .750 x .063	32	*Spring, 1.50" Dia. x 1.50" High
11	*Washer, 3/8 x .750 x .063	33	*Spring, 1.50" Dia. x 1.50" High
12	*Washer, 3/8 x .750 x .063	34	*Spring, 1.50" Dia. x 1.50" High
13	*Washer, 3/8 x .750 x .063	35	*Spring, 1.50" Dia. x 1.50" High
14	*Washer, 3/8 x .750 x .063	36	*Spring, 1.50" Dia. x 1.50" High
15	*Washer, 3/8 x .750 x .063	37	*Spring, 1.50" Dia. x 1.50" High
16	*Washer, 3/8 x .750 x .063	38	*Spring, 1.50" Dia. x 1.50" High
17	*Washer, 3/8 x .750 x .063	39	*Spring, 1.50" Dia. x 1.50" High
18	*Washer, 3/8 x .750 x .063	40	*Spring, 1.50" Dia. x 1.50" High
19	*Washer, 3/8 x .750 x .063	41	*Spring, 1.50" Dia. x 1.50" High
20	*Washer, 3/8 x .750 x .063	42	*Spring, 1.50" Dia. x 1.50" High
21	*Washer, 3/8 x .750 x .063	43	*Spring, 1.50" Dia. x 1.50" High
22	*Washer, 3/8 x .750 x .063	44	*Spring, 1.50" Dia. x 1.50" High

*STANDARD HARDWARE—PURCHASE LOCALLY

REPAIR PARTS

36" RIDING LAWN TRACTOR—MODEL NUMBER LZ21BAR
CHASSIS



REPAIR PARTS

36" RIDING LAWN TRACTOR—MODEL NUMBER LZ21BAR
CHASSIS

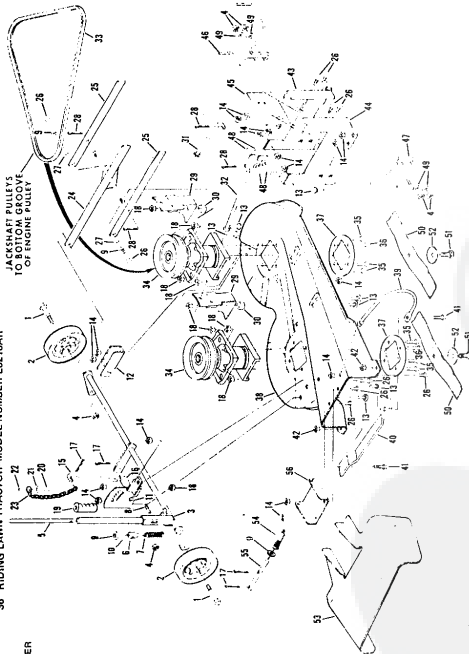
KEY PART NO.	DESCRIPTION	KEY PART NO.	DESCRIPTION
1	*Frame, L.H.	35	*Theft-Resistant Cover (H.C.)
2	*Frame, R.H.	36	*Theft-Resistant Cover (H.C.)
3	*Front Seat, L.H.	37	*Theft-Resistant Cover (H.C.)
4	*Front Seat, R.H.	38	*Theft-Resistant Cover (H.C.)
5	*Foot Rest, R.H.	39	*Theft-Resistant Cover (H.C.)
6	*Foot Rest, L.H.	40	*Theft-Resistant Cover (H.C.)
7	*Nut, Lock 5/16 - 18	41	*Theft-Resistant Cover (H.C.)
8	*Nut, Lock 5/16 - 18	42	*Theft-Resistant Cover (H.C.)
9	*Nut, Lock 5/16 - 18	43	*Theft-Resistant Cover (H.C.)
10	*Nut, Lock 5/16 - 18	44	*Theft-Resistant Cover (H.C.)
11	*Nut, Lock 5/16 - 18	45	*Theft-Resistant Cover (H.C.)
12	*Nut, Lock 5/16 - 18	46	*Theft-Resistant Cover (H.C.)
13	*Nut, Lock 5/16 - 18	47	*Theft-Resistant Cover (H.C.)
14	*Nut, Lock 5/16 - 18	48	*Theft-Resistant Cover (H.C.)
15	*Nut, Lock 5/16 - 18	49	*Theft-Resistant Cover (H.C.)
16	*Nut, Lock 5/16 - 18	50	*Theft-Resistant Cover (H.C.)
17	*Nut, Lock 5/16 - 18	51	*Theft-Resistant Cover (H.C.)
18	*Nut, Lock 5/16 - 18	52	*Theft-Resistant Cover (H.C.)
19	*Nut, Lock 5/16 - 18	53	*Theft-Resistant Cover (H.C.)
20	*Nut, Lock 5/16 - 18	54	*Theft-Resistant Cover (H.C.)
21	*Nut, Lock 5/16 - 18	55	*Theft-Resistant Cover (H.C.)
22	*Nut, Lock 5/16 - 18	56	*Theft-Resistant Cover (H.C.)
23	*Nut, Lock 5/16 - 18	57	*Theft-Resistant Cover (H.C.)
24	*Nut, Lock 5/16 - 18	58	*Theft-Resistant Cover (H.C.)
25	*Nut, Lock 5/16 - 18	59	*Theft-Resistant Cover (H.C.)
26	*Nut, Lock 5/16 - 18	60	*Theft-Resistant Cover (H.C.)
27	*Nut, Lock 5/16 - 18	61	*Theft-Resistant Cover (H.C.)
28	*Nut, Lock 5/16 - 18	62	*Theft-Resistant Cover (H.C.)
29	*Nut, Lock 5/16 - 18	63	*Theft-Resistant Cover (H.C.)
30	*Nut, Lock 5/16 - 18	64	*Theft-Resistant Cover (H.C.)
31	*Nut, Lock 5/16 - 18	65	*Theft-Resistant Cover (H.C.)
32	*Nut, Lock 5/16 - 18	66	*Theft-Resistant Cover (H.C.)
33	*Nut, Lock 5/16 - 18	67	*Theft-Resistant Cover (H.C.)
34	*Nut, Lock 5/16 - 18	68	*Theft-Resistant Cover (H.C.)

*STANDARD HARDWARE—PURCHASE LOCALLY

REPAIR PARTS

36" RIDING LAWN TRACTOR—MODEL NUMBER LB21BAR

MOWER



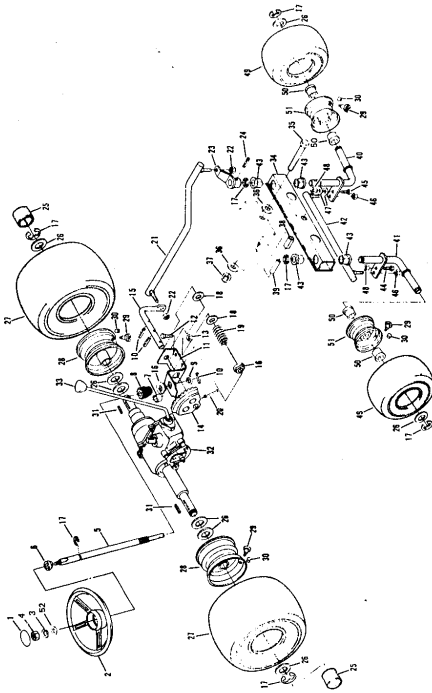
KEY NO.	PART NO.	DESCRIPTION
1	6053R	Axle Bolt
2	71071	Bracket
3	71071	Front Rod Assembly
4	694A1	Nut, Lock 3/8 - 16
5	71071	Pin
6	71071	Pulley
7	44990	Roller
8	5999R	Washer, .238 x .753 x .053
9	71071	Washer, .238 x .753 x .053
10	72917	Spring Pin - Slotted 1/4 x 1 - 1/2
11	72917	Cladent Assembly
12	597	Washer, .238 x .753 x .053
13	597	Washer, .238 x .753 x .053
14	6710R	Blade
15	71071	Nut, Lock 5/16 - 18
16	71071	Nut, Lock 5/16 - 18
17	71071	Nut, Lock 3/8 - 16
18	71071	Nut, Lock 3/8 - 16
19	71071	Pin
20	597	Washer, .238 x .753 x .053
21	597	Washer, .238 x .753 x .053
22	74014	Washer, .238 x .753 x .053
23	74014	Washer, .238 x .753 x .053
24	71071	Nut, Lock 5/16 - 18
25	71071	Nut, Lock 5/16 - 18
26	71071	Nut, Lock 5/16 - 18
27	71071	Nut, Lock 5/16 - 18
28	2909P	Center Pin 1/8 x 1

*STANDARD HARDWARE—PURCHASE LOCALLY

REPAIR PARTS

36" RIDING LAWN TRACTOR—MODEL NUMBER LB21BAR

STEERING & WHEELS

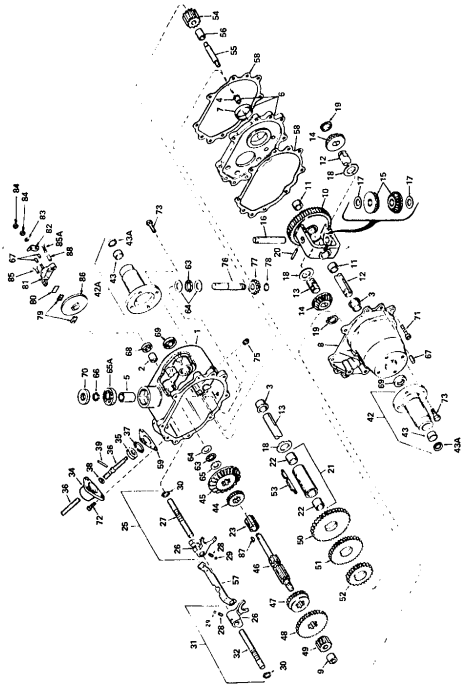


KEY NO.	PART NO.	DESCRIPTION
1	6053R	Axle Bolt
2	6053R	Axle Bolt
3	1000P	Steering Wheel
4	6053R	Axle Bolt
5	74014	Washer, .405 x .850 x .172
6	74014	Washer, .405 x .850 x .172
7	74014	Washer, .405 x .850 x .172
8	74014	Washer, .405 x .850 x .172
9	74014	Washer, .405 x .850 x .172
10	6053R	Axle Bolt
11	6053R	Axle Bolt
12	6053R	Axle Bolt
13	6053R	Axle Bolt
14	6053R	Axle Bolt
15	6053R	Axle Bolt
16	6053R	Axle Bolt
17	6053R	Axle Bolt
18	6053R	Axle Bolt
19	6053R	Axle Bolt
20	6053R	Axle Bolt
21	6053R	Axle Bolt
22	6053R	Axle Bolt
23	6053R	Axle Bolt
24	6053R	Axle Bolt
25	6053R	Axle Bolt
26	6053R	Axle Bolt
27	6053R	Axle Bolt
28	6053R	Axle Bolt

*STANDARD HARDWARE—PURCHASE LOCALLY

REPAIR PARTS

36" RIDING LAWN TRACTOR-MODEL NUMBER L8218AR
TRANSAKLE NO. 784191-MODEL NUMBER 143.658



REPAIR PARTS

36" RIDING LAWN TRACTOR-MODEL NUMBER L8218AR
TRANSAKLE NO. 784191-MODEL NUMBER 143.658

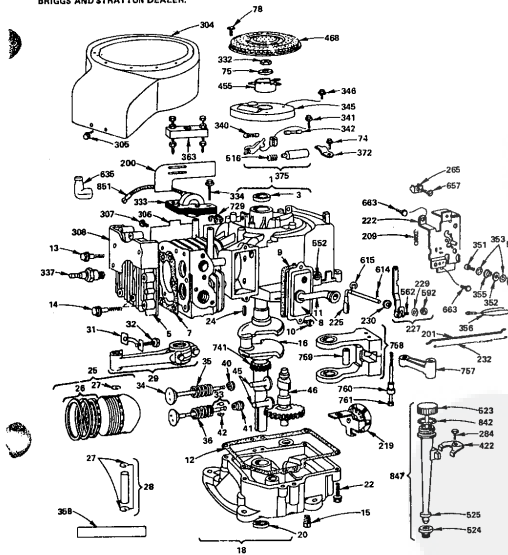
KEY NO.	PART NO.	DESCRIPTION	KEY NO.	PART NO.	DESCRIPTION
1	392005	Cylinder Assembly (Inc. Key No. 3)	227	391733	Lever Assy. - Governor (For 1/4" Dia. Crank)
2	391726	Bushing - Cylinder	229	220680	Washer - Flat
3	294606	Seal - Oil	230	224450	Washer - Gov. Lever (1 1/4" I.D.)
4	716224	Gasket - Valve Cover	232	260584	Spring - Governor Link
5	716230	Gasket - Valve Cover	265	221535	Clamp - Casing
6	391406	Breaker Tube Assembly	298	93084	Screw - Clamp Mtg.
7	278285	Head - Cylinder	304	391379	Housing - Blower
8	278033	Gasket - Valve Cover	305	222830	Screw - Blower Housing Mounting Sem
9	833094	Screw - Sem	307	93153	Shield - Cylinder
10	280059	Tube - Breaker	308	229236	Screw - Cylinder Shield Mtg. Sem
11	277550	*Gasket - Crankcase Cover - 1/84"	322	93284	Nut - Flywheel
12	278776	Thick	333	239398	Armature Assembly
13	278777	*Gasket - Crankcase Cover - .005"	334	93381	Screw - Armature Mounting Sem
14	278778	Thin	337	233918	Plug - Spark (1 - 1/2" High - 3/8 M.M. Resistor)
15	932211	*Gasket - Crankcase Cover - .008"	340	20218	NOTE: Ignition Cable Terminal No. 221798
16	93723	Screw - Cylinder Head (3" Long)	341	93381	Screw - Breaker Arm
17	91034	Plug - Oil Drain	342	65704	Plunger - Breaker Point
18	391752	Crankshaft	345	221117	Cover - Breaker Point
19	298516	Sump - Oil (Inc. Key No's. 12 & 20)	346	93014	Screw - Sem
20	298423	Seal - Oil	351	93755	Screw - Terminal
21	83585	Screw - Sump	352	69068	Washer - Insulating
22	81760	Key - Flywheel	353	93791	Washer - Lock Shakerproof
23	391673	Piston Assy. - Std.	354	96576	Nut - Hex 8 - 32
24	391674	Piston Assy. - .010" O.S.	355	95554	Collar - Insulating
25	391675	Piston Assy. - .020" O.S.	356	299500	Wire - Ground
26	391676	Piston Assy. - .030" O.S.	358	299577	Gasket Set
27	391677	Piston Assy. - .040" O.S.	363	19165	Pusher - Flywheel
28	391678	Piston Assy. - .050" O.S.	372	220477	Clamp - Condenser
29	391679	Piston Assy. - .060" O.S.	375	298428	Breaker Points and Condenser Set
30	391680	Piston Assy. - .070" O.S.	422	NOTE: 299081 Ignition Kit Includes 294626 Point Set, 65704 Plunger, 81760 Key, Flywheel	
31	209743	Ring Set - Piston - Std. Chrome	455	227561	Cup - Screen Mounting
32	391570	Ring Set - Piston - .010" O.S.	468	227562	Screen - Flush Rotating
33	391571	Ring Set - Piston - .020" O.S.	520	93722	Terminal Spade
34	391572	Ring Set - Piston - .030" O.S.	523	391840	Cap and O-Ring - Oil Filter
35	68546	Lock - Piston Pin	524	68838	Seal - Filler Tube
36	205840	Pin Assembly - Piston - Standard	525	93013	Tube - Oil Filter
37	285841	Pin Assembly - Piston - .005" O.S.	527	231055	Bushing - Gov. Crank (1 1/4" I.D.)
38	390402	Rod Assy. - Connecting	528	231082	Nut - Hex 10 - 24
39	NOTE: For Connecting Rod with .020" Underize Crankpin Bore - Order No. 390773		529	93306	Cotter - Hair Pin
40	221114	Lock - Connecting Rod Screw	531	93307	Retainer - E-Ring
41	221115	Screw - Connecting Rod	535	66538	Elbow - Spark Plug
42	390419	Valve - Exhaust	537	93490	Screw - Sem
43	281055	Valve - Intake	539	93572	Screw
44	69506	Spring - Intake Valve	541	22190	Clip - Wire
45	282760	Rotocool - Exhaust Valve	542	281195	Gear - Timing
46	282761	Rotocool - Intake Valve	543	211875	Link - Counterweight
47	282762	Retainer - Intake Valve	544	390172	Counterweight Assy.
48	282763	Retainer - Exhaust Valve	545	288909	Pin - Counterweight
49	282764	Retainer - Exhaust Valve Rotocool	546	230840	Spacer - Counterweight
50	211689	Gear - Cam	547	93874	Screw - Counterweight
51	93042	Screw - Sems	548	270290	Seal - Filler Cap
52	220685	Washer - Spring	549	392066	Filler Group - Oil
53	93039	Screw - Sem	551	221798	Terminal - Ignition Cable
54	221760	Guide - Air	552	221798	Terminal - Ignition Cable
55	260711	Link - Governor	553	392066	Filler Group - Oil
56	261308	Spring - Governor	554	221798	Terminal - Ignition Cable
57	392718	Oil Slinger - Gov. Gear and Bracket Assembly	555	392066	Filler Group - Oil
58	390662	Plate - Gov. Control	556	221798	Terminal - Ignition Cable
59	231098	Crank - Gov. (1 1/4" Dia.)	557	392066	Filler Group - Oil
60			558	221798	Terminal - Ignition Cable
61			559	392066	Filler Group - Oil
62			560	221798	Terminal - Ignition Cable
63			561	392066	Filler Group - Oil
64			562	221798	Terminal - Ignition Cable
65			563	392066	Filler Group - Oil
66			564	221798	Terminal - Ignition Cable
67			565	392066	Filler Group - Oil
68			566	221798	Terminal - Ignition Cable
69			567	392066	Filler Group - Oil
70			568	221798	Terminal - Ignition Cable
71			569	392066	Filler Group - Oil
72			570	221798	Terminal - Ignition Cable
73			571	392066	Filler Group - Oil
74			572	221798	Terminal - Ignition Cable
75			573	392066	Filler Group - Oil
76			574	221798	Terminal - Ignition Cable
77			575	392066	Filler Group - Oil
78			576	221798	Terminal - Ignition Cable
79			577	392066	Filler Group - Oil
80			578	221798	Terminal - Ignition Cable
81			579	392066	Filler Group - Oil
82			580	221798	Terminal - Ignition Cable
83			581	392066	Filler Group - Oil
84			582	221798	Terminal - Ignition Cable
85			583	392066	Filler Group - Oil
86			584	221798	Terminal - Ignition Cable
87			585	392066	Filler Group - Oil
88			586	221798	Terminal - Ignition Cable
89			587	392066	Filler Group - Oil
90			588	221798	Terminal - Ignition Cable
91			589	392066	Filler Group - Oil
92			590	221798	Terminal - Ignition Cable
93			591	392066	Filler Group - Oil
94			592	221798	Terminal - Ignition Cable
95			593	392066	Filler Group - Oil
96			594	221798	Terminal - Ignition Cable
97			595	392066	Filler Group - Oil
98			596	221798	Terminal - Ignition Cable
99			597	392066	Filler Group - Oil
100			598	221798	Terminal - Ignition Cable

REPAIR PARTS

36" RIDING LAWN TRACTOR-MODEL NUMBER L8218AR
BRIGGS & STRATTON 8 H.P. ENGINE-MODEL NO. 191707, TYPE NO. 5627-01

CYLINDER, CRANKSHAFT AND ENGINE BASE GROUP

ALL ENGINE PARTS MUST BE PURCHASED THROUGH AND SERVICE PERFORMED BY YOUR LOCAL BRIGGS AND STRATTON DEALER.



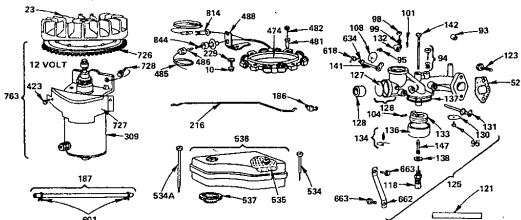
REPAIR PARTS

36" RIDING LAWN TRACTOR-MODEL NUMBER L8218AR
BRIGGS & STRATTON 8 H.P. ENGINE-MODEL NO. 191707, TYPE NO. 5627-01

KEY NO.	PART NO.	DESCRIPTION	KEY NO.	PART NO.	DESCRIPTION
1	392005	Cylinder Assembly (Inc. Key No. 3)	227	391733	Lever Assy. - Governor (For 1/4" Dia. Crank)
2	391726	Bushing - Cylinder	229	220680	Washer - Flat
3	294606	Seal - Oil	230	224450	Washer - Gov. Lever (1 1/4" I.D.)
4	716224	Gasket - Valve Cover	232	260584	Spring - Governor Link
5	716230	Gasket - Valve Cover	265	221535	Clamp - Casing
6	391406	Breaker Tube Assembly	298	93084	Screw - Clamp Mtg.
7	278285	Head - Cylinder	304	391379	Housing - Blower
8	278033	Gasket - Valve Cover	305	222830	Screw - Blower Housing Mounting Sem
9	833094	Screw - Sem	307	93153	Shield - Cylinder
10	280059	Tube - Breaker	308	229236	Screw - Cylinder Shield Mtg. Sem
11	277550	*Gasket - Crankcase Cover - 1/84"	322	93284	Nut - Flywheel
12	278776	Thick	333	239398	Armature Assembly
13	278777	*Gasket - Crankcase Cover - .005"	334	93381	Screw - Armature Mounting Sem
14	278778	Thin	337	233918	Plug - Spark (1 - 1/2" High - 3/8 M.M. Resistor)
15	932211	*Gasket - Crankcase Cover - .008"	340	20218	NOTE: Ignition Cable Terminal No. 221798
16	93723	Screw - Cylinder Head (3" Long)	341	93381	Screw - Breaker Arm
17	91034	Plug - Oil Drain	342	65704	Plunger - Breaker Point
18	391752	Crankshaft	345	221117	Cover - Breaker Point
19	298516	Sump - Oil (Inc. Key No's. 12 & 20)	346	93014	Screw - Sem
20	298423	Seal - Oil	351	93755	Screw - Terminal
21	83585	Screw - Sump	352	69068	Washer - Insulating
22	81760	Key - Flywheel	353	93791	Washer - Lock Shakerproof
23	391673	Piston Assy. - Std.	354	96576	Nut - Hex 8 - 32
24	391674	Piston Assy. - .010" O.S.	355	95554	Collar - Insulating
25	391675	Piston Assy. - .020" O.S.	356	299500	Wire - Ground
26	391676	Piston Assy. - .030" O.S.	358	299577	Gasket Set
27	391677	Piston Assy. - .040" O.S.	363	19165	Pusher - Flywheel
28	391678	Piston Assy. - .050" O.S.	372	220477	Clamp - Condenser
29	391679	Piston Assy. - .060" O.S.	375	298428	Breaker Points and Condenser Set
30	391680	Piston Assy. - .070" O.S.	422	NOTE: 299081 Ignition Kit Includes 294626 Point Set, 65704 Plunger, 81760 Key, Flywheel	
31	209743	Ring Set - Piston - Std. Chrome	455	227561	Cup - Screen Mounting
32	391570	Ring Set - Piston - .010" O.S.	468	227562	Screen - Flush Rotating
33	391571	Ring Set - Piston - .020" O.S.	520	93722	Terminal Spade
34	391572	Ring Set - Piston - .030" O.S.	523	391840	Cap and O-Ring - Oil Filter
35	68546	Lock - Piston Pin	524	68838	Seal - Filler Tube
36	205840	Pin Assembly - Piston - Standard	525	93013	Tube - Oil Filter
37	285841	Pin Assembly - Piston - .005" O.S.	527	231055	Bushing - Gov. Crank (1 1/4" I.D.)
38	390402	Rod Assy. - Connecting	528	231082	Nut - Hex 10 - 24
39	NOTE: For Connecting Rod with .020" Underize Crankpin Bore - Order No. 390773		529	93306	Cotter - Hair Pin
40	221114	Lock - Connecting Rod Screw	531	93307	Retainer - E-Ring
41	221115	Screw - Connecting Rod	535	66538	Elbow - Spark Plug
42	390419	Valve - Exhaust	537	93490	Screw - Sem
43	281055	Valve - Intake	539	93572	Screw
44	69506	Spring - Intake Valve	541	22190	Clip - Wire
45	282760	Rotocool - Exhaust Valve	542	281195	Gear - Timing
46	282761	Rotocool - Intake Valve	543	211875	Link - Counterweight
47	282762	Retainer - Intake Valve	544	390172	Counterweight Assy.
48	282763	Retainer - Exhaust Valve	545	288909	Pin - Counterweight
49	282764	Retainer - Exhaust Valve Rotocool	546	230840	Spacer - Counterweight
50	211689	Gear - Cam	547	93874	Screw - Counterweight
51	93042	Screw - Sems	548	270290	Seal - Filler Cap
52	220685	Washer - Spring	549	392066	Filler Group - Oil
53	93039	Screw - Sem	551	221798	Terminal - Ignition Cable
54	221760	Guide - Air	552	221798	Terminal - Ignition Cable
55	260711	Link - Governor	553	392066	Filler Group - Oil
56	261308	Spring - Governor	554	221798	Terminal - Ignition Cable
57	392718	Oil Slinger - Gov. Gear and Bracket Assembly	555	392066	Filler Group - Oil
58	390662	Plate - Gov. Control	556	221798	Terminal - Ignition Cable
59	231098	Crank - Gov. (1 1/4" Dia.)	557	392066	Filler Group - Oil
60			558	221798	Terminal - Ignition Cable
61			559	392066	Filler Group - Oil
62			560	221798	Terminal - Ignition Cable
63			561	392066	Filler Group - Oil
64			562	221798	Terminal - Ignition Cable
65			563	392066	Filler Group - Oil
66			564	221798	Terminal - Ignition Cable
67			565	392066	

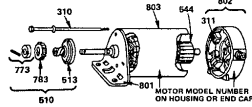
REPAIR PARTS

36" RIDING LAWN TRACTOR-MODEL NUMBER L8218AR
BRIGGS & STRATTON 8 H.P. ENGINE-MODEL NO. 191707, TYPE NO. 5627-01
AIR CLEANER, CARBURETOR AND FLYWHEEL GROUP



KEY NO.	PART NO.	DESCRIPTION	KEY NO.	PART NO.	DESCRIPTION
10	53394	Screw - Sem	216	381117	Link Clutch
23	391483	Flywheel and Ring Gear Ass'y. - Magneto	229	220680	Washer, Flat
52	27824	Gasket - Carburetor Mounting	309	392749	Motor and Drive Ass'y. (See Break-down of Parts Below)
53	23108	Bushing - Throttle Shaft	423	59410	Screw - Sem
84	26261	Valve Assembly - Carburetor Idle	481	391532	Screw - Sem
85	83499	Screw - Throttle and Choke Valve Mtg.	482	238970	Bushing - Stator
96	91920	Screw - Machine Fill, Hd. 8 - 32 x 5/8"	485	39321	Screw - Sem
99	26157	Spring - Throttle Adjustment	486	390888	Knob Ass'y. - Fuse
101	83043	Pin - Throttle Stop	488	391507	Diode - Alternator
104	238986	*Pin - Float Hinge	488	222211	Bracket - Output
108	222010	*Valve - Choke	534	59622	Screw - Air Cleaner
118	391233	*Valve Needle	534A	93223	Screw - Air Cleaner
121	29852	Carburetor Overhaul Kit	536	390298	Element - Air Cleaner
123	53387	Screw - Carburetor Mtg.	536	391399	Cleaner Assembly - Air
125	393811	Carburetor Assembly	Use 280111	Support - Air Cleaner Element (Plastic)	
126	298951	Body Assembly - Carburetor	537	270539	Gasket - Air Cleaner
127	211927	*Plug - Wash	601	93053	Clamp - Fuel Pipe
128	211682	Venturi - Carburetor	618	281116	Spring - Choke Return
130	221898	Valve - Throttle	634	270382	Washer - Choke Shaft
131	381512	Shaft and Lever - Throttle	662	222027	Bracket - Carburetor
132	211712	Stop - Throttle	863	93672	Screw
133	289707	Float - Carburetor	726	392134	Gear - Ring
136	289696	Valve - Fuel Inlet	727	392233	Cover and Shield - Starter
138	221896	Bowl - Float	728	93623	Screw - Sem
137	27081	*Gasket - Float Bowl	783	391604	Electric Starter Kit - 12 Volt (Gear Drive)
138	222314	*Washer - Float Bowl	814	390887	Wire - Assembly - 7 Amp. Alternator
141	390884	Shaft and Lever - Choke	814	391289	Spring - Diode
142	280740	*Screw - Carburetor			
147	299322	*Screw - Nozzle			
188	67218	Connector - Fuel Pipe			
187	296004	Pipe - Fuel			

STARTER MOTOR GROUP

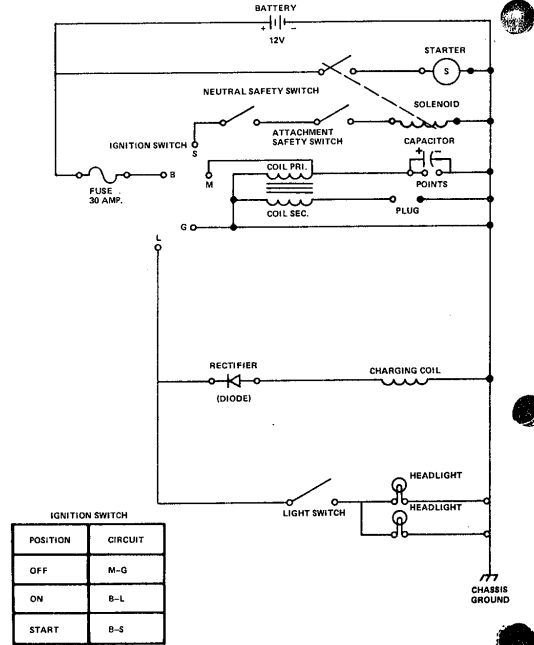


KEY NO.	PART NO.	DESCRIPTION
310	391708	Thru Bolt Ass'y.
311	391706	Brush Ass'y.
510	391461	*Drive Ass'y.
544	392747	Armature Ass'y.
801	391761	End Cap Ass'y. Drive
802	390848	*End Cap Ass'y. Commutator
803	392744	Housing Ass'y.

*Includes Brush Set
*Includes No. 381135 Clutch Ass'y. (Key No. 513)
*Includes No. 280104 Gear (Key No. 783)
*Includes No. 391462 Retainer and Pin (Key No. 773)

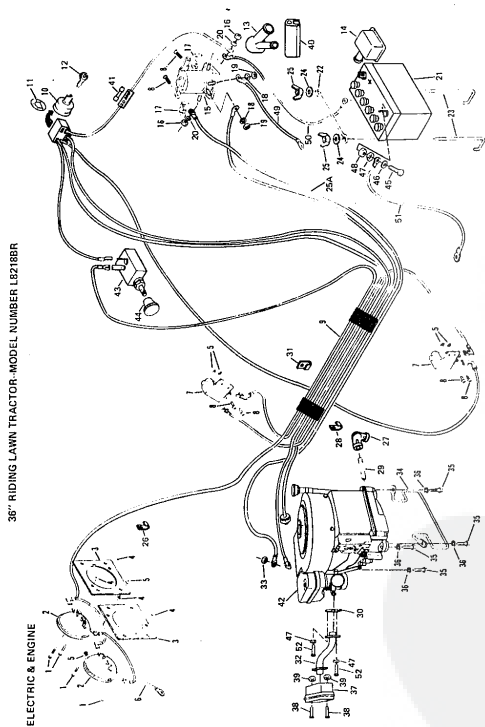
REPAIR PARTS

36" RIDING LAWN TRACTOR-MODEL NUMBER L8218AR
SCHEMATIC DIAGRAM



REPAIR PARTS

ELECTRIC & ENGINE



REPAIR PARTS

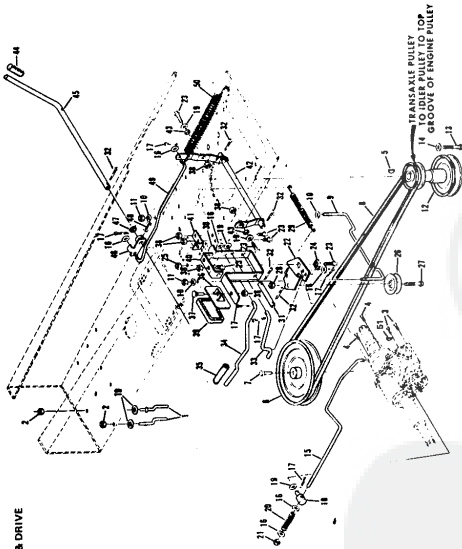
ELECTRIC & ENGINE

KEY NO.	PART NO.	DESCRIPTION
1	66421	Screw - Machine Truss Head
2	6452R	Headlight Support
4	53891	Nut - Lock No. 10 - 24
5	6744R	Washer - Flat
6	71706	Wire Assembly
6	2355R	Safety Switch
6	2355R	Safety Switch - Phillips Head
8	4781	*Washer - Lock No. 10 - 24
10	4462R	Ignition Switch (Inc. Ref No. 12)
11	8927R	Terminal Identifier
12	5127R	Eye Bolt
13	5127R	Terminal Cover (Dial)
14	7754R	Spring - Retainer
15	7754R	Spring - Retainer
17	6088R	Nut - Hex Jam 5/16 - 24
18	1003P	*Washer - Lock No. 10 - 24
18	1003P	*Washer - Lock No. 10 - 24
20	1003P	*Lockwasher 5/16 - 32
21	67187	Battery Rod
22	67187	Battery Rod
23	7065	Battery Bolt - 7/8" x .063
25	52231	Wing Nut 1/4 - 20
25	52231	Wing Nut 1/4 - 20
26	2921R	Insulated Clip
26	2921R	Insulated Clip
28	5220R	End Cap Ass'y. Drive
28	5220R	End Cap Ass'y. Drive
29	6744R	Washer - Flat
31	6744R	Washer - Flat
33	45400	Electric Plug
34	7582P	Belt Keeper Ass'y. Thru Rolling
35	5982P	Roller - 1/8" x 1 - 1/2
37	10715	Washer - Lock 3/8
37	10715	Washer - Lock 3/8
38	2701P	Hex Bolt 5/16 - 18 x 2 - 3/4
40	8711	Spring - Retainer
40	8711	Spring - Retainer
42	191707	Engine
43	270382	Washer - Choke Shaft
44	7754R	Spring - Retainer
46	1503P	*Lockwasher 5/16 - 32
46	1503P	*Lockwasher 5/16 - 32
47	1003P	*Washer - Lock No. 10 - 24
47	1003P	*Washer - Lock No. 10 - 24
49	8027R	Wire - Ground Solenoid
49	8027R	Wire - Ground Solenoid
51	59621	Ground Cable
51	59621	Ground Cable
51	70541	Clamp - Hex Hd. 1/4 - 20 x .62
51	70541	Clamp - Hex Hd. 1/4 - 20 x .62
52	2921R	Insulated Clip

*STANDARD HARDWARE PURCHASE LOCALLY

REPAIR PARTS

36" RIDING LAWN TRACTOR-MODEL NUMBER L8218BR
CLUTCH-BRAKE & DRIVE



REPAIR PARTS

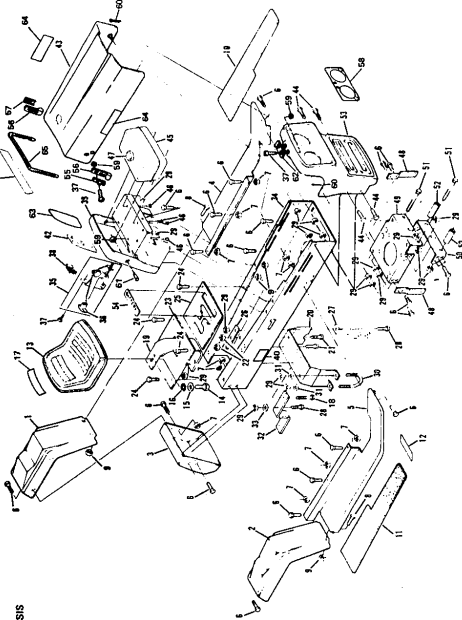
36" RIDING LAWN TRACTOR-MODEL NUMBER L8218BR
CLUTCH-BRAKE & DRIVE

KEY NO.	PART NO.	DESCRIPTION
1	24522	Nut, 5/16-18
2	24522	Nut, Lock 5/16-18
3	65205	Screw, Hex Head w/Washer
4	65206	Screw, Hex Head w/Washer
5	65203	Kit, Woodruff No. 6
6	73542	Pulley, Transaxle
7	65205	Washer, 3/32 x 1.250 x .201
8	71741	Washer, 3/32 x 1.250 x .201
9	71741	Washer, 3/32 x 1.250 x .201
10	51785	Washer, 3/32 x 1.250 x .201
11	65205	Washer, 3/32 x 1.250 x .201
12	71741	Washer, 3/32 x 1.250 x .201
13	68874	Washer, 3/32 x 1.250 x .201
14	67125	Washer, 3/32 x 1.250 x .201
15	53988	Washer, 3/32 x 1.250 x .201
16	53988	Washer, 3/32 x 1.250 x .201
17	71738	Washer, 3/32 x 1.250 x .201
18	71738	Washer, 3/32 x 1.250 x .201
19	53988	Washer, 3/32 x 1.250 x .201
20	62536	Nut, Lock 3/8-16
21	62536	Nut, Lock 3/8-16
22	71201	Washer

*STANDARD HARDWARE PURCHASE LOCALLY

REPAIR PARTS

36" RIDING LAWN TRACTOR-MODEL NUMBER L8218BR
CHASSIS



REPAIR PARTS

36" RIDING LAWN TRACTOR-MODEL NUMBER L8218BR
CHASSIS

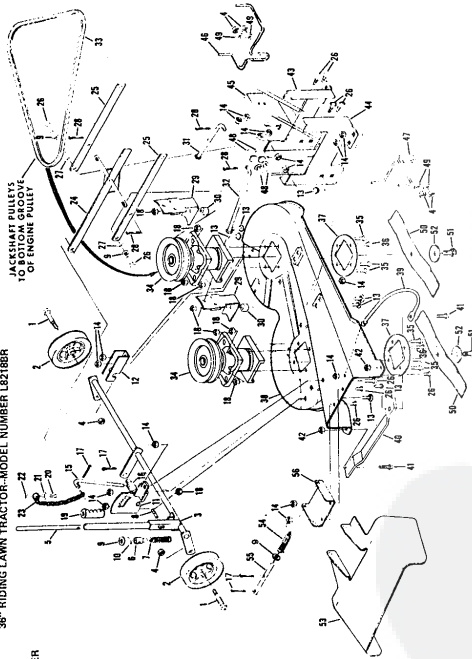
KEY NO.	PART NO.	DESCRIPTION
1	3884	Fender, L.H.
2	3884	Fender, R.H.
3	3884	Fender, L.H.
4	3884	Fender, R.H.
5	3884	Fender, L.H.
6	3884	Fender, R.H.
7	3884	Fender, L.H.
8	3884	Fender, R.H.
9	3884	Fender, L.H.
10	3884	Fender, R.H.
11	3884	Fender, L.H.
12	3884	Fender, R.H.
13	3884	Fender, L.H.
14	3884	Fender, R.H.
15	3884	Fender, L.H.
16	3884	Fender, R.H.
17	3884	Fender, L.H.
18	3884	Fender, R.H.
19	3884	Fender, L.H.
20	3884	Fender, R.H.
21	3884	Fender, L.H.
22	3884	Fender, R.H.
23	3884	Fender, L.H.
24	3884	Fender, R.H.
25	3884	Fender, L.H.
26	3884	Fender, R.H.
27	3884	Fender, L.H.
28	3884	Fender, R.H.
29	3884	Fender, L.H.
30	3884	Fender, R.H.
31	3884	Fender, L.H.
32	3884	Fender, R.H.
33	3884	Fender, L.H.
34	3884	Fender, R.H.
35	3884	Fender, L.H.
36	3884	Fender, R.H.
37	3884	Fender, L.H.
38	3884	Fender, R.H.
39	3884	Fender, L.H.
40	3884	Fender, R.H.
41	3884	Fender, L.H.
42	3884	Fender, R.H.
43	3884	Fender, L.H.
44	3884	Fender, R.H.
45	3884	Fender, L.H.
46	3884	Fender, R.H.
47	3884	Fender, L.H.
48	3884	Fender, R.H.
49	3884	Fender, L.H.
50	3884	Fender, R.H.
51	3884	Fender, L.H.
52	3884	Fender, R.H.
53	3884	Fender, L.H.
54	3884	Fender, R.H.
55	3884	Fender, L.H.
56	3884	Fender, R.H.
57	3884	Fender, L.H.
58	3884	Fender, R.H.
59	3884	Fender, L.H.
60	3884	Fender, R.H.
61	3884	Fender, L.H.
62	3884	Fender, R.H.
63	3884	Fender, L.H.
64	3884	Fender, R.H.
65	3884	Fender, L.H.
66	3884	Fender, R.H.
67	3884	Fender, L.H.
68	3884	Fender, R.H.
69	3884	Fender, L.H.
70	3884	Fender, R.H.
71	3884	Fender, L.H.
72	3884	Fender, R.H.
73	3884	Fender, L.H.
74	3884	Fender, R.H.
75	3884	Fender, L.H.
76	3884	Fender, R.H.
77	3884	Fender, L.H.
78	3884	Fender, R.H.
79	3884	Fender, L.H.
80	3884	Fender, R.H.
81	3884	Fender, L.H.
82	3884	Fender, R.H.
83	3884	Fender, L.H.
84	3884	Fender, R.H.
85	3884	Fender, L.H.
86	3884	Fender, R.H.
87	3884	Fender, L.H.
88	3884	Fender, R.H.
89	3884	Fender, L.H.
90	3884	Fender, R.H.
91	3884	Fender, L.H.
92	3884	Fender, R.H.
93	3884	Fender, L.H.
94	3884	Fender, R.H.
95	3884	Fender, L.H.
96	3884	Fender, R.H.
97	3884	Fender, L.H.
98	3884	Fender, R.H.
99	3884	Fender, L.H.
100	3884	Fender, R.H.

*STANDARD HARDWARE PURCHASE LOCALLY

REPAIR PARTS

36" RIDING LAWN TRACTOR—MODEL NUMBER L8218BR

MOWER



REPAIR PARTS

36" RIDING LAWN TRACTOR—MODEL NUMBER L8218BR

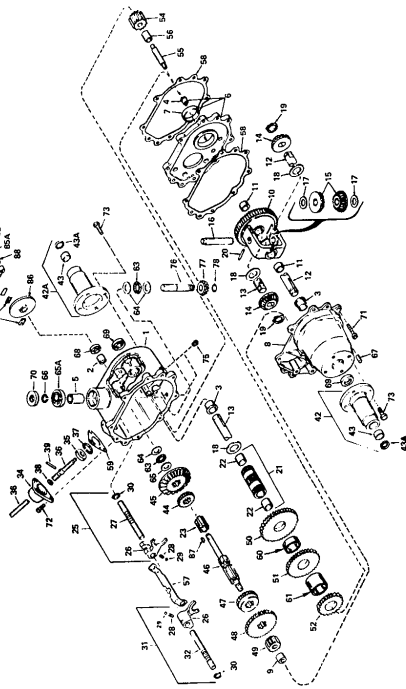
MOWER

KEY NO.	PART NO.	DESCRIPTION	KEY NO.	PART NO.	DESCRIPTION
2	65528	Eye Bolt	20	71822	Blade Discharge Assembly
3	71821	Pin Rod Assembly	21	71825	Blade Spring
4	71822	Pin Rod	22	71826	Blade Spring L.H.
5	73983	Lock 3/8" x 1/8"	23	62820	Blade Spring R.H.
6	71823	Pin Rod	24	71827	Blade Spring L.H.
7	71824	Pin Rod	25	71828	Blade Spring R.H.
8	54880	Spring Pin - Slotted 1/4 x 1 1/2	26	30227	Blade Spring L.H.
9	54881	Spring Pin - Slotted 1/4 x 1 1/2	27	67743	Blade Spring R.H.
10	52970	Spring Pin 1/8 x 5/8	28	67744	Blade Spring L.H.
11	52971	Spring Pin 1/8 x 5/8	29	67745	Blade Spring R.H.
12	62327	Pin Rod Support	30	74016	Blade Spring L.H.
13	159	Pin Rod	31	74017	Blade Spring R.H.
14	159	Pin Rod	32	51457	Screw, Machine 5/16 - 18 x 7/8
15	71300	Adjustment Rod	33	71275	Housing Bracket L.H.
16	62235	Adjustment Rod	34	71276	Housing Bracket R.H.
17	23759	Pin	35	71277	Blade Spring L.H.
18	62235	Adjustment Rod	36	71278	Blade Spring R.H.
19	62235	Adjustment Rod	37	199	Blade Spring L.H.
20	23759	Pin	38	199	Blade Spring R.H.
21	65329	Phillips Pan Hd. Machine Screw	39	71280	Blade Spring L.H.
22	53800	Nut, Lock 1/2 - 20	40	71281	Blade Spring R.H.
23	72915	Parallel Rod Assembly	41	71282	Blade Spring L.H.
24	72915	Parallel Rod Assembly	42	71283	Blade Spring R.H.
25	72915	Parallel Rod Assembly	43	71284	Blade Spring L.H.
26	30109	Blade Spring	44	71285	Blade Spring R.H.
27	71815	Blade Spring	45	71286	Blade Spring L.H.
28	71815	Blade Spring	46	71287	Blade Spring R.H.
29	71815	Blade Spring	47	71288	Blade Spring L.H.
30	71815	Blade Spring	48	71289	Blade Spring R.H.
31	71815	Blade Spring	49	71290	Blade Spring L.H.
32	71815	Blade Spring	50	71291	Blade Spring R.H.
33	71815	Blade Spring	51	71292	Blade Spring L.H.
34	71815	Blade Spring	52	71293	Blade Spring R.H.
35	71815	Blade Spring	53	71294	Blade Spring L.H.
36	71815	Blade Spring	54	71295	Blade Spring R.H.
37	71815	Blade Spring	55	71296	Blade Spring L.H.
38	71815	Blade Spring	56	71297	Blade Spring R.H.
39	71815	Blade Spring	57	71298	Blade Spring L.H.
40	71815	Blade Spring	58	71299	Blade Spring R.H.
41	71815	Blade Spring	59	71300	Blade Spring L.H.
42	71815	Blade Spring	60	71301	Blade Spring R.H.
43	71815	Blade Spring	61	71302	Blade Spring L.H.
44	71815	Blade Spring	62	71303	Blade Spring R.H.
45	71815	Blade Spring	63	71304	Blade Spring L.H.
46	71815	Blade Spring	64	71305	Blade Spring R.H.
47	71815	Blade Spring	65	71306	Blade Spring L.H.
48	71815	Blade Spring	66	71307	Blade Spring R.H.
49	71815	Blade Spring	67	71308	Blade Spring L.H.
50	71815	Blade Spring	68	71309	Blade Spring R.H.
51	71815	Blade Spring	69	71310	Blade Spring L.H.
52	71815	Blade Spring	70	71311	Blade Spring R.H.
53	71815	Blade Spring	71	71312	Blade Spring L.H.
54	71815	Blade Spring	72	71313	Blade Spring R.H.
55	71815	Blade Spring	73	71314	Blade Spring L.H.
56	71815	Blade Spring	74	71315	Blade Spring R.H.
57	71815	Blade Spring	75	71316	Blade Spring L.H.
58	71815	Blade Spring	76	71317	Blade Spring R.H.
59	71815	Blade Spring	77	71318	Blade Spring L.H.
60	71815	Blade Spring	78	71319	Blade Spring R.H.
61	71815	Blade Spring	79	71320	Blade Spring L.H.
62	71815	Blade Spring	80	71321	Blade Spring R.H.
63	71815	Blade Spring	81	71322	Blade Spring L.H.
64	71815	Blade Spring	82	71323	Blade Spring R.H.
65	71815	Blade Spring	83	71324	Blade Spring L.H.
66	71815	Blade Spring	84	71325	Blade Spring R.H.
67	71815	Blade Spring	85	71326	Blade Spring L.H.
68	71815	Blade Spring	86	71327	Blade Spring R.H.
69	71815	Blade Spring	87	71328	Blade Spring L.H.
70	71815	Blade Spring	88	71329	Blade Spring R.H.
71	71815	Blade Spring	89	71330	Blade Spring L.H.
72	71815	Blade Spring	90	71331	Blade Spring R.H.
73	71815	Blade Spring	91	71332	Blade Spring L.H.
74	71815	Blade Spring	92	71333	Blade Spring R.H.
75	71815	Blade Spring	93	71334	Blade Spring L.H.
76	71815	Blade Spring	94	71335	Blade Spring R.H.
77	71815	Blade Spring	95	71336	Blade Spring L.H.
78	71815	Blade Spring	96	71337	Blade Spring R.H.
79	71815	Blade Spring	97	71338	Blade Spring L.H.
80	71815	Blade Spring	98	71339	Blade Spring R.H.
81	71815	Blade Spring	99	71340	Blade Spring L.H.
82	71815	Blade Spring	100	71341	Blade Spring R.H.
83	71815	Blade Spring	101	71342	Blade Spring L.H.
84	71815	Blade Spring	102	71343	Blade Spring R.H.
85	71815	Blade Spring	103	71344	Blade Spring L.H.
86	71815	Blade Spring	104	71345	Blade Spring R.H.
87	71815	Blade Spring	105	71346	Blade Spring L.H.
88	71815	Blade Spring	106	71347	Blade Spring R.H.
89	71815	Blade Spring	107	71348	Blade Spring L.H.
90	71815	Blade Spring	108	71349	Blade Spring R.H.
91	71815	Blade Spring	109	71350	Blade Spring L.H.
92	71815	Blade Spring	110	71351	Blade Spring R.H.
93	71815	Blade Spring	111	71352	Blade Spring L.H.
94	71815	Blade Spring	112	71353	Blade Spring R.H.
95	71815	Blade Spring	113	71354	Blade Spring L.H.
96	71815	Blade Spring	114	71355	Blade Spring R.H.
97	71815	Blade Spring	115	71356	Blade Spring L.H.
98	71815	Blade Spring	116	71357	Blade Spring R.H.
99	71815	Blade Spring	117	71358	Blade Spring L.H.
100	71815	Blade Spring	118	71359	Blade Spring R.H.
101	71815	Blade Spring	119	71360	Blade Spring L.H.
102	71815	Blade Spring	120	71361	Blade Spring R.H.
103	71815	Blade Spring	121	71362	Blade Spring L.H.
104	71815	Blade Spring	122	71363	Blade Spring R.H.
105	71815	Blade Spring	123	71364	Blade Spring L.H.
106	71815	Blade Spring	124	71365	Blade Spring R.H.
107	71815	Blade Spring	125	71366	Blade Spring L.H.
108	71815	Blade Spring	126	71367	Blade Spring R.H.
109	71815	Blade Spring	127	71368	Blade Spring L.H.
110	71815	Blade Spring	128	71369	Blade Spring R.H.
111	71815	Blade Spring	129	71370	Blade Spring L.H.
112	71815	Blade Spring	130	71371	Blade Spring R.H.
113	71815	Blade Spring	131	71372	Blade Spring L.H.
114	71815	Blade Spring	132	71373	Blade Spring R.H.
115	71815	Blade Spring	133	71374	Blade Spring L.H.
116	71815	Blade Spring	134	71375	Blade Spring R.H.
117	71815	Blade Spring	135	71376	Blade Spring L.H.
118	71815	Blade Spring	136	71377	Blade Spring R.H.
119	71815	Blade Spring	137	71378	Blade Spring L.H.
120	71815	Blade Spring	138	71379	Blade Spring R.H.
121	71815	Blade Spring	139	71380	Blade Spring L.H.
122	71815	Blade Spring	140	71381	Blade Spring R.H.
123	71815	Blade Spring	141	71382	Blade Spring L.H.
124	71815	Blade Spring	142	71383	Blade Spring R.H.
125	71815	Blade Spring	143	71384	Blade Spring L.H.
126	71815	Blade Spring	144	71385	Blade Spring R.H.
127	71815	Blade Spring	145	71386	Blade Spring L.H.
128	71815	Blade Spring	146	71387	Blade Spring R.H.
129	71815	Blade Spring	147	71388	Blade Spring L.H.
130	71815	Blade Spring	148	71389	Blade Spring R.H.
131	71815	Blade Spring	149	71390	Blade Spring L.H.
132	71815	Blade Spring	150	71391	Blade Spring R.H.
133	71815	Blade Spring	151	71392	Blade Spring L.H.
134	71815	Blade Spring	152	71393	Blade Spring R.H.
135	71815	Blade Spring	153	71394	Blade Spring L.H.
136	71815	Blade Spring	154	71395	Blade Spring R.H.
137	71815	Blade Spring	155	71396	Blade Spring L.H.
138	71815	Blade Spring	156	71397	Blade Spring R.H.
139	71815	Blade Spring	157	71398	Blade Spring L.H.
140	71815	Blade Spring	158	71399	Blade Spring R.H.
141	71815	Blade Spring	159	71400	Blade Spring L.H.
142	71815	Blade Spring	160	71401	Blade Spring R.H.
143	71815	Blade Spring	161	71402	Blade Spring L.H.
144	71815	Blade Spring	162	71403	Blade Spring R.H.
145	71815	Blade Spring	163	71404	Blade Spring L.H.
146	71815	Blade Spring	164	71405	Blade Spring R.H.
147	71815	Blade Spring	165	71406	Blade Spring L.H.
148	71815	Blade Spring	166	71407	Blade Spring R.H.
149	71815	Blade Spring	167	71408	Blade Spring L.H.
150	71815	Blade Spring	168	71409	Blade Spring R.H.
151	71815	Blade Spring	169	71410	Blade Spring L.H.
152	71815	Blade Spring	170	71411	Blade Spring R.H.
153	71815	Blade Spring	171	71412	Blade Spring L.H.
154	71815	Blade Spring	172	71413	Blade Spring R.H.
155	71815	Blade Spring	173	71414	Blade Spring L.H.
156	71815	Blade Spring	174	71415	Blade Spring R.H.
157	71815	Blade Spring	175	71416	Blade Spring L.H.
158	71815	Blade Spring	176	71417	Blade Spring R.H.
159	71815	Blade Spring	177	71418	Blade Spring L.H.
160	71815	Blade Spring	178	71419	Blade Spring R.H.
161	71815	Blade Spring	179	71420	Blade Spring L.H.
162	71815	Blade Spring	180	71421	Blade Spring R.H.
163	71815	Blade Spring	181	71422	Blade Spring L.H.
164	71815	Blade Spring	182	71423	Blade Spring R.H.
165	71815	Blade Spring	183	71424	Blade Spring L.H.
166	71815	Blade Spring	184	71425	Blade Spring R.H.
167	71815	Blade Spring	185	71426	Blade Spring L.H.
168	71815	Blade Spring	186	71427	Blade Spring R.H.
169	71815	Blade Spring	187	71428	Blade Spring L.H.
170	71815	Blade Spring	188	71429	Blade Spring R.H.
171	71815	Blade Spring	189	71430	Blade Spring L.H.
172	71815	Blade Spring	190	71431	Blade Spring R.H.
173	71815	Blade Spring	191	71432	Blade Spring L.H.
174	71815	Blade Spring	192	71433	Blade Spring R.H.
175	71815	Blade Spring	193	71434	Blade Spring L.H.
176	71815	Blade Spring	194	71435	Blade Spring R.H.
177	71815	Blade Spring	195	71436	Blade Spring L.H.
178	71815	Blade Spring	196	71437	Blade Spring R.H.
179	71815	Blade Spring	197	71438	Blade Spring L.H.
180	71815	Blade Spring	198	71439	Blade Spring R.H.
181	71815	Blade Spring	199		

REPAIR PARTS

36" RIDING LAWN TRACTOR-MODEL NUMBER L8218BR
 TRANSALE NO. 794191A-MODEL NUMBER 143.658A

ALL TRANSALE PARTS MUST
 BE PURCHASED THROUGH YOUR
 LOCAL EQUIPMENT DEALER



REPAIR PARTS

36" RIDING LAWN TRACTOR-MODEL NUMBER L8218BR
 TRANSALE NO. 794191A-MODEL NUMBER 143.658A

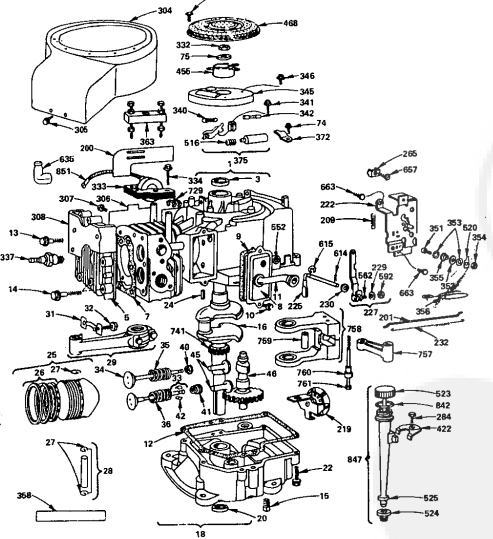
KEY NO.	PART NO.	DESCRIPTION	KEY NO.	PART NO.	DESCRIPTION
1	794191A	Complete Transaxle (Inc. No. 2, 3 & 5)	46	778232	Gov. Belt (25 Teeth)
2	780088	Bearing, Needle	47	778688	Gov. Spring (2 1/2 x 1/4)
3	780089	Bearing, Needle	48	778689	Gov. Spring (2 1/2 x 1/4)
4	780090	Bearing, Needle	49	778690	Gov. Spring (2 1/2 x 1/4)
5	780091	Bearing, Needle	50	778691	Gov. Spring (2 1/2 x 1/4)
6	778242	Cover, Air, Transaxle (Inc. No. 1, 2 & 8)	51	778141	Gear, Governorhaft (24 Teeth)
7	778243	Cover, Air, Transaxle (Inc. No. 1, 2 & 8)	52	778142	Gear, Governorhaft (24 Teeth)
8	778244	Cover, Air, Transaxle (Inc. No. 1, 2 & 8)	53	778143	Gear, Governorhaft (24 Teeth)
9	778245	Cover, Air, Transaxle (Inc. No. 1, 2 & 8)	54	778144	Gear, Governorhaft (24 Teeth)
10	778246	Cover, Air, Transaxle (Inc. No. 1, 2 & 8)	55	778145	Gear, Governorhaft (24 Teeth)
11	778247	Cover, Air, Transaxle (Inc. No. 1, 2 & 8)	56	778146	Gear, Governorhaft (24 Teeth)
12	778248	Cover, Air, Transaxle (Inc. No. 1, 2 & 8)	57	778147	Gear, Governorhaft (24 Teeth)
13	778249	Cover, Air, Transaxle (Inc. No. 1, 2 & 8)	58	778148	Gear, Governorhaft (24 Teeth)
14	778250	Cover, Air, Transaxle (Inc. No. 1, 2 & 8)	59	778149	Gear, Governorhaft (24 Teeth)
15	778251	Cover, Air, Transaxle (Inc. No. 1, 2 & 8)	60	778150	Gear, Governorhaft (24 Teeth)
16	778252	Cover, Air, Transaxle (Inc. No. 1, 2 & 8)	61	778151	Gear, Governorhaft (24 Teeth)
17	778253	Cover, Air, Transaxle (Inc. No. 1, 2 & 8)	62	778152	Gear, Governorhaft (24 Teeth)
18	778254	Cover, Air, Transaxle (Inc. No. 1, 2 & 8)	63	778153	Gear, Governorhaft (24 Teeth)
19	778255	Cover, Air, Transaxle (Inc. No. 1, 2 & 8)	64	778154	Gear, Governorhaft (24 Teeth)
20	778256	Cover, Air, Transaxle (Inc. No. 1, 2 & 8)	65	778155	Gear, Governorhaft (24 Teeth)
21	778257	Cover, Air, Transaxle (Inc. No. 1, 2 & 8)	66	778156	Gear, Governorhaft (24 Teeth)
22	778258	Cover, Air, Transaxle (Inc. No. 1, 2 & 8)	67	778157	Gear, Governorhaft (24 Teeth)
23	778259	Cover, Air, Transaxle (Inc. No. 1, 2 & 8)	68	778158	Gear, Governorhaft (24 Teeth)
24	778260	Cover, Air, Transaxle (Inc. No. 1, 2 & 8)	69	778159	Gear, Governorhaft (24 Teeth)
25	778261	Cover, Air, Transaxle (Inc. No. 1, 2 & 8)	70	778160	Gear, Governorhaft (24 Teeth)
26	778262	Cover, Air, Transaxle (Inc. No. 1, 2 & 8)	71	778161	Gear, Governorhaft (24 Teeth)
27	778263	Cover, Air, Transaxle (Inc. No. 1, 2 & 8)	72	778162	Gear, Governorhaft (24 Teeth)
28	778264	Cover, Air, Transaxle (Inc. No. 1, 2 & 8)	73	778163	Gear, Governorhaft (24 Teeth)
29	778265	Cover, Air, Transaxle (Inc. No. 1, 2 & 8)	74	778164	Gear, Governorhaft (24 Teeth)
30	778266	Cover, Air, Transaxle (Inc. No. 1, 2 & 8)	75	778165	Gear, Governorhaft (24 Teeth)
31	778267	Cover, Air, Transaxle (Inc. No. 1, 2 & 8)	76	778166	Gear, Governorhaft (24 Teeth)
32	778268	Cover, Air, Transaxle (Inc. No. 1, 2 & 8)	77	778167	Gear, Governorhaft (24 Teeth)
33	778269	Cover, Air, Transaxle (Inc. No. 1, 2 & 8)	78	778168	Gear, Governorhaft (24 Teeth)
34	778270	Cover, Air, Transaxle (Inc. No. 1, 2 & 8)	79	778169	Gear, Governorhaft (24 Teeth)
35	778271	Cover, Air, Transaxle (Inc. No. 1, 2 & 8)	80	778170	Gear, Governorhaft (24 Teeth)
36	778272	Cover, Air, Transaxle (Inc. No. 1, 2 & 8)	81	778171	Gear, Governorhaft (24 Teeth)
37	778273	Cover, Air, Transaxle (Inc. No. 1, 2 & 8)	82	778172	Gear, Governorhaft (24 Teeth)
38	778274	Cover, Air, Transaxle (Inc. No. 1, 2 & 8)	83	778173	Gear, Governorhaft (24 Teeth)
39	778275	Cover, Air, Transaxle (Inc. No. 1, 2 & 8)	84	778174	Gear, Governorhaft (24 Teeth)
40	778276	Cover, Air, Transaxle (Inc. No. 1, 2 & 8)	85	778175	Gear, Governorhaft (24 Teeth)
41	778277	Cover, Air, Transaxle (Inc. No. 1, 2 & 8)	86	778176	Gear, Governorhaft (24 Teeth)
42	778278	Cover, Air, Transaxle (Inc. No. 1, 2 & 8)	87	778177	Gear, Governorhaft (24 Teeth)
43	778279	Cover, Air, Transaxle (Inc. No. 1, 2 & 8)	88	778178	Gear, Governorhaft (24 Teeth)
44	778280	Cover, Air, Transaxle (Inc. No. 1, 2 & 8)	89	778179	Gear, Governorhaft (24 Teeth)
45	778281	Cover, Air, Transaxle (Inc. No. 1, 2 & 8)	90	778180	Gear, Governorhaft (24 Teeth)
46	778282	Cover, Air, Transaxle (Inc. No. 1, 2 & 8)	91	778181	Gear, Governorhaft (24 Teeth)
47	778283	Cover, Air, Transaxle (Inc. No. 1, 2 & 8)	92	778182	Gear, Governorhaft (24 Teeth)
48	778284	Cover, Air, Transaxle (Inc. No. 1, 2 & 8)	93	778183	Gear, Governorhaft (24 Teeth)
49	778285	Cover, Air, Transaxle (Inc. No. 1, 2 & 8)	94	778184	Gear, Governorhaft (24 Teeth)
50	778286	Cover, Air, Transaxle (Inc. No. 1, 2 & 8)	95	778185	Gear, Governorhaft (24 Teeth)
51	778287	Cover, Air, Transaxle (Inc. No. 1, 2 & 8)	96	778186	Gear, Governorhaft (24 Teeth)
52	778288	Cover, Air, Transaxle (Inc. No. 1, 2 & 8)	97	778187	Gear, Governorhaft (24 Teeth)
53	778289	Cover, Air, Transaxle (Inc. No. 1, 2 & 8)	98	778188	Gear, Governorhaft (24 Teeth)
54	778290	Cover, Air, Transaxle (Inc. No. 1, 2 & 8)	99	778189	Gear, Governorhaft (24 Teeth)
55	778291	Cover, Air, Transaxle (Inc. No. 1, 2 & 8)	100	778190	Gear, Governorhaft (24 Teeth)

REPAIR PARTS

36" RIDING LAWN TRACTOR-MODEL NUMBER L8218BR
 BRIGGS & STRATTON 8 H.P. ENGINE-MODEL NO. 191707, TYPE NO. 5627-01

CYLINDER, CRANKSHAFT AND ENGINE BASE GROUP

ALL ENGINE PARTS MUST BE PURCHASED THROUGH AND SERVICE PERFORMED BY YOUR LOCAL BRIGGS & STRATTON DEALER



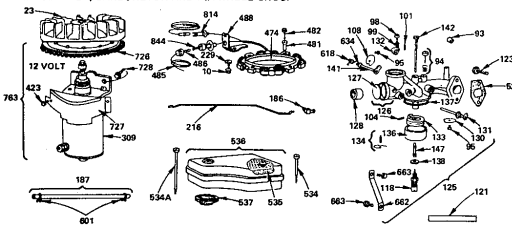
REPAIR PARTS

36" RIDING LAWN TRACTOR-MODEL NUMBER L8218BR
 BRIGGS & STRATTON 8 H.P. ENGINE-MODEL NO. 191707, TYPE NO. 5627-01

KEY NO.	PART NO.	DESCRIPTION	KEY NO.	PART NO.	DESCRIPTION
1	392005	Cylinder Assembly (Inc. Key No. 3)	227	391733	Lever Assy. - Governor (For 1/4" Dia Crank)
2	391726	Bushing - Cylinder	228	220680	Washer - Flat
3	294606	Seal - Oil	229	224450	Spring - Governor Link (1/4" I.D.)
4	212286	Head - Cylinder	230	224450	Spring - Governor Link (1/4" I.D.)
5	212286	Head - Cylinder	231	224450	Spring - Governor Link (1/4" I.D.)
6	212286	Head - Cylinder	232	224450	Spring - Governor Link (1/4" I.D.)
7	212286	Head - Cylinder	233	224450	Spring - Governor Link (1/4" I.D.)
8	391406	Breather Tube Assembly	234	224450	Spring - Governor Link (1/4" I.D.)
9	21900	Gasket - Valve Cover	235	224450	Spring - Governor Link (1/4" I.D.)
10	93394	Screw - Sem	236	224450	Spring - Governor Link (1/4" I.D.)
11	280005	Tube - Breather	237	224450	Spring - Governor Link (1/4" I.D.)
12	27750	*Gasket - Crankcase Cover - 1/64" Thick	238	224450	Spring - Governor Link (1/4" I.D.)
13	27876	*Gasket - Crankcase Cover - .005" Thick	239	224450	Spring - Governor Link (1/4" I.D.)
14	27877	*Gasket - Crankcase Cover - .009" Thick	240	224450	Spring - Governor Link (1/4" I.D.)
15	93211	Screw - Cylinder Head (2 - 21/32" Long)	241	224450	Spring - Governor Link (1/4" I.D.)
16	93723	Screw - Cylinder Head (3" Long)	242	224450	Spring - Governor Link (1/4" I.D.)
17	91084	Plug - Oil Drain	243	224450	Spring - Governor Link (1/4" I.D.)
18	391757	Crankshaft	244	224450	Spring - Governor Link (1/4" I.D.)
19	298516	Pump - Oil (Inc. Key No. 12 & 20)	245	224450	Spring - Governor Link (1/4" I.D.)
20	298423	Seal - Oil	246	224450	Spring - Governor Link (1/4" I.D.)
21	93585	Screw - Pump	247	224450	Spring - Governor Link (1/4" I.D.)
22	61760	Key - Flywheel	248	224450	Spring - Governor Link (1/4" I.D.)
23	391673	Piston Assy. - Std.	249	224450	Spring - Governor Link (1/4" I.D.)
24	391674	Piston Assy. - .010" O.S.	250	224450	Spring - Governor Link (1/4" I.D.)
25	391675	Piston Assy. - .020" O.S.	251	224450	Spring - Governor Link (1/4" I.D.)
26	391676	Piston Assy. - .030" O.S.	252	224450	Spring - Governor Link (1/4" I.D.)
27	391677	Piston Assy. - .040" O.S.	253	224450	Spring - Governor Link (1/4" I.D.)
28	299743	Ring Set - Piston - Std. Chrome	254	224450	Spring - Governor Link (1/4" I.D.)
29	391670	Ring Set - Piston - .010" O.S.	255	224450	Spring - Governor Link (1/4" I.D.)
30	391671	Ring Set - Piston - .020" O.S.	256	224450	Spring - Governor Link (1/4" I.D.)
31	391672	Ring Set - Piston - .030" O.S.	257	224450	Spring - Governor Link (1/4" I.D.)
32	68546	Lock - Piston Pin	258	224450	Spring - Governor Link (1/4" I.D.)
33	295840	Pin Assembly - Piston - Standard	259	224450	Spring - Governor Link (1/4" I.D.)
34	295841	Pin Assembly - Piston - .005" O.S.	260	224450	Spring - Governor Link (1/4" I.D.)
35	390402	Rod Assy. - Connecting	261	224450	Spring - Governor Link (1/4" I.D.)
36	222114	Lock - Connecting Rod Screw	262	224450	Spring - Governor Link (1/4" I.D.)
37	83059	Screw - Connecting Rod	263	224450	Spring - Governor Link (1/4" I.D.)
38	390419	Valve - Exhaust	264	224450	Spring - Governor Link (1/4" I.D.)
39	291055	Valve - Intake	265	224450	Spring - Governor Link (1/4" I.D.)
40	65906	Spring - Intake Valve	266	224450	Spring - Governor Link (1/4" I.D.)
41	29828	Spring - Exhaust Valve	267	224450	Spring - Governor Link (1/4" I.D.)
42	21558	Retainer - Intake Valve	268	224450	Spring - Governor Link (1/4" I.D.)
43	292260	Retainer - Exhaust Valve	269	224450	Spring - Governor Link (1/4" I.D.)
44	93630	Retainer - Exhaust Valve Retacoil	270	224450	Spring - Governor Link (1/4" I.D.)
45	299333	Tappet - Valve	271	224450	Spring - Governor Link (1/4" I.D.)
46	211689	Gear - Cam	272	224450	Spring - Governor Link (1/4" I.D.)
47	53342	Screw - Sems	273	224450	Spring - Governor Link (1/4" I.D.)
48	22866	Washer - Spring	274	224450	Spring - Governor Link (1/4" I.D.)
49	93008	Screw - Sem	275	224450	Spring - Governor Link (1/4" I.D.)
50	221760	Guide - Air	276	224450	Spring - Governor Link (1/4" I.D.)
51	290911	Link - Governor	277	224450	Spring - Governor Link (1/4" I.D.)
52	291308	Spring - Governor	278	224450	Spring - Governor Link (1/4" I.D.)
53	392718	Oil Slinger - Gov. Gear and Bracket Assembly	279	224450	Spring - Governor Link (1/4" I.D.)
54	390662	Plate - Gov. Control	280	224450	Spring - Governor Link (1/4" I.D.)
55	231058	Crank - Gov. (1/4" Dia.)	281	224450	Spring - Governor Link (1/4" I.D.)

REPAIR PARTS

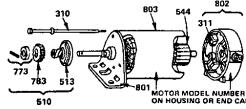
36" RIDING LAWN TRACTOR—MODEL NUMBER L8218BR
BRIGGS & STRATTON 8 H.P. ENGINE—MODEL NO. 191707, TYPE NO. 5627-01
AIR CLEANER, CARBURETOR AND FLYWHEEL GROUP



KEY NO.	PART NO.	DESCRIPTION	KEY NO.	PART NO.	DESCRIPTION
10	92304	Screw - Set	216	291117	Link Choke
23	381983	Flywheel and Ring Gear As'y. - Magneto	229	220680	Washer, Flat
52	210824	Gasket - Carburetor Mounting	309	392749	Motor and Drive As'y. (See Break-down of Parts Below)
83	24108	Bushing - Throttle Shaft	423	93410	Screw - Set
89	294081	Valve Assembly - Carburetor Idle	414	301522	Stator - Alternator
96	53499	Screw - Throttle and Choke Valve Mfg.	481	238970	Bushing - Stator
88	91920	Screw - Machine Fill, Hd. 8 - 32 x 5/8"	482	33621	Screw - Set
99	26157	Spring - Throttle Adjustment	485	381988	Knob As'y. - Fuse
101	83043	Pin - Throttle Stop	486	381907	Diode - Alternator
104	220896	Pin - Float Hinge	488	222211	Bracket - Output
108	227010	Valve Choke	534	33622	Screw - Air Cleaner
118	361233	Valve Needle	534A	33233	Screw - Air Cleaner
121	298852	Carburetor Overhaul Kit	536	270528	Element - Air Cleaner
123	93357	Screw - Carburetor Mtg.	538	381999	Cleaner Assembly - Air
126	269511	Carburetor Assembly	537	270539	Upper - Air Cleaner Element (Plastic)
127	221957	Body Assembly - Carburetor	601	43053	Gasket - Fuel Pipe
128	211682	Pin - Wrench	618	261116	Clamp - Fuel Pipe
130	221958	Venturi - Carburetor	629	220282	Spring - Choke Return
131	381512	Valve - Throttle	652	220282	Washer - Choke Shaft
132	211711	Shaft and Lever - Throttle	663	220277	Bracket - Carburetor
133	285707	Stop - Throttle	725	391134	Screw
134	259096	Float - Carburetor	727	390233	Gear - Ring
136	221995	Float - Bowl	728	390657	Cover and Shield - Starter
137	270511	Gasket - Float Bowl	844	261269	Screw - Set
141	220214	Washer - Float Bowl	814	390667	Electric Starter Kit - 12 Volt (Gear Drive)
142	390654	Shaft and Lever - Choke	844	391604	Wire - Assembly - 7 Amp. Alternator
147	285740	Washer - Carburetor			Spring - Diode
148	225872	Nozzle - Carburetor			
189	67218	Connector - Fuel Pipe			
190	256004	Pipe - Fuel			

*Included in Carburetor Overhaul Kit - Part No. 298852

STARTER MOTOR GROUP

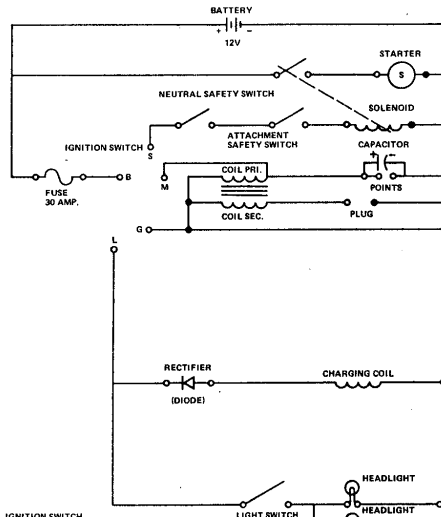


KEY NO.	PART NO.	DESCRIPTION
310	391706	Thru Bolt, As'y.
311	381705	Brush As'y.
510	391461	Drive As'y.
511	387747	Armature As'y.
801	381705	End Cap As'y., Drive
802	390846	Housing As'y., Commutator
803	392744	Housing As'y.

*Includes Brush Set No. 391735 Clutch As'y. (Key No. 513)
No. 390104 Gear (Key No. 783)
No. 391462 Retainer and Pin (Key No. 773)

REPAIR PARTS

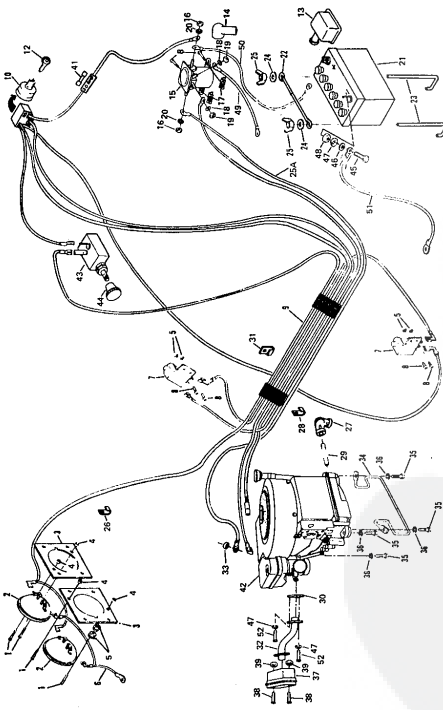
36" RIDING LAWN TRACTOR—MODEL NUMBER L8218BR
SCHEMATIC DIAGRAM



POSITION	CIRCUIT
OFF	M-G
ON	B-L
START	B-S

REPAIR PARTS

ELECTRIC & ENGINE



REPAIR PARTS

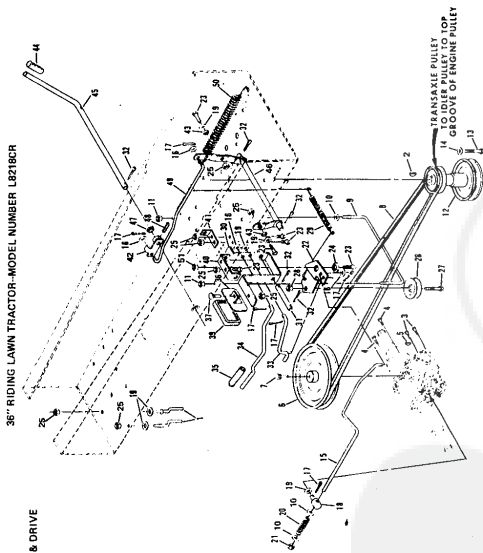
ELECTRIC & ENGINE

KEY NO.	PART NO.	DESCRIPTION
1	3228P	Screw, Machine Trust Head No. 10 - 24 x 1
2	645/R	Headlight Support
3	7302S	Headlight Lens
4	561P	Washer, Flat No. 10 - 24 UNC
5	561P	Washer, Flat No. 10 - 24 UNC
6	7125S	Safe Assembly
7	7125S	Safe Assembly
8	3359P	Screw, Machine Phillips Head No. 10 - 24 UNC
9	1795L	Wire Harness
10	1795L	Wire Harness
11	7522A	Terminal Block
12	7522A	Terminal Block
13	225J	Terminal Block
14	7125A/R	Terminal Block
15	7125A/R	Terminal Block
16	7125A/R	Terminal Block
17	578P	Terminal Block
18	1006P	Terminal Block
19	1006P	Terminal Block
20	1006P	Terminal Block
21	6718P	Terminal Block
22	1505S	Terminal Block
23	1505S	Terminal Block
24	1505S	Terminal Block
25	577P	Terminal Block
26	2321R	Terminal Block

*STANDARD HARDWARE—PURCHASE LOCALLY
OPTIONAL EQUIPMENT
1A89.11 Spark Arrestor

REPAIR PARTS

CLUTCH-BRAKE & DRIVE



36" RIDING LAWN TRACTOR—MODEL NUMBER L8218CR

REPAIR PARTS

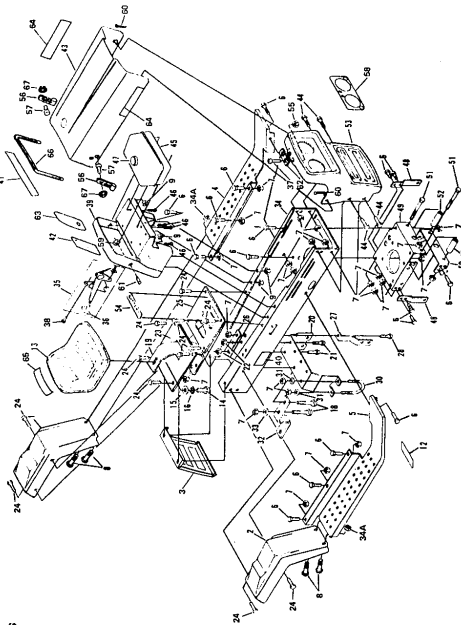
CLUTCH-BRAKE & DRIVE

REF. PART NO.	DESCRIPTION	REF. PART NO.	DESCRIPTION
1	71200 Bolt Guide	23	3010P Bolt, Hex Head 5/16 - 18 x 3.4
2	60603 Key, Woodruff No. 6	24	71202 Bushing 5/16 - 18 x 3.4
3	60604 Key, Woodruff No. 6	25	71202 Pulley, 18 x 18 UNC
4	60605 5/16 - 18 x 3.4 Washer	26	67400 Pulley, 18 x 18 UNC
5	60606 5/16 - 18 x 3.4 Washer	27	5729P Nut, Lock 1/8 - 1.12
6	57859 Key, Woodruff No. E1	28	2044J Spring, Idler
7	60607 5/16 - 18 x 3.4 Washer	29	2044J Spring, Idler
8	72794 V-Belt, 3/4 x 34 G. 5	30	71223 Feed Shaft
9	71241 Mid Belt Guide	31	71223 Clutch Fork
10	71241 Mid Belt Guide	32	74419 Park Brake Rod
11	5454P Locknut, 3/8 - 16	33	3733 Park Brake Rod
12	60623 5/16 - 18 x 3.4 Washer	34	71222 Feed Shaft
13	60623 5/16 - 18 x 3.4 Washer	35	71222 Feed Shaft
14	1010P 3/8 - 24 x 1.375	36	67285 Foot Pedal
15	73792 Brake Rod	37	71199 Foot Pedal
16	73792 Brake Rod	38	71222 Foot Pedal
17	2503P 1/2 - 20 x 1.5	39	71222 Foot Pedal
18	1525B 1/2 - 20 x 1.5	40	71199 Foot Pedal
19	1525B 1/2 - 20 x 1.5	41	71222 Foot Pedal
20	71239 Transmission	42	72229 Clutch Arm Assembly
21	71239 Transmission	43	72229 Clutch Arm Assembly
22	71201 Lug Bolt	44	71246 Clutch Fork
		45	71242 Clutch Fork
		46	71242 Clutch Fork
		47	71242 Clutch Fork
		48	71242 Clutch Fork
		49	71242 Clutch Fork
		50	71242 Clutch Fork
		51	71242 Clutch Fork

*STANDARD HARDWARE—PURCHASE LOCALLY

REPAIR PARTS

CHASSIS



36" RIDING LAWN TRACTOR—MODEL NUMBER L8218CR

REPAIR PARTS

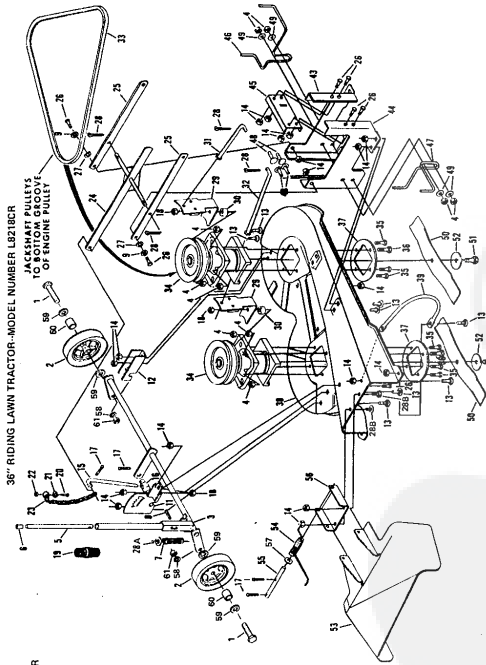
CHASSIS

REF. PART NO.	DESCRIPTION	REF. PART NO.	DESCRIPTION
1	3884 Feder, L.H.	35	1564J Remco Control Arm, R/C
2	3884 Feder, R.H.	36	6122P Nut, Hex Head 5/16 - 18 x 3.4
3	1135J Foot Rest, L.H.	37	6122P Nut, Hex Head 5/16 - 18 x 3.4
4	1135J Foot Rest, R.H.	38	6090P Screw, Hex Washer Hd. Thk. Cutting 1/4 - 20 x 1/2
5	1460J Foot Rest, R.H. 5/16 - 18 x 3/4	39	6090P Screw, Hex Washer Hd. Thk. Cutting 1/4 - 20 x 1/2
6	5798 Nut, Lock 5/16 - 18 UNC	40	75078 Drift, 3/8"
7	5798 Nut, Lock 5/16 - 18 UNC	41	1135J Drift, 3/8"
8	5798 Nut, Lock 5/16 - 18 UNC	42	1135J Drift, 3/8"
9	5798 Nut, Lock 5/16 - 18 UNC	43	67761Z Hood Assy, Washer Hd.
10	5798 Nut, Lock 5/16 - 18 UNC	44	3880P 5/16 - 18 x 3/4
11	5798 Nut, Lock 5/16 - 18 UNC	45	74415 Full Cap
12	5798 Nut, Lock 5/16 - 18 UNC	46	74415 Full Cap
13	5798 Nut, Lock 5/16 - 18 UNC	47	74415 Full Cap
14	5798 Nut, Lock 5/16 - 18 UNC	48	1885J Eye Bolt
15	5798 Nut, Lock 5/16 - 18 UNC	49	1885J Eye Bolt
16	5798 Nut, Lock 5/16 - 18 UNC	50	2717P Bolt, Hex Head 5/16 - 18 x 2.34
17	5798 Nut, Lock 5/16 - 18 UNC	51	2717P Bolt, Hex Head 5/16 - 18 x 2.34
18	5798 Nut, Lock 5/16 - 18 UNC	52	14423 Bushing
19	5798 Nut, Lock 5/16 - 18 UNC	53	14423 Bushing
20	5798 Nut, Lock 5/16 - 18 UNC	54	74397 Battery Cap
21	5798 Nut, Lock 5/16 - 18 UNC	55	74397 Battery Cap
22	5798 Nut, Lock 5/16 - 18 UNC	56	3880P 5/16 - 18 x 3/4
23	5798 Nut, Lock 5/16 - 18 UNC	57	3880P 5/16 - 18 x 3/4
24	5798 Nut, Lock 5/16 - 18 UNC	58	6924 Screw, Phillips P.H. Engine
25	5798 Nut, Lock 5/16 - 18 UNC	59	6924 Screw, Phillips P.H. Engine
26	5798 Nut, Lock 5/16 - 18 UNC	60	7205P Center Pin 272 x 24
27	5798 Nut, Lock 5/16 - 18 UNC	61	7205P Center Pin 272 x 24
28	5798 Nut, Lock 5/16 - 18 UNC	62	7205P Center Pin 272 x 24
29	5798 Nut, Lock 5/16 - 18 UNC	63	1135J Drift, L.H.
30	5798 Nut, Lock 5/16 - 18 UNC	64	1135J Drift, L.H.
31	5798 Nut, Lock 5/16 - 18 UNC	65	244J Wood Stop
32	5798 Nut, Lock 5/16 - 18 UNC	66	244J Wood Stop
33	5798 Nut, Lock 5/16 - 18 UNC	67	244J Wood Stop

*STANDARD HARDWARE—PURCHASE LOCALLY

REPAIR PARTS

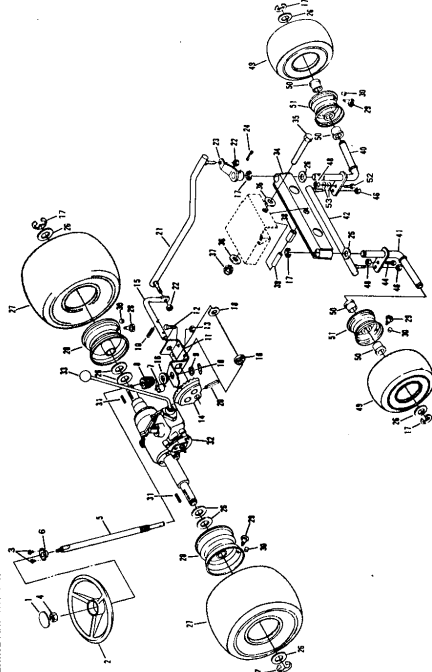
MOWER



36" RIDING LAWN TRACTOR-MODEL NUMBER L821BCR
 *PULLEY IS A STANDARD HARDWARE PURCHASE LOCALLY

REPAIR PARTS

STEERING AND WHEELS



36" RIDING LAWN TRACTOR-MODEL NUMBER L821BCR

REPAIR PARTS

MOWER

REF. NO.	PART NO.	DESCRIPTION
1	3199P	Hex Bolt 3/8" x 2 1/4" Gr. 5
2	67284A	Clutch Wheel Assembly
3	545P	Nut, Lock 3/8" - 16 UNC
4	9479R	Cap Lever Plunger
5	8569R	Spring
6	8569R	Spring
7	1599P	Washer, 1/102 x 3/4 x 18 Ga.
8	71300	Bolt, Carriage 5/16" - 18 x 3/4 Gr. 5
9	67237	Adjustment Rod
10	576P	Locknut Washer 3/8" - 16 UNC
11	2503P	"Cover Pin 3/32 x 3/4
12	17172	"Screw, Pan Hd. Machine 1/4" - 20 x 1
13	3224P	"Screw, Pan Hd. Machine 1/4" - 20 x 1
14	29514	Pin, Chain
15	71337	Pin, Chain
16	71337	Pin, Chain
17	71815	Pin, Chain
18	1615P	Spacer
19	1615P	Spacer
20	1615P	Spacer
21	1615P	Spacer
22	1615P	Spacer
23	1615P	Spacer
24	1615P	Spacer
25	1615P	Spacer
26	1615P	Spacer
27	1615P	Spacer
28	1615P	Spacer
29	1615P	Spacer
30	1615P	Spacer
31	1615P	Spacer
32	1615P	Spacer
33	1615P	Spacer
34	1615P	Spacer
35	1615P	Spacer
36	1615P	Spacer
37	1615P	Spacer
38	1615P	Spacer
39	1615P	Spacer
40	1615P	Spacer
41	1615P	Spacer
42	1615P	Spacer
43	1615P	Spacer
44	1615P	Spacer
45	1615P	Spacer
46	1615P	Spacer
47	1615P	Spacer
48	1615P	Spacer
49	1615P	Spacer
50	1615P	Spacer
51	1615P	Spacer
52	67284	Clutch Wheel Assembly
53	545P	Nut, Lock 3/8" - 16 UNC
54	9479R	Cap Lever Plunger
55	8569R	Spring
56	8569R	Spring
57	1599P	Washer, 1/102 x 3/4 x 18 Ga.
58	71300	Bolt, Carriage 5/16" - 18 x 3/4 Gr. 5
59	67237	Adjustment Rod
60	576P	Locknut Washer 3/8" - 16 UNC
61	2503P	"Cover Pin 3/32 x 3/4
62	17172	"Screw, Pan Hd. Machine 1/4" - 20 x 1
63	3224P	"Screw, Pan Hd. Machine 1/4" - 20 x 1
64	29514	Pin, Chain
65	71337	Pin, Chain
66	71337	Pin, Chain
67	71815	Pin, Chain
68	1615P	Spacer
69	1615P	Spacer
70	1615P	Spacer
71	1615P	Spacer
72	1615P	Spacer
73	1615P	Spacer
74	1615P	Spacer
75	1615P	Spacer
76	1615P	Spacer
77	1615P	Spacer
78	1615P	Spacer
79	1615P	Spacer
80	1615P	Spacer
81	1615P	Spacer
82	1615P	Spacer
83	1615P	Spacer
84	1615P	Spacer
85	1615P	Spacer
86	1615P	Spacer
87	1615P	Spacer
88	1615P	Spacer
89	1615P	Spacer
90	1615P	Spacer
91	1615P	Spacer
92	1615P	Spacer
93	1615P	Spacer
94	1615P	Spacer
95	1615P	Spacer
96	1615P	Spacer
97	1615P	Spacer
98	1615P	Spacer
99	1615P	Spacer
100	1615P	Spacer

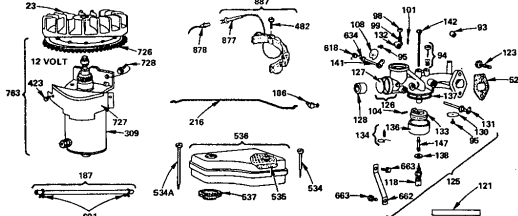
REPAIR PARTS

STEERING AND WHEELS

REF. NO.	PART NO.	DESCRIPTION
1	1114J	Steering Wheel Inset
2	561P	Steering Wheel
3	561P	Steering Wheel
4	561P	Steering Wheel
5	1599J	Nut, Lock 1/2" Type AB
6	1599J	Nut, Lock 1/2" Type AB
7	1599J	Nut, Lock 1/2" Type AB
8	1599J	Nut, Lock 1/2" Type AB
9	1599J	Nut, Lock 1/2" Type AB
10	1599J	Nut, Lock 1/2" Type AB
11	1599J	Nut, Lock 1/2" Type AB
12	1599J	Nut, Lock 1/2" Type AB
13	1599J	Nut, Lock 1/2" Type AB
14	1599J	Nut, Lock 1/2" Type AB
15	1599J	Nut, Lock 1/2" Type AB
16	1599J	Nut, Lock 1/2" Type AB
17	1599J	Nut, Lock 1/2" Type AB
18	1599J	Nut, Lock 1/2" Type AB
19	1599J	Nut, Lock 1/2" Type AB
20	1599J	Nut, Lock 1/2" Type AB
21	1599J	Nut, Lock 1/2" Type AB
22	1599J	Nut, Lock 1/2" Type AB
23	1599J	Nut, Lock 1/2" Type AB
24	1599J	Nut, Lock 1/2" Type AB
25	1599J	Nut, Lock 1/2" Type AB
26	1599J	Nut, Lock 1/2" Type AB
27	1599J	Nut, Lock 1/2" Type AB
28	1599J	Nut, Lock 1/2" Type AB
29	1599J	Nut, Lock 1/2" Type AB
30	1599J	Nut, Lock 1/2" Type AB
31	1599J	Nut, Lock 1/2" Type AB
32	1599J	Nut, Lock 1/2" Type AB
33	5582	Roller Bar Assembly
34	677A91	Roller Bar Assembly
35	1615P	Spacer
36	1615P	Spacer
37	1615P	Spacer
38	1615P	Spacer
39	1615P	Spacer
40	1615P	Spacer
41	1615P	Spacer
42	1615P	Spacer
43	1615P	Spacer
44	1615P	Spacer
45	1615P	Spacer
46	1615P	Spacer
47	1615P	Spacer
48	1615P	Spacer
49	1615P	Spacer
50	1615P	Spacer
51	1615P	Spacer
52	1615P	Spacer
53	1615P	Spacer
54	1615P	Spacer
55	1615P	Spacer
56	1615P	Spacer
57	1615P	Spacer
58	1615P	Spacer
59	1615P	Spacer
60	1615P	Spacer
61	1615P	Spacer
62	1615P	Spacer
63	1615P	Spacer
64	1615P	Spacer
65	1615P	Spacer
66	1615P	Spacer
67	1615P	Spacer
68	1615P	Spacer
69	1615P	Spacer
70	1615P	Spacer
71	1615P	Spacer
72	1615P	Spacer
73	1615P	Spacer
74	1615P	Spacer
75	1615P	Spacer
76	1615P	Spacer
77	1615P	Spacer
78	1615P	Spacer
79	1615P	Spacer
80	1615P	Spacer
81	1615P	Spacer
82	1615P	Spacer
83	1615P	Spacer
84	1615P	Spacer
85	1615P	Spacer
86	1615P	Spacer
87	1615P	Spacer
88	1615P	Spacer
89	1615P	Spacer
90	1615P	Spacer
91	1615P	Spacer
92	1615P	Spacer
93	1615P	Spacer
94	1615P	Spacer
95	1615P	Spacer
96	1615P	Spacer
97	1615P	Spacer
98	1615P	Spacer
99	1615P	Spacer
100	1615P	Spacer

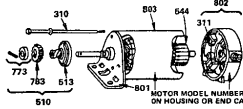
REPAIR PARTS

36" RIDING LAWN TRACTOR-MODEL NUMBER L8218CR
BRIGGS & STRATTON 8 H.P. ENGINE-MODEL NO. 191707, TYPE NO. 5627-01
AIR CLEANER, CARBURETOR AND FLYWHEEL GROUP



KEY NO.	PART NO.	DESCRIPTION	KEY NO.	PART NO.	DESCRIPTION
23	391983	Flywheel and Ring Gear Assy. - Magneto	218	281117	Link Choke
52	219924	Gasket - Carburetor Mounting	309	392749	Motor and Drive Assy. (See Break-down of Parts Below)
53	23108	Bushing - Throttle Shaft	423	93410	Screw - Sem
64	291691	Valve Assembly - Carburetor Idle			
66	63499	Screw - Throttle and Choke Valve Mtg. Sem	482	93621	Screw - Sem
68	81920	Screw - Machine Fill. Hd. 8-32 x 5/8"			
69	26157	Spring - Throttle Adjustment			
101	83043	Pin - Throttle Stop			
104	230696	*Pin - Float Hinge	534	93622	Screw - Air Cleaner
118	391233	*Valve Needle	534A	93323	Screw - Air Cleaner
121	298852	Carburetor Overhaul Kit	536	279528	Element - Air Cleaner
123	83357	Screw - Carburetor Mtg.	536	391399	Cleaner Assembly - Air
126	390811	Carburetor Assembly	601	53063	Support - Air Cleaner Element (Plastic)
126	298851	Body Assembly - Carburetor	637	270839	Gasket - Air Cleaner
127	221997	*Plug - Wadlet	637	33063	Clamp - Fuel Pipe
128	211862	Venturi - Carburetor	618	281118	Spring - Choke Return
130	221988	Valve - Throttle	634	210362	Washer - Choke Shaft
131	391512	Shaft and Lever - Throttle	662	222927	Bracket - Carburetor
132	211712	Stop - Throttle	663	93617	Screw
133	298707	Float - Carburetor	663	39134	Gear - Ring
134	298696	Float - Fuel Inlet	727	390233	Cover and Shield - Starter
136	221895	Bowl - Float	728	39023	Screw - Sem
137	218611	Gasket - Float Bowl	877	393814	Diode & Conn. Assembly
138	222014	Washer - Float Bowl	878	393422	Alt. Harness Assembly
141	390664	Shaft and Lever - Choke	887	391529	Stator-Alternator
142	299140	Nozzle - Carburetor			
147	23282	Screw - Nozzle			
186	87216	Connector - Fuel Pipe			
187	299004	Pipe - Fuel			

STARTER MOTOR GROUP

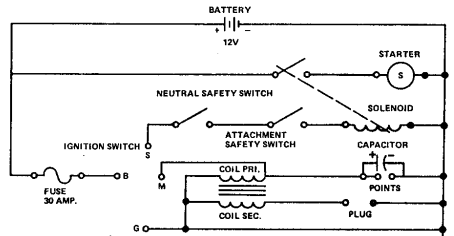


KEY NO.	PART NO.	DESCRIPTION
310	391709	Thru Bolt Assy.
311	391708	Brush Assy.
510	391481	*Drive Assy.
544	392747	Armature Assy.
801	391751	End Cap Assy. Drive
802	390846	End Cap Assy. Commutator
803	392744	Housing Assy.

* Includes Brush Set
* Includes No. 39135 Clutch Assy. (Key No. 513)
* Includes No. 890194 Gear (Key No. 783)
* Includes No. 391462 Retainer and Pin (Key No. 773)

REPAIR PARTS

36" RIDING LAWN TRACTOR-MODEL NUMBER L8218CR
SCHEMATIC DIAGRAM



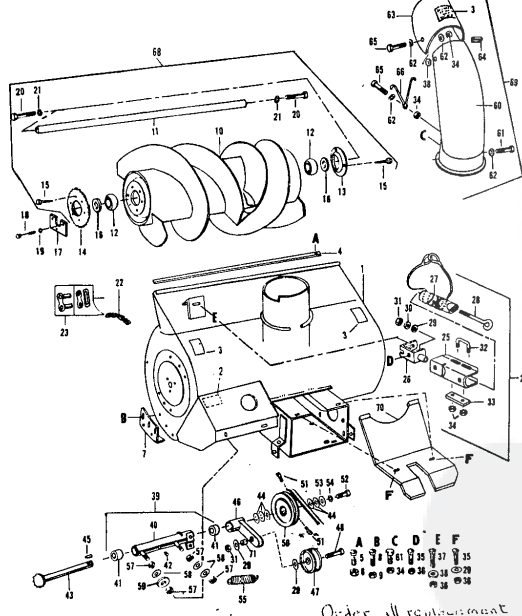
IGNITION SWITCH	
POSITION	CIRCUIT
OFF	M-G
ON	B-L
START	B-S

WIRING INSULATED CLIPS

If Insulated Clips were removed for servicing of unit, they should be replaced to properly secure your wiring. There are three Insulated Clips on your Tractor.

1. L.H. side of Tractor for safety switch wires (Key No. 28, page 14).
2. R.H. side of Tractor securing wire harness and cable wire (Key No. 31, page 14).
3. Headlight wire (Key No. 26, page 14).

36" ROPER SNOW THROWER LAO49AR



E519 (10.1.78)

Order all replacement parts for this model snow thrower from
HABAN MFG CO
100 WILSON PARKWAY
RACINE, WIS. 53407

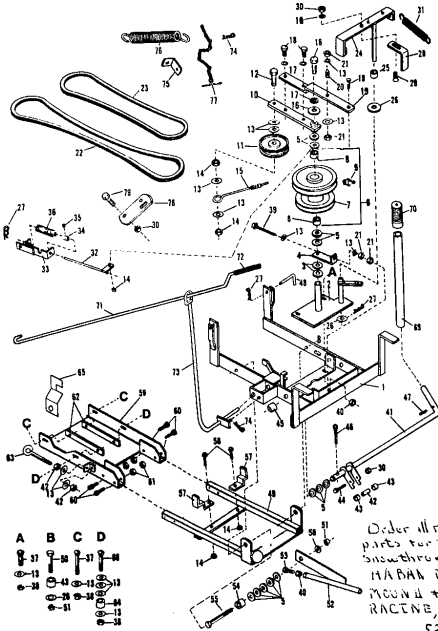
36" ROPER SNOW THROWER LAO49AR

Ref. No.	Part No.	Description	No. Req.	Ref. No.	Part No.	Description	No. Req.
1	11372	Assy-Header & Decal	1	38	4506	* Washer-13/32 x 1-1/2 x 16 ga.	3
2	9713	Decal	1	39	11378	Assy-Jackshaft hsg. & Bushings	1
3	9663	Decal-Warning	3	40	11379	Assy-Jackshaft hsg.	1
4	3013	Blade-Scraper	1	41	3034	Bushing	2
5	7090	* Bolt-1/4-20 x 5/8 carriage	7	42	5074	* Fitting-Grease	1
6	GM271178	* Nut & Lock washer 1/4-20 hex.	2	43	3143	Assy-Jackshaft & sprocket	1
7	3045	Shoe-Skid	7	44	3396	* Washer-49/64 x 1-1/2 x .058 flat	1
8	STD533107	* Bolt-5/16-18 x 3/4 carriage	6	45	STD580103	* Key-3/16 sq. x 1	1
9	GM271184	* Nut & Lock washer 5/16-18 hex	6	46	11381	Assy-Idler Arm	1
10	9044	Assy-Auger	1	47	11496	Assy-Idler Pulley	1
11	8350	Shaft-Auger	1	48	STD 723725	* Bolt - 3/8-16 x 2-1/2 hex hd	1
12	9052	Bearing-Auger Shaft	2	50	1384	Assy-Pulley & Hub	1
13	5473	Flange-Bearing	1	51	GM-142671	* Screw-Set 5/16-18 x 1/2 sq hd cap pt	2
14	8287	Sprocket-Auger (35 tooth)	1	52	STD523707	* Bolt-3/8-16 x 3/4 hex hd	1
15	9131	* Screw-5/16-18 x 3/4 Self-tapping	9	53	G4446363	* Washer-3/8 x 7/8 x .063 flat	1
16	4143	* Washer-1-1/32 x 1-1/2 x 1/8 flat	2	54	STD551137	* Washer-3/8 med lock Spring	1
17	8185	Plate-Auger mounting	1	55	3059	Washer	1
18	STD523106	* Bolt-5/16-18 x 5/8 hex hd	3	57	STD541050	* Nut-1/2-13 hex	4
19	STD551131	Washer-5/16 med lock	2	58	GM120389	* Washer-1/2 x 1-1/4 x .063 flat	3
20	STD525012	* Bolt-1/2-13 x 1-1/4 hex hd	2	59	6979	Washer	1
21	STD551150	Washer-1/2 med lock	2	60	4957	Assy-Deflector & Elbow	2
22	3911	Chain-Auger Drive (70 links)	1	61	STD522510	* Bolt-1/4-20x1/2 hex hd	2
23	8456	Repair Kit for Chain Bracket	1	62	3903	Washer-Cable	6
24	9283	Assy-Stack Drive	1	63	9766	Assy-Deflect & Deflector	1
25	9030	Shroud-Stack Drive	1	64	6558	Molding-Deflector	1
26	9032	Assy-Brt. & Tube	1	65	STD522507	* Bolt-1/4-20 x 3/4 hex hd	3
27	8346	Assy-Cable, Tube & Sleeves	1	66	3076	Hook-Lift Spring	1
28	3955	Eye Bolt-Drive Tube	1	68	9043	Assy-Auger (16) Comp.	1
29	GM120388	* Washer-7/16 x 1 x .063 flat	5	69	6457	Elbow	1
30	4772	Spring-Washer	1	70	11420	Guard-Drive Pulley	1
31	STD541437	Nut-3/8-16 hex lock	2	71	5711	Spacer	1
32	8236	U-Bolt-Level Wind	1				
33	8399	Strap-Friction	1				
34	STD541425	* Nut-1/4-20 hex lock	6				
35	STD533707	* Bolt-3/8-16 x 3/4 carriage	3				
36	GM271190	* Nut & Lock Washer 3/8-16 hex	4				
37	STD533710	* Bolt-3/8-16 x 1 carriage	1				

E520 (10.1.78)

*standard hardware - purchased locally

36" ROPER SNOW THROWER LA049AR



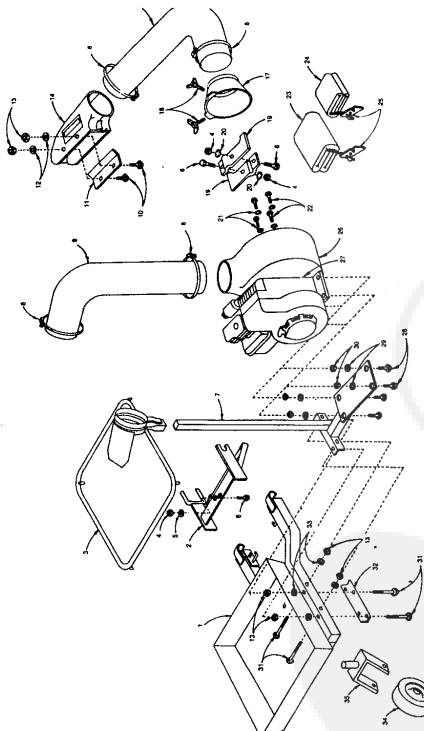
E521 (10.1.78)

36" ROPER SNOW THROWER LA049AR

Ref. No.	Part No.	Description	No. Req.	Ref. No.	Part No.	Description	No. Req.
1	11449	Assy - Mounting Frame (Upper)	1	41	7925	Assy - Lift Bar	1
2	11401	Assy - Pulley Mtg. Brkt.	1	42	3027	Spacer	1
3	STD551075	*Washer - 13/16 x 1-1/2 x .134 flat	1	43	1346	Spacer	1
4	11403	Bracket - 49/64 x 1-1/2	12	44	STD523120	Bolt - 5/16-18 x 2 hex	1
5	3396	*Washer - 49/64 x 1-1/2	12	45	6179	Spacer	1
6	9775	Assy - Pulley Hsg (comp)	1	46	GM120123	Pin - Cotter (1/8 x 1 1/2)	1
7	9776	Assy - Pulley Hsg.	1	47	STD551810	Pin - Locating	1
8	8689	Bearing - Needle	2	48	5736	Assy - Mounting Frame	1
9	5074	*Fitting - Grease	1	49	9778	Bolt - 1/2-13 x 1-1/2 hex hd	2
10	11404	Assy - Clutch Arm	1	51	STD541450	Nut - 1/2-13 hex lock	1
11	11496	Idler pulley	1	52	9786	Assy - Lift brkt.	1
12	STD723725	*Bolt - 3/8-16 x 2-1/2 hex hd	1	53	6441	Bolt - 3/8-16 x 2 hex hd full thd	1
13	GM120388	*Washer - 7/16 x 1" x .083 flat	24	54	11285	Spacer	1
14	STD541437	*Nut - 3/8-16 hex lock	5	55	STD525020	Bolt - 1/2-13 x 2 hex	1
15	11486	Washer - Bolt Gauge	1	56	GM120389	*Washer - 1/2 x 1-1/4 x .083 flat	1
16	GM446363	*Washer - 3/8 x 7/8 x .083 flat	2	57	11461	Stop - Position	2
17	STD551137	*Washer - 3/8 med lock	3	58	STD523710	Bolt - 3/8-16 x 1 hex	2
18	STD523707	*Bolt - 3/8-16 x 3/4 hex hd	4	59	11417	Assy - Pivot Brkt. channel	1
19	11407	Bracket - Clutch Lever	1	60	STD523117	Bolt - 5/16-18 x 1-3/4 hex hd	4
20	11410	Stud - Brake Release	1	61	STD541431	*Nut - 5/16-18 hex lock	4
21	STD541237	*Nut - 3/8-16 hex jam	4	62	11418	Strap - Header Channel	2
22	11361	V-belt	1	63	3058	Eye Bolt	2
23	11367	V-belt	1	64	5713	Spacer	2
24	11442	Assy - Belt Brake	1	65	11419	Bracket	1
25	6017	Spacer	3	66	GM126422	Bolt - 3/8-16 x 2-1/4 carriage	2
26	STD551050	*Washer - 17/32 x 1 1/16 x .095	3				
27	STD624005	*Pin - Hair	4	69	6078	Handle - Lift	1
28	11414	Popper - V-belt	1	70	3339	Grip - Handle	1
29	STD533110	*Bolt - 5/16-18 x 1" carriage	1	71	4355	Roll - Crank	1
30	GM271184	*Nut & L washer 5/16 -18 hex	6	72	10840	Handle - Grip	1
31	3059	Spring	1	73	11430	Assy - Crank Support	1
32	11458	Assy - Clutch Rod	1	74	STD624010	Pin - Hair Cotter	2
33	11019	Assy - Clutch Brkt.	1	75	7630	Bracket	1
34	10817	Collar	1	76	4798	Spring - Lift	1
35	4122	*Set Screw - 5/16-18 x 5/16 socket	1	77	5737	Assy - Chain & Toggle	1
36	3077	Spring	1	78	9222	Strap - Rear Mtg.	2
37	STD533710	*Bolt - 3/8-16 x 1 carr	4	79	STD523108	Bolt - 5/16-18 x 5/8 hex hd	4
38	GM271190	*Nut & L washer 3/8 -16 hex	6	NP	11558	Manual - Instruction and Repair	1
39	6475	*Bolt - 3/8-16 x 3-1/2 full thd hex hd	1				
40	STD541037	*Nut - 3/8-16 Lt hex	6				

E522 (10.1.78)

*Standard Hardware - Purchased Locally



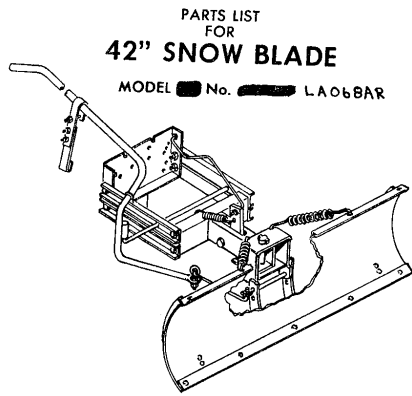
Repair Parts, PEC-301

REPAIR PARTS

LA049AR Model Number PEC-301

KEY NO.	PART NUMBER	DESCRIPTION	REQ'D.
1	C-1-A	Tray and Support Assembly	1
2	C-4-R	Hitch Assembly	1
3	C-2-A	Bag Support Ring	1
4	STD-541050	Hex Nut, 1/2-13	3
5	STD	Lockwasher, 1/2 SAE	1
6	STD-525015	Hex Bolt, 1/2-13 x 1-1/2	3
7	C-3-A	Engine Support and Upright	1
8	C-10-A	Hose Clamp, 6" Dia.	4
9	C-18-A	Flex Hose, 6" Dia. x 40" Long	1
10	STD-533710	Carriage Bolt, 3/8-16 x 1	2
11	C-23-A	Boot Clamp Plate	1
12	STD-51037	Flat Washer, 3/8 SAE	2
13	STD-541237	Hex Nut, 3/8-16	6
14	B-361	Boot, 36" Hower Deck	1
16	C-21-A	Flex Hose, 6" Dia. x 36" Long	1
17	C-9-A	Blower Cone, 6" Dia.	1
18	W516182N	Wing Bolt, 5/16-18 x 2	2
19	W516182N	Wing Nut, 5/16-18 x 2	2
19	C-11-A	Blower Blades (Set)	1
20	STD-551250	Internal Tooth Lockwasher, 1/2	2
21	STD-641231	Internal Tooth Lockwasher, 5/16	4
22	STD-623107	Hex Bolt, 5/16-24 x 7/8	4
23	C-16-A	Canvas Bag	1
24	C-17-A	Canvas Bag Cover	1
25	C-29-A	Full Cord Fastener	2
26	C-8-A	Blower Housing	1
27	143.654192	Tecumseh H35 45462L Model No. 143.654192	1
28	STD-523115	Hex Bolt, 5/16-18 x 1-1/2	4
29	STD-551131	Lockwasher, 5/16 SAE	4
30	STD-541131	Hex Nut, 5/16-18	4
31	STD-523725	Hex Bolt, 3/8-16 x 2-1/2	4
32	C-24-A	Reinforcing Angle	1
33	STD-551137	Lockwasher, 3/8 SAE	4
34	C-27-A	Wheel, 8-1/4" Dia. x 2-3/4 Wide	1
35	C-28-A	Caster Assembly	1
	PEC-301	Owner's Manual	1

Order All Replacement Parts For Model LA05 PE-CO 2807 Sweeten Creek Road, Asheville, N.C. 28803



42" SNOW BLADE KIT PARTS LIST

Order Parts From
Peeco Inc.
1902 South Main
South Bend, Ind
46613

Part No.	Description	Qty.	Part No.	Part No.	Description	Qty.	Part No.
1	Blade Assembly	1	110001	19	Latch, Lower	1	110071
2	Drawbar Assembly	1	110004	20	Screw, Hex. Hd. Cap (5/16" x 1 1/2")	2	20059
3	Frame Assembly	1	110002	21	Screw, Hex. Hd. Cap (5/16" x 1 1/2")	1	20060
4	Parallel Bar Assembly - Upper	1	110005	22	Screw, Hex. Hd. Cap (3/8" x 1 1/2")	8	20061
5	Parallel Bar Assembly - Lower	1	110006	23	Screw, Hex. Hd. Cap (3/8" x 1 1/2")	1	20043
6	Frame Mount Assembly	1	110007	24	Bolt, Chelega (1/4" x 3 1/4")	5	110010
7	Handle Assembly	1	120001	25	Bolt, Chelega (1/4" x 1 3/4")	4	110044
8	Blade Grip	1	20001	26	Bolt, Flat (1/4" x 1 1/2")	1	110045
9	Link, Index	1	20002	27	Washer, Med. Splitlock (1/4")	5	20010
10	Link, Pivot	1	20003	28	Washer, Med. Splitlock (3/8")	5	20011
11	Bar, Index	1	110008	29	Washer, Med. Splitlock (3/8")	5	20012
12	Latch, Upper	1	110007	30	Washer, Flat (5/16" x 3/4")	5	20018
13	Spring, Blade	2	80001	31	Nut, Hex (1/4" x 1/2")	8	20019
14	Spring, Tension	1	80001	32	Nut, Hex (5/16" x 1/2")	5	20020
15	Pin, Quarter	2	20002	33	Nut, Hex (5/16" x 1/2")	5	20021
16	Rod, Control	1	20003	34	Pin, Coner (1/8" x 1")	5	20015
17	Shower, Parallel Bar	8	12005	35	Nut, Hex (5/16" x 1/2")	5	20022
18	Extension, Handle	1	20004	36	Handle Bar Grip	1	80001

MINIMUM PARTS ORDER \$5.00. ALL STANDARD HARDWARE ITEMS MAY BE PURCHASED LOCALLY.