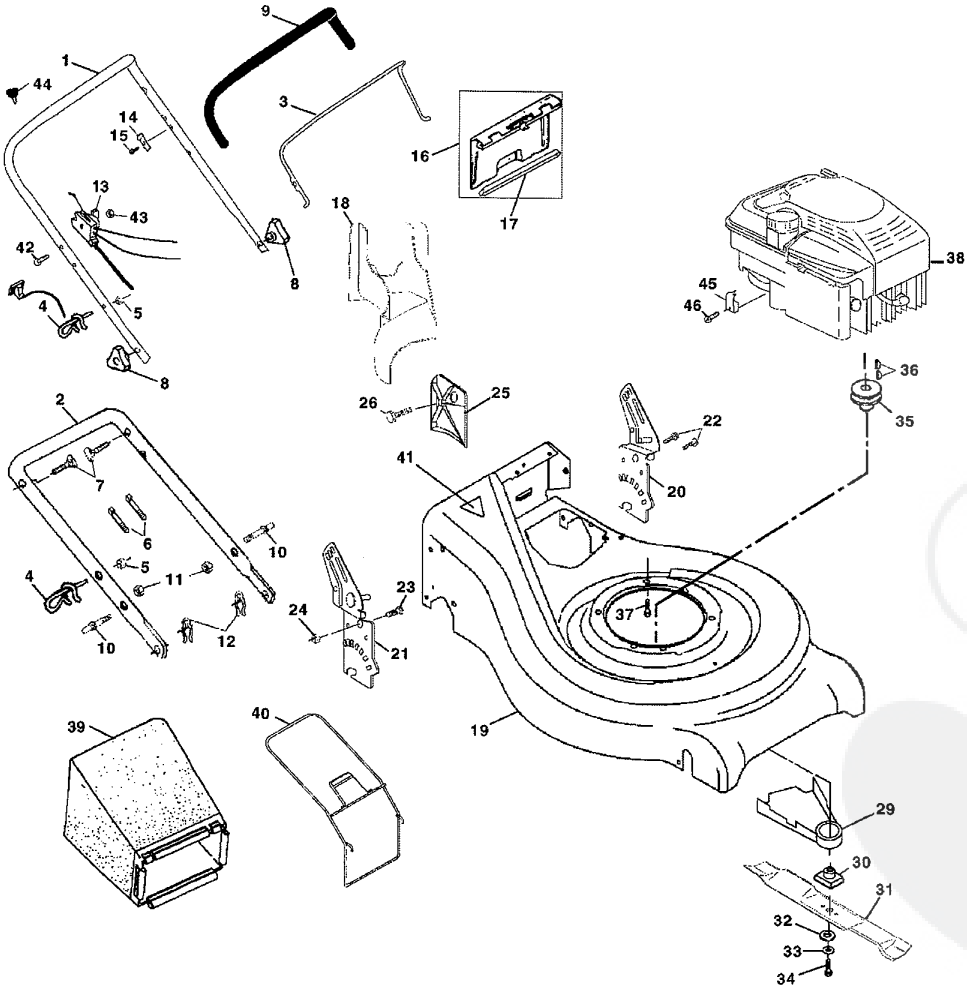


REPAIR PARTS

ROTARY LAWN MOWER - - MODEL NO. SN45ECPB



REPAIR PARTS

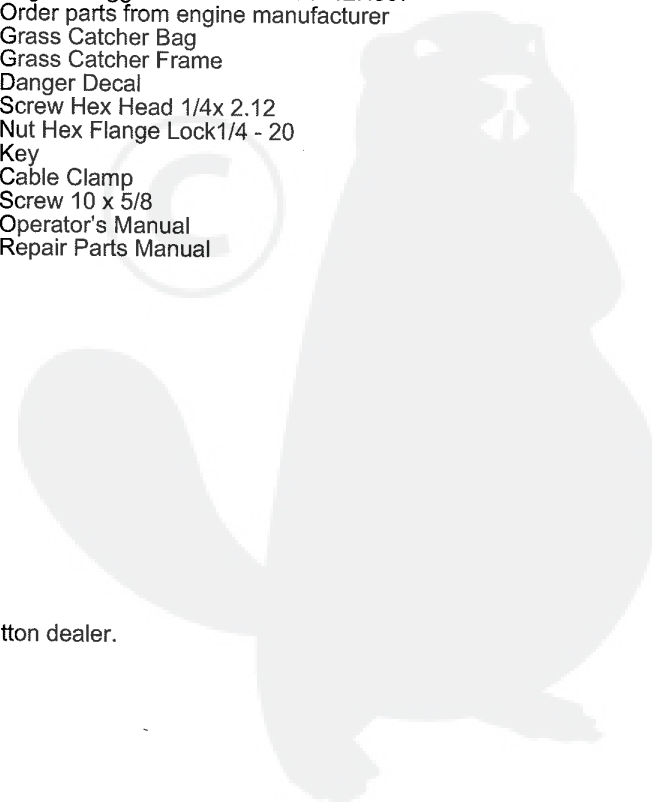
ROTARY LAWN MOWER - - MODEL NO. SN45ECPB

KEY NO.	PART NO.	DESCRIPTION
1	165542	Handle, Upper Dlx Comf.
2	161105X479	Handle, Lower
3	131036	Bail, Cont. Wire Dlx Comf. Blk
4	132001	Guide, Rope, Side
5	63601	Nut, Hex Lockwasher 1/4-20
6	66426	Wire, Tie
7	131959	Bolt, Handle 5/16-18 x 1.75
8	87692	Knob, Handle
9	164265	Grip, Hdl Foam Smooth
10	161551	Bolt, Sq. Neck
11	73990500	Nut, Hex Lockwasher Ins. 5/16-18 UNC
12	51793	Cotter, Hairpin
13	163837	Combi-Key control
14	850733X004	Bracket, Upstop
15	83816	Screw, Hex Washer Head Tapping 10-2
16	162085	Kit, Door Rear
17	161548	Seal, Door
18		Plug, Mulcher
19	162097	Kit, Housing
20	161568X479	Handle, Bracket
21	161569X479	Handle, Bracket Asm. Right
22	150078	Screw, Hex Wshd
23	163183	Bolt, Hex Head 5/16-18 x 5/8
24	63124	Nut, Hex Lock Wshr 5/16-18

3

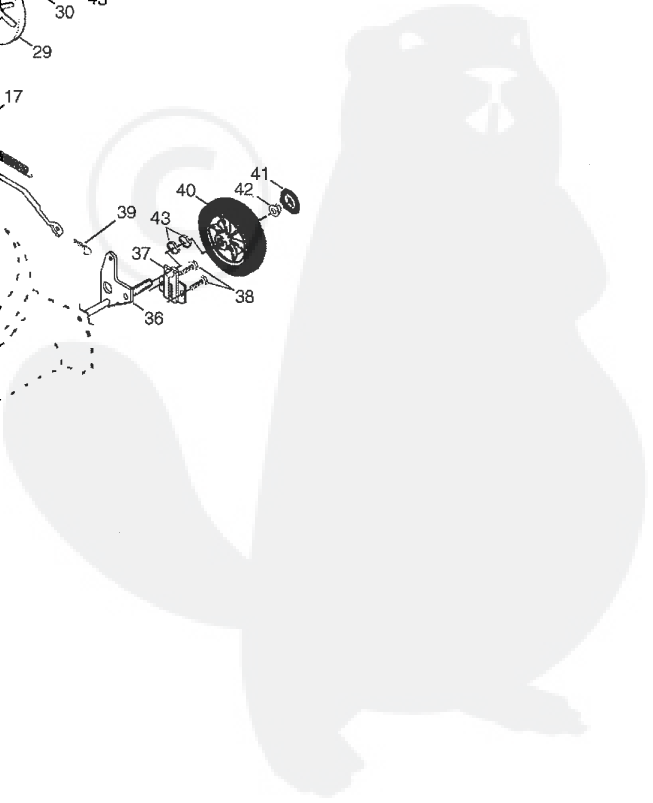
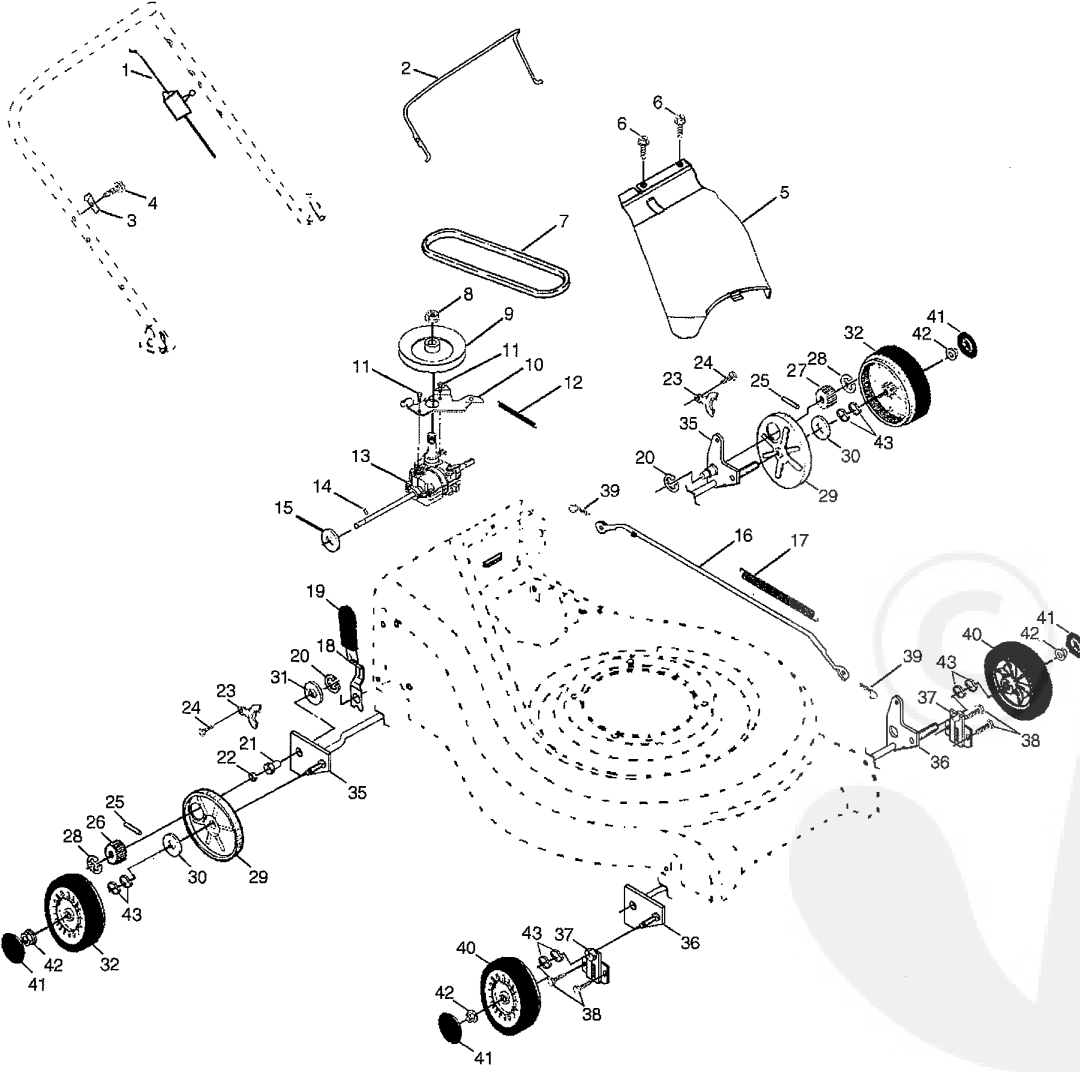
KEY NO.	PART NO.	DESCRIPTION
25	161333	Baffle, Side
26	163409	Screw 12 x 5/8
29	134612	Shield, Debris Modified
30	851514	Adapter
31	159267	Blade, 21"
32	851074	Washer, Hardened
33	850263	Lockwasher, Helical Spring 3/8
34	851084	Screw, Hex Head 3/8-24 x 1.38
35	165604	Pulley, Engine
36	87677	Key, Hi Pro
37	150406	Bolt, Engine
38	-----	Engine Briggs & Stratton Model 12H807 Order parts from engine manufacturer
39	165844	Grass Catcher Bag
40	161358	Grass Catcher Frame
41	145494	Danger Decal
42	144929	Screw Hex Head 1/4x 2.12
43	751152	Nut Hex Flange Lock1/4 - 20
44	122147X	Key
45	111190X	Cable Clamp
46	83816	Screw 10 x 5/8
--	162095	Operator's Manual
--	167302	Repair Parts Manual

* These parts must be purchased through an authorized Briggs & Stratton dealer.



REPAIR PARTS

ROTARY LAWN MOWER - - MODEL NO. SN45ECPB



REPAIR PARTS

ROTARY LAWN MOWER - - MODEL NO. SN45ECPB

KEY NO.	PART NO.	DESCRIPTION
1	161587	Cable Drive
2	161473	Bail Control Drive
3	161478X004	Bracket, Downstop
4	83816	Screw Hex Wash Head Tapping 10-2
5	161552	Cover Drive
6	750634	Screw Thdrol 10-25 x .50
7	160816	V-Belt
8	132010	Nut Lock Flanged 3/8-16 Zinc
9	163939	Pulley Driven
10	160813X004	Belt Keeper
11	17541011	Screw Hex Wash Head 10-24 X .668
12	75192	Spring
13	161581	Transmission Asm.
14	145354	Pin Spring Thrust
15	57079	Washer Hardened
16	161584X479	Rod Connecting
17	161602	Spring Extension
18	160477X004	Spring Selector
19	161961	Knob Selector Spring
20	1200022	E-Ring 7/8

KEY NO.	PART NO.	DESCRIPTION
21	163365	Bearing Support
22	88060	Bearing Ball
23	161118X004	Retainer Drive Asm. Stmp.
24	57808	Screw Hex Head Tapping 1/4-20 x .75
25	851980	Drive Pawl
26	165096	Pinion, Drive RH
27	165097	Pinion, Drive LH
28	12000058	E-Ring 7/16
29	88080	Cover, Dust Wheel
30	67725	Washer 1/2 x 1-1/2 x .134
31	19572216	Washer
32	162062	Wheel 9 x 2
35	160785 X004	Shaft Asm. Rear
36	160786X004	Shaft Asm. Front
37	161463	Retainer Front Shaft
38	163409	Screw 12 x 5/8
39	700279	Clip Retainer
40	800333	Wheel 8 x 2
41	77400	Hubcap, Mag Platinum 8"
42	83923	Nut, Hex Flange Lock 3/8-16
43	57143	Wave Washer

5

