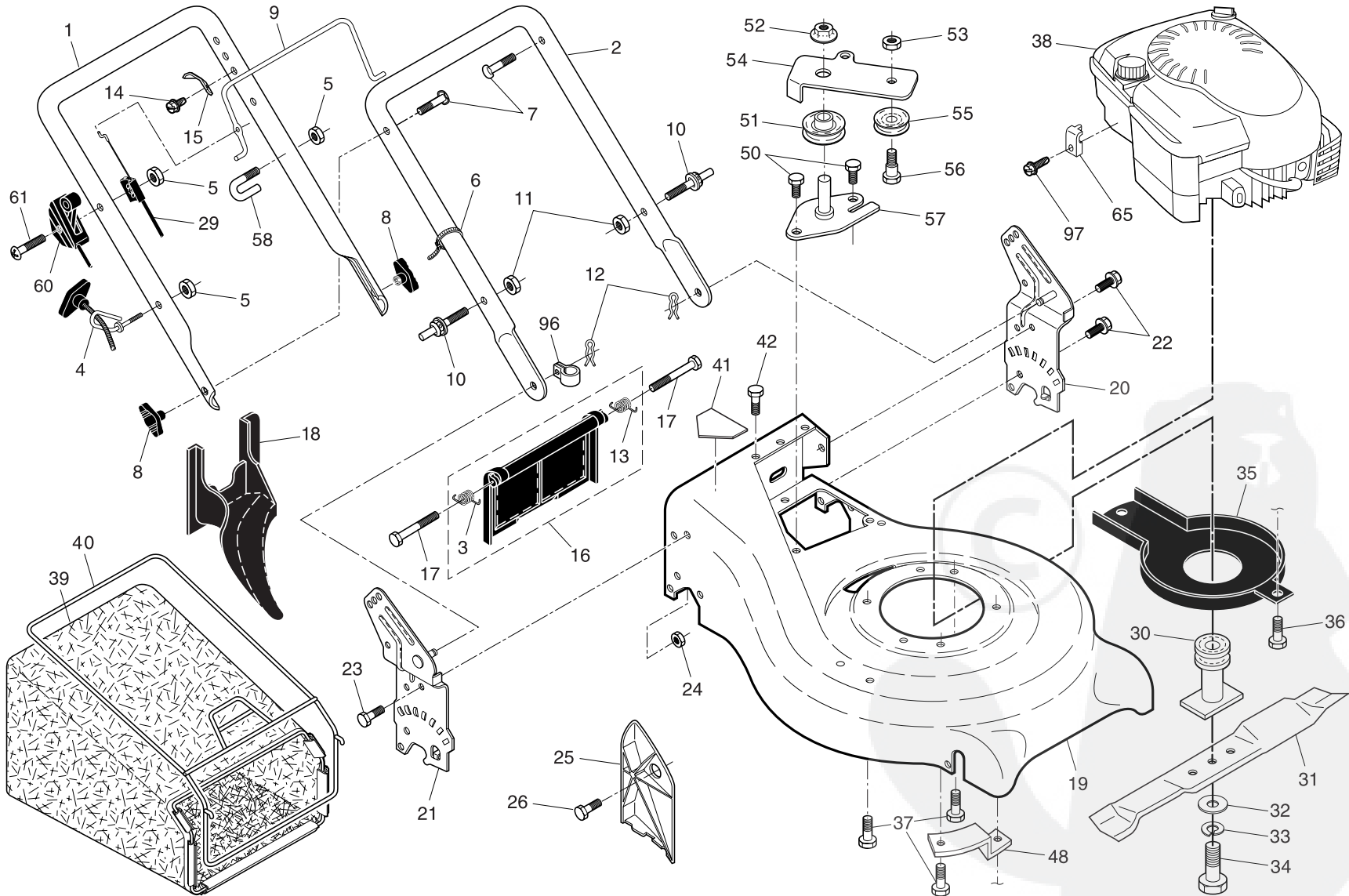


REPAIR PARTS MANUAL
MODEL NUMBER RE621C
(MFG. ID. NO. 96141003400)
Rotary Lawn Mower

Rally

ROTARY LAWN MOWER - - MODEL NUMBER RE621C (MFG. ID. NUMBER 96141003400)

2



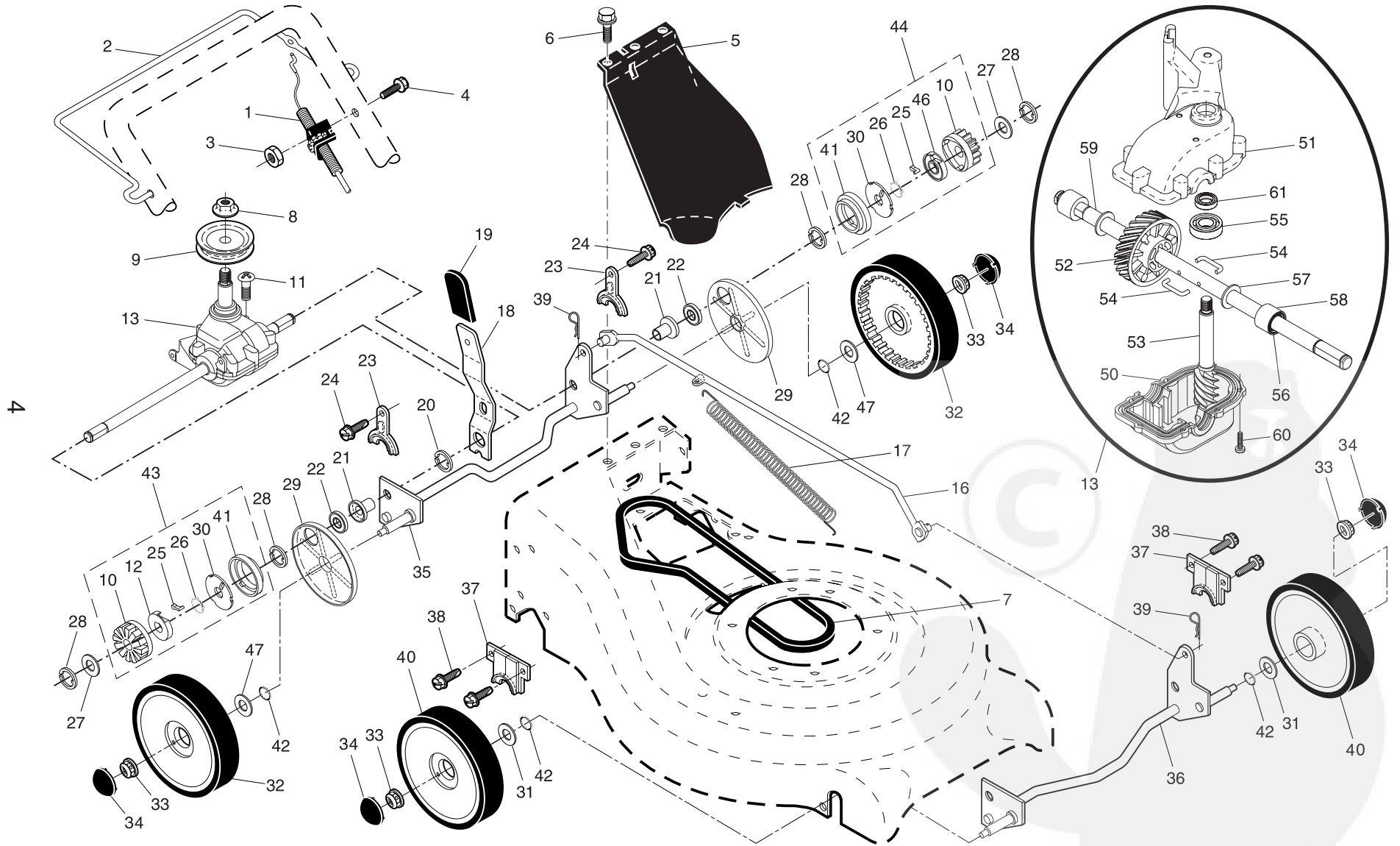
ROTARY LAWN MOWER - - MODEL NUMBER **RE621C** (MFG. ID. NUMBER 96141003400)

KEY NO.	PART NO.	DESCRIPTION	KEY NO.	PART NO.	DESCRIPTION
1	532 19 09-98	Handle, Upper	33	532 85 02-63	Washer, Lock
2	532 19 60-05	Handle, Lower	34	532 85 10-84	Bolt, Hex Head
3	532 18 60-53	Spring, Rear Door, RH	35	532 18 87-86	Debris Shield
4	532 17 95-85	Rope Guide	36	532 19 23-25	Screw, Machine #8
5	532 13 20-04	Nut, Hex, with Lockwasher Insert 1/4-20	37	532 15 04-06	Bolt, Engine
6	532 06 64-26	Wire, Tie	38	- - -	Engine, Briggs & Stratton, Model Number 12H802 (Order Parts From Engine Manufacturer)
7	532 19 15-74	Bolt, Handle 5/16-18 x 1.75	39	532 19 51-72	Grassbag
8	532 19 18-56	Knob, Handle	40	532 18 88-17	Frame, Grassbag
9	532 18 28-10	Control Bar	41	532 18 21-66	Danger Decal
10	532 18 88-21	Bolt, Carriage	42	532 05 45-83	Screw
11	873 99 05-00	Nut, Hex, with Lockwasher Insert 5/16-18 UNC	48	532 19 09-39	Mounting Bracket, Debris Shield
12	532 05 17-93	Hairpin, Cotter	50	532 05 78-08	Screw
13	532 18 60-52	Spring, Rear Door, LH	51	532 18 45-43	Pulley Assembly
14	532 75 06-34	Screw	52	532 14 52-12	Flange Nut
15	532 12 51-62	Bracket, Upstop	53	532 15 55-52	Locknut, Hex
16	532 19 58-80	Rear Door Assembly (Includes Springs)	54	532 18 58-98	Idler Arm
17	532 18 41-93	Bolt, Rear Door	55	532 16 60-43	Idler Pulley
18	532 18 75-35	Plug, Mulcher	56	532 16 08-29	Shoulder Bolt
19	532 19 58-30	Kit, Housing	57	532 18 58-99	Bracket Assembly
20	532 19 40-29	Handle Bracket Assembly, LH	58	532 18 20-03	Clip, Wireform, Packaging
21	532 19 40-31	Handle Bracket Assembly, RH	60	532 18 21-54	Throttle Control
22	532 15 00-78	Screw, Hex Washer Head	61	532 18 33-65	Screw, Hex Head 1/4-20 x 2
23	532 16 31-83	Bolt, Hex Head 5/16-18 x 5/8	65	532 11 11-90	Clamp, Cable
24	873 80 05-00	Locknut, Hex	96	532 19 27-70	Clip, Cable
25	532 16 13-33	Baffle, Side	97	532 08 38-16	Screw, Cable Clamp
26	532 16 34-09	Screw #12 x 5/8	--	532 18 21-34	Warning Decal (not shown)
29	532 13 31-07	Cable, Engine Zone Control	--	532 19 54-27	Operator's Manual, European
30	532 18 91-79	Blade Adapter / Pulley	--	532 19 54-29	Operator's Manual, Scandanivan
31	532 17 50-52	Blade, 21"	--	532 19 53-63	Repair Parts Manual
32	532 85 10-74	Washer			

NOTE: All component dimensions given in U.S. inches. 1 inch = 25.4 mm. **IMPORTANT:** Use only Original Equipment Manufacturer (O.E.M.) replacement parts. Failure to do so could be hazardous, damage your lawn mower and void your warranty.



ROTARY LAWN MOWER - - MODEL NUMBER RE621C (MFG. ID. NUMBER 96141003400)



ROTARY LAWN MOWER - - MODEL NUMBER **RE621C** (MFG. ID. NUMBER 96141003400)

KEY NO.	PART NO.	DESCRIPTION	KEY NO.	PART NO.	DESCRIPTION
1	532 18 91-81	Drive Control Assembly, Vari-Speed, with Cable	31	532 08 83-48	Washer, Flat 3/8
2	532 19 09-99	Control Bar, Drive	32	532 18 07-54	Wheel & Tire Assembly, Rear, Driven 9 x 2
3	532 75 11-52	Nut, Hex	33	532 08 39-23	Nut, Hex, Flangelock 3/8-16
4	532 18 56-81	Screw	34	532 07 74-00	Hubcap
5	532 19 55-46	Cover Drive	35	532 19 60-16	Shaft Assembly, Rear
6	532 75 06-34	Screw, Threaded, Rolled #10-25 x .50	36	532 19 60-15	Shaft Assembly, Front
7	532 18 22-12	V-Belt	37	532 16 14-63	Retainer, Front Shaft
8	532 13 20-10	Nut, Flangelock 3/8-16 Zinc Plated	38	532 16 34-09	Screw #12 x 5/8
9	532 18 94-08	Pulley, Drive	39	532 70 02-79	Clip, Retainer
10	532 17 51-03	Pinion, Gear	40	532 14 62-47	Wheel & Tire Assembly, Front 8 x 2
11	532 18 76-53	Screw	41	532 17 51-01	Seal, Friction
12	532 17 51-02	Retainer, Drive, RH	42	532 18 81-52	O-Ring
13	532 18 86-45	Gearcase Assembly, Complete	43	532 18 83-30	Pinion Assembly, RH
16	532 16 15-84	Rod, Connecting	44	532 18 83-31	Pinion Assembly, LH
17	532 16 16-02	Spring, Extension	46	532 17 51-05	Retainer, Drive, LH
18	532 19 61-62	Spring, Selector	47	532 06 77-25	Washer, Flat 1/2
19	532 19 00-69	Knob, Selector Spring	50	532 18 75-30	Case, Lower
20	812 00 00-22	E-Ring 7/8	51	532 18 75-31	Case, Upper
21	532 16 33-65	Bearing Support	52	532 18 75-32	Gear, 24 Teeth
22	532 16 99-11	Bearing, Ball	53	532 18 75-33	Shaft, Input
23	532 16 57-03	Retainer, Drive Assembly, Stamped	54	532 18 35-05	Wire, Formed
24	532 05 78-08	Screw, Hex Head, Tapping 1/4-20 x .75	55	532 18 35-06	Bearing, Ball
25	532 17 50-98	Pawl	56	532 18 35-08	Seal, Output Shaft
26	532 18 82-91	Spring, Torsion	57	532 18 35-09	Washer
27	532 05 21-60	Washer, Shim (as required)	58	532 18 35-11	Bushing
28	812 00 00-58	E-Ring 7/16	59	532 19 12-49	Shaft, Output
29	532 18 94-03	Cover, Dust, Wheel	60	532 18 35-13	Screw
30	532 17 51-04	Disc, Drive	61	532 18 35-14	Seal, Input Shaft

NOTE: All component dimensions given in U.S. inches. 1 inch = 25.4 mm. **IMPORTANT:** Use only Original Equipment Manufacturer (O.E.M.) replacement parts. Failure to do so could be hazardous, damage your lawn mower and void your warranty.



SERVICE NOTES



LIMITED WARRANTY

The Manufacturer warrants to the original consumer purchaser that this product as manufactured is free from defects in materials and workmanship. For a period of one (1) year from date of purchase by the original consumer purchaser, we will repair or replace, at our option, without charge for parts or labor incurred in replacing parts, any part which we find to be defective due to materials or workmanship. This Warranty is subject to the following limitations and exclusions.

1. This warranty does not apply to the engine, other than EHP manufactured transaxle/transmission components, battery (except as noted below) or components parts thereof. Please refer to the applicable manufacturer's warranty on these items.
2. Transportation charges for the movement of any power equipment unit or attachment are the responsibility of the purchaser. Transportation charges for any parts submitted for replacement under this warranty must be paid by the purchaser unless such return is requested by Electrolux Home Products.
3. Battery Warranty: On products equipped with a Battery, we will replace, without charge to you, any battery which we find to be defective in manufacture, during the first ninety (90) days of ownership. After ninety (90) days, we will exchange the Battery, charging you 1/12 of the price of a new Battery for each full month from the date of the original sale. Battery must be maintained in accordance with the instructions furnished.
4. The Warranty period for any products used for rental or commercial purposes is limited to 45 days from the date of original purchase.
5. This Warranty applies only to products which have been properly assembled, adjusted, operated, and maintained in accordance with the instructions furnished. This Warranty does not apply to any product which has been subjected to alteration, misuse, abuse, improper assembly or installation, delivery damage, or to normal wear of the product.
6. Exclusions: Excluded from this Warranty are belts, blades, blade adapters, normal wear, normal adjustments, standard hardware and normal maintenance.
7. In the event you have a claim under this Warranty, you must return the product to an authorized service dealer.

Should you have any unanswered questions concerning this Warranty, contact:

Electrolux Home Products, Inc.
Outdoor Products Customer Service Dept.
250 Bobby Jones Expressway
Augusta, GA 30909 USA

In Canada contact:
Electrolux Canada Corporation
7075 Ordan Drive
Mississauga, Ontario L5T 1K6

giving the model number, serial number and date of purchase of your product and the name and address of the authorized dealer from whom it was purchased.

THIS WARRANTY DOES NOT APPLY TO INCIDENTAL OR CONSEQUENTIAL DAMAGES AND ANY IMPLIED WARRANTIES ARE LIMITED TO THE SAME TIME PERIODS STATED HEREIN FOR OUR EXPRESSED WARRANTIES.

Some areas do not allow the limitation of consequential damages or limitations of how long an implied Warranty may last, so the above limitations or exclusions may not apply to you. This Warranty gives you specific legal rights, and you may have other rights which vary from locale to locale.

This is a limited Warranty within the meaning of that term as defined in the Magnuson-Moss Act of 1975.



Rally