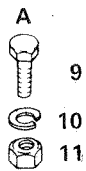
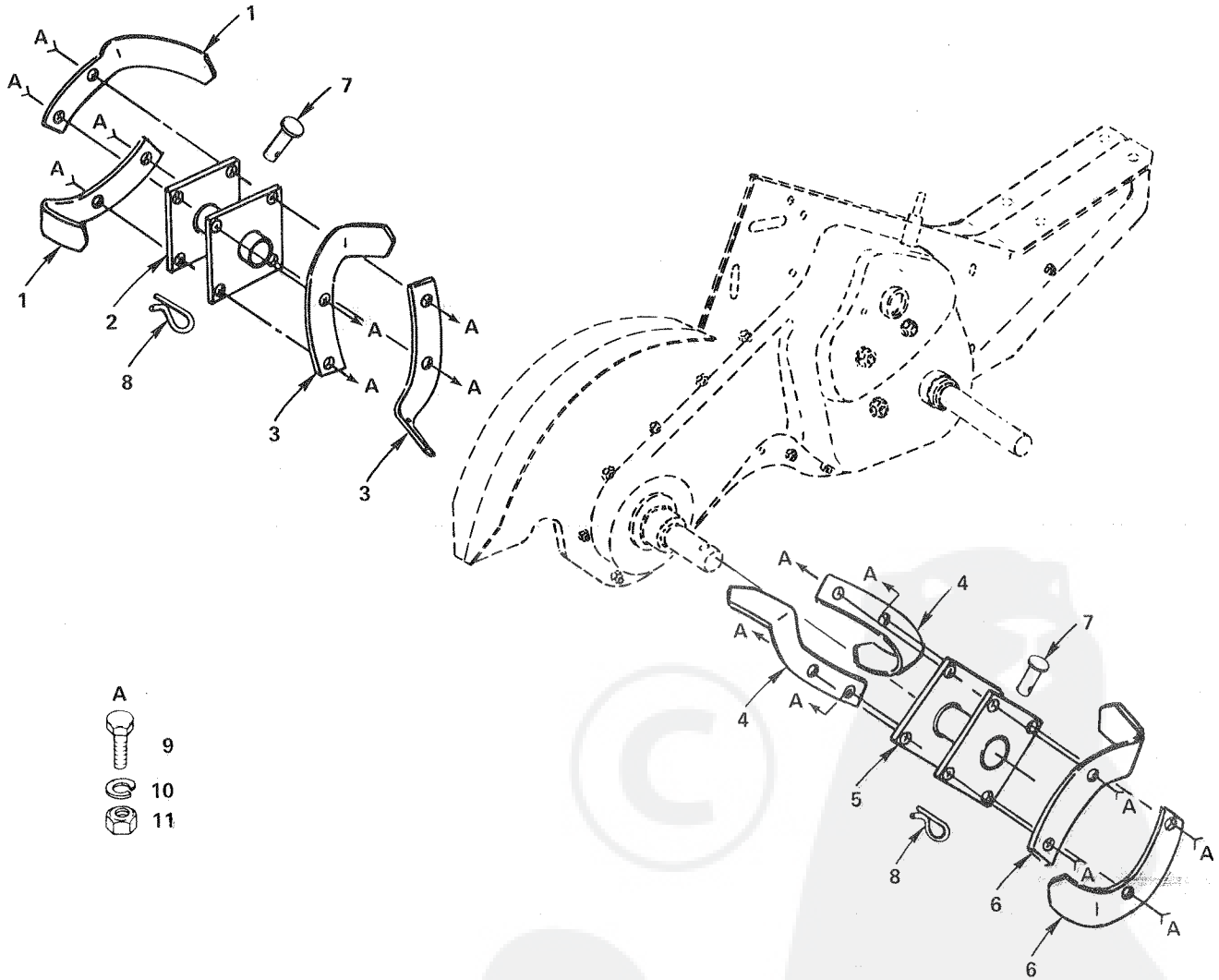


REPAIR PARTS

REAR TINE TILLER-MODEL NUMBER J3000AR

TINE ASSEMBLY



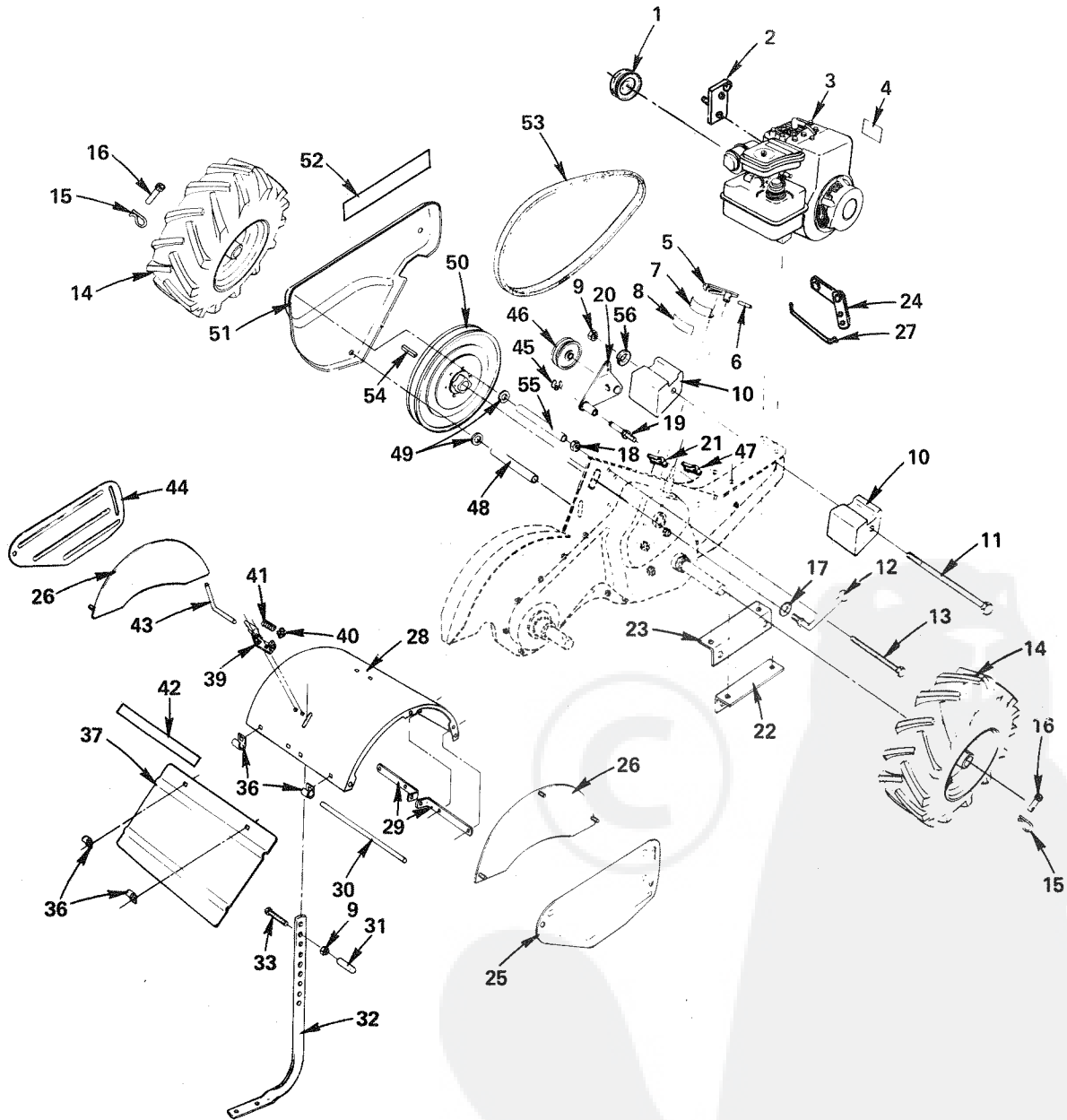
KEY NO.	PART NO.	DESCRIPTION
1	4459J	Tine - L.H.
2	102170X	Hub & Plate Assembly - L.H.
3	6554J	Tine - L.H.
4	6555J	Tine - R.H.
5	102172X	Hub & Plate Assembly - R.H.
6	4460J	Tine - R.H.
7	4929H	Rivet - Pan Hd. Drilled
8	3146R	Clip - Hairpin
9	74610616	*Bolt - Hex 3/8 - 24 x 1
10	10040600	*Washer - Lock 3/8
11	73610600	*Nut - Hex 3/8 - 24
---	108270X	Manual - Owners

*STANDARD HARDWARE--PURCHASE LOCALLY

REPAIR PARTS

REAR TINE TILLER--MODEL NUMBER J3000AR

MAIN FRAME



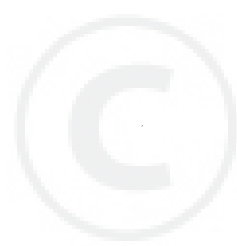
REPAIR PARTS

REAR TINE TILLER--MODEL NUMBER J3000AR

MAIN FRAME

KEY NO.	PART NO.	DESCRIPTION	KEY NO.	PART NO.	DESCRIPTION
1	102142X	Sheave - Engine	31	102701X	Grip
2	102376X	Bracket Assembly - Guard, Belt	32	102156X	Stake - Depth
3	80202	Engine - 3 H.P. Type No. 8701-01	33	74930632	*Bolt - Hex 3/8 - 16 x 2
4	102688X	Decal - 3 H.P.	36	4440J	Hinge
5	102166X	Lever Assembly - Shift	37	102153X	Shield - Leveling
6	1572H	Pin - Roll	39	8392J	Bracket - Latch
7	8700J	Panel - Shift, Indicator	40	12000036	Klip Ring
8	102180X	Decal - Shift Indicator	41	8394J	Spring
9	73220600	Nut - Hex 3/8 - 16	42	108283X	Decal - Shield, Tine
10	102173X	Counterweight	43	8393J	Pin - Stake, Depth
11	102194X	Bolt - Hex 3/8 - 16 x 10	44	104086X	Shield - Side, Outer, L.H.
12	102373X	Lever - Lock, Handle	45	12000032	Klip Ring
13	74930576	Bolt - Hex 5/16 - 18 x 4 - 3/4	46	104679X	Pulley - Idler
14	102189X	Rim (Only)	47	83553	Clip
---	102190X	Tire	48	104370X	Spacer - Split
---	795R	Valve - Tire	49	19111116	*Washer 11/32 x 11/16 x 16 Ga.
15	4497H	Spring - Retainer	50	100473M	Sheave - Transmission
16	102841X	Rivet - Drilled	51	102148X	Guard - Belt
17	19131414	Washer 13/32 x 7/8 x 14 Ga.	52	108282X	Decal - Guard, Belt
18	73220500	*Nut - Hex 5/16 - 18	53	102143X	V-Belt
19	102141X	Shift - Idler Arm	54	2649M	Key - Sq. 3/16 x 1 - 1/8
20	105611X	Bracket Assembly - Idler	55	104369X	Spacer - Split
21	9484R	Clip	56	10040600	*Washer - Lock 3/8
22	102332X	Bracket Reinforcement, R.H.			
23	102331X	Bracket Reinforcement, L.H.			
24	104233X	Bracket Assembly - Throttle			
25	104101X	Shield - Side, Outer, R.H.			
26	104085X	Shield Assembly - Side			
27	106093X	Lever - Throttle			
28	102152X	Shield - Tine			
29	102155X	Bracket - Shield, Tine			
30	102154X	Pin - Hinge			

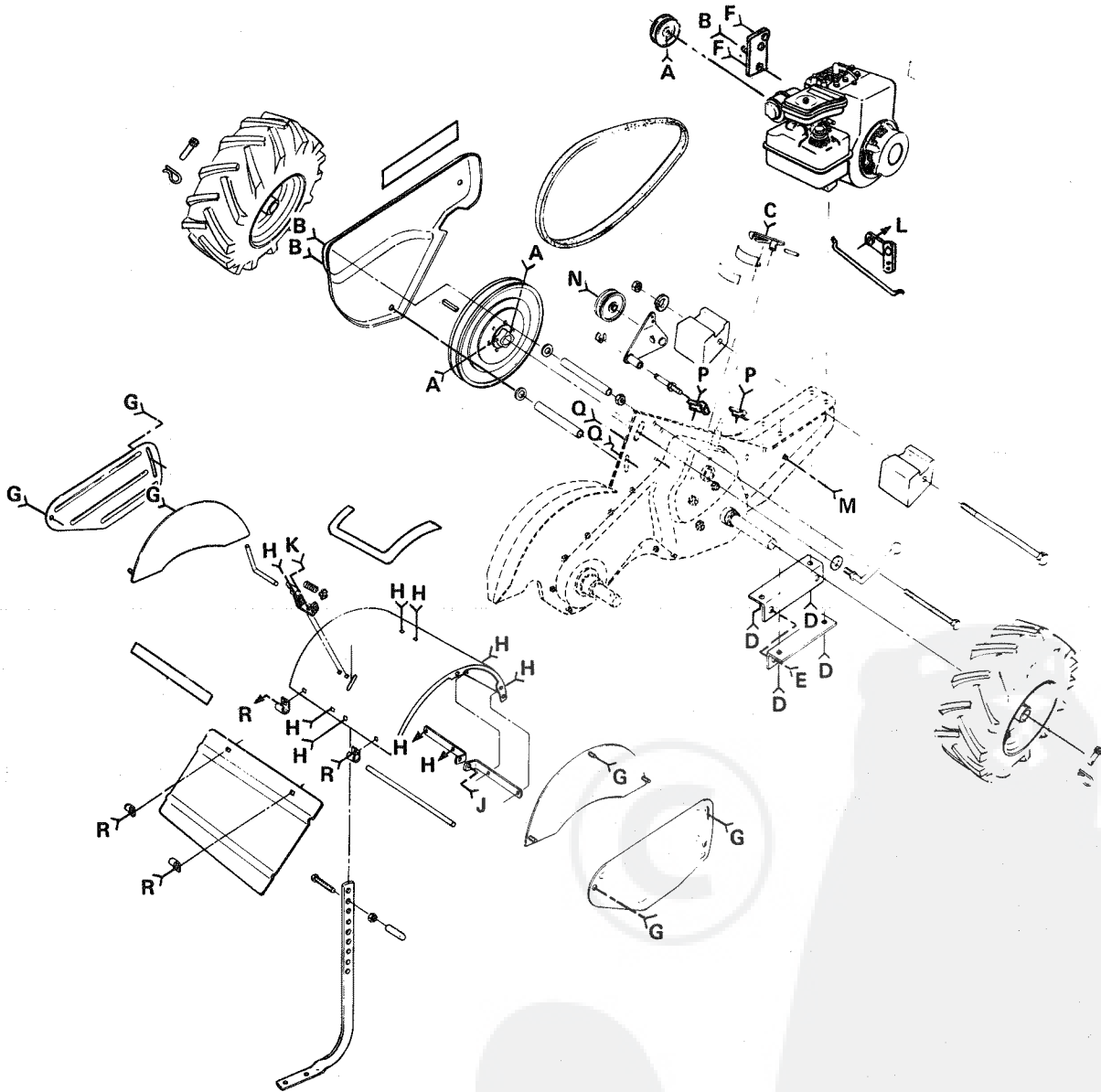
*STANDARD HARDWARE--PURCHASE LOCALLY



REPAIR PARTS

REAR TINE TILLER--MODEL NUMBER J3000AR

MAIN FRAME



- | | | | | | | | | | | |
|----------|----------|-------------|--------------|----------------|----------|----------|---------------|---------------|---------------|----------|
| A | B | C | D | E | F | G | H | J | K | L |
| 1 | 3
4 | 5
6
7 | 8
9
10 | 11
12
13 | 6
7 | 16 | 17
9
10 | 18
9
10 | 19
9
10 | 20
7 |

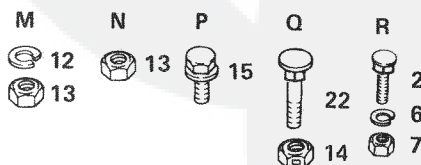
REPAIR PARTS

REAR TINE TILLER--MODEL NUMBER J3000AR

MAIN FRAME

KEY NO.	PART NO.	DESCRIPTION
1	23230506	Screw - Set, Hex 5/16 - 18 x 3/8 Patch Lock
2	72110404	Bolt - Rd. Hd. Sq. Neck Carriage 1/4 - 20 x 1/2 Gr. 5
3	19111116	*Washer 11/32 x 11/16 x 16 Ga.
4	104214X	Nut - Cap 5/16 - 18
5	72140404	Bolt - Rd. Hd. Sq. Neck Carriage 1/4 - 20 x 1/2 Gr. 5
6	10040400	*Washer - Lock 1/4
7	73220400	*Nut - Hex 1/4 - 20
8	74760524	*Bolt - Hex 5/16 - 18 x 1 - 1/2
9	10040500	*Washer - Lock 5/16
10	73220500	*Nut - Hex 5/16 - 18
11	74760616	*Bolt - Hex 3/8 - 16 x 1
12	10040600	*Washer - Lock 3/8
13	73220600	*Nut - Hex 3/8 - 16
14	5394H	Nut - Gripco 3/8 - 16
15	17561008	Hex Washer Hd. Slotted Thd. Cutting Screw No. 10 - 24 x 1/2
16	98000129	Nut - Flange 5/16 - 18
17	72140505	*Bolt - Hex 5/16 - 18 x 5/8 Gr. 5
18	72110508	*Bolt - Rd. Hd. Sq. Neck Carriage 5/16 - 18 x 1
19	72140506	*Bolt - Rd. Hd. Sq. Neck Carriage 5/16 - 18 x 3/4 Gr. 5
20	74760408	Bolt - Hex Plt. 1/4 - 20 x 1/2
22	72140608	Bolt - Rd. Hd. Sq. Neck Carriage 3/8 - 16 x 1 Gr. 5

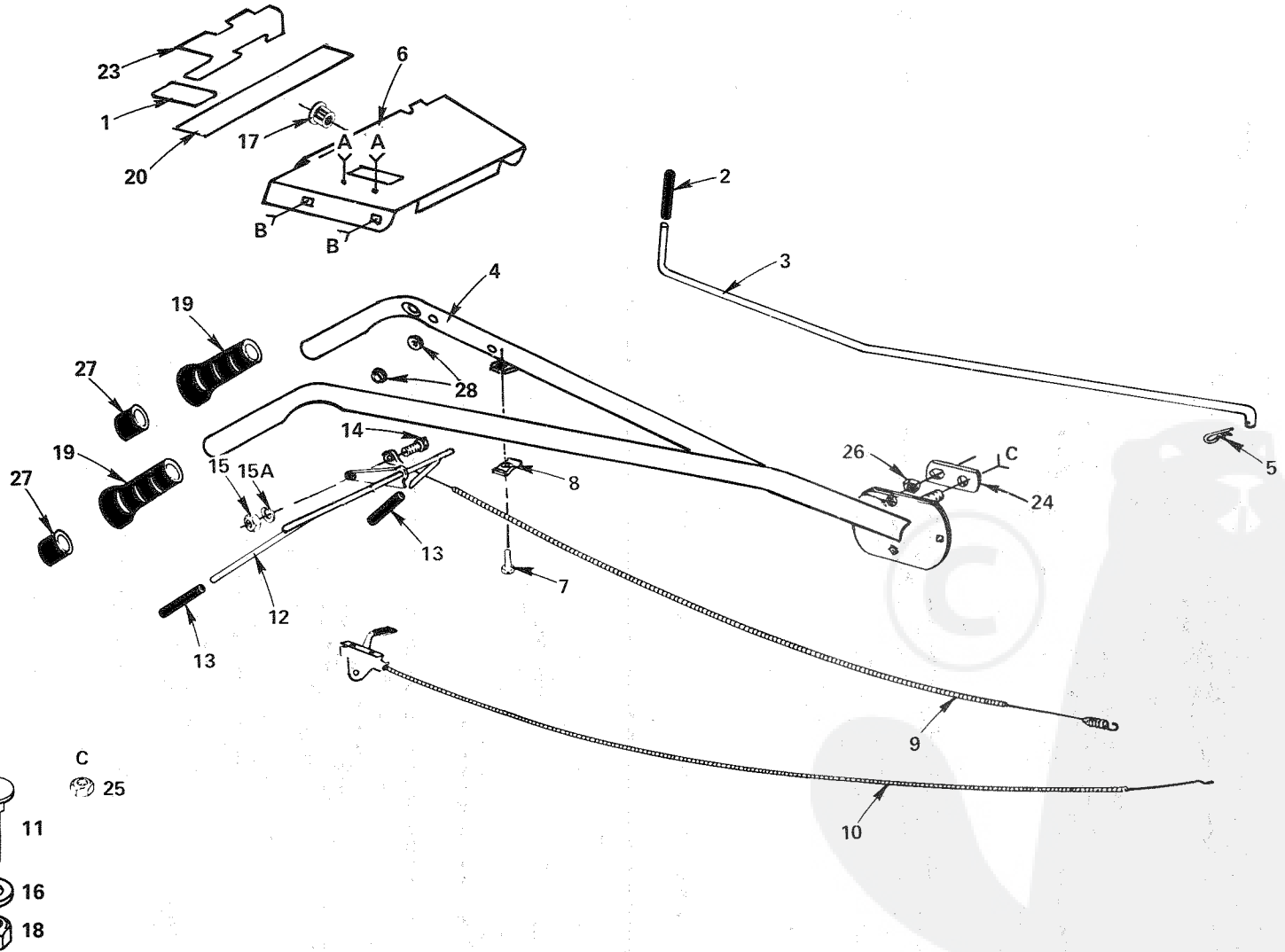
*STANDARD HARDWARE--PURCHASE LOCALLY



REPAIR PARTS

REAR TINE TILLER--MODEL NUMBER J3000AR

CONTROL GROUP



REPAIR PARTS

REAR TINE TILLER--MODEL NUMBER J3000AR

CONTROL GROUP

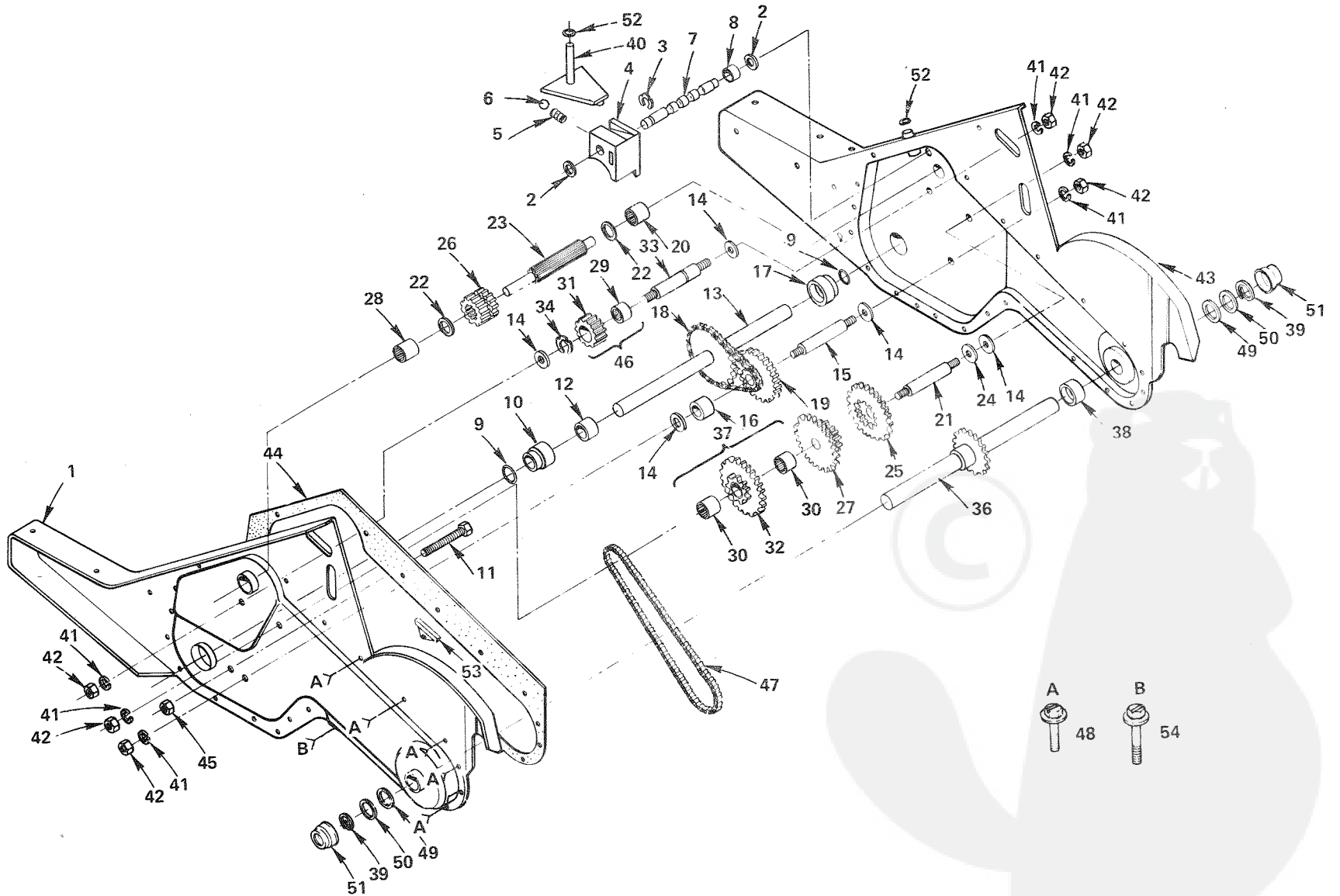
KEY NO.	PART NO.	DESCRIPTION	KEY NO.	PART NO.	DESCRIPTION
1	108591X	Decal - Throttle	15A	10040400	*Washer - Lock 1/4
2	8389J	Grip	16	10040500	*Washer - Lock 5/16
3	108281X	Rod - Shift	17	102856X	Grommet - Handle
4	108271X	Assembly - Handle	18	1685H	Nut - Lock 5/16 - 18
5	4497H	Clip - Hairpin	19	108279X	Grip - Handle
6	108274X	Bracket - Handle	20	108284X	Decal - Bracket, Handle
7	17561008	Screw - Hex Washer Hd. Slotted Thread Cutting No. 10 - 24 x 1/2	21	74981008	Screw - Pan Hd. Cross Recess Machine No. 10 - 24 x 1/2
8	9484R	Clip	22	98000049	Nut - Gripco No. 10 - 24
9	102162X	Cable - Clutch	23	108590X	Decal - Rally
10	108280X	Control - Throttle	24	101282K	Plate - Lock
11	72110514	Bolt - Rd. Hd. Sq. Nk. 5/16 - 18 x 1 - 3/4	25	73690400	Locknut - Gripco Crown 1/4 - 20
12	108276X	Bar Assembly - Control	26	104886X	Nut - Flange 3/8 - 16
13	102604X	Grip - Bar, Control	27	108544X	Cap - Sleeve
14	81328	Bolt - Shoulder	28	5420J	Grommet - Handle
15	73220400	*Nut - Hex 1/4 - 20			

*STANDARD HARDWARE--PURCHASE LOCALLY

REPAIR PARTS

REAR TINE TILLER--MODEL NUMBER J3000AR

TRANSMISSION - GROUND DRIVE



REPAIR PARTS

REAR TINE TILLER--MODEL NUMBER J3000AR

TRANSMISSION - GROUND DRIVE

KEY NO.	PART NO.	DESCRIPTION	KEY NO.	PART NO.	DESCRIPTION
---	106548X	Transmission Assembly	29	6803J	Bearing - Needle
1	106549X	Gearcase Assembly - L.H. w/Bearing (Inc. Key No. 28)	30	4422J	Bearing - Needle
2	102136X	Washer - Seal	31	102115X	Gear - Reverse Idler
3	12000039	Klip Ring	32	106142X	Sprocket Assembly (Tine)
4	8353J	Fork - Shift	33	102111X	Shaft - Reverse Idler
5	100371K	Spring - Shift, Fork	34	12000040	Klip Ring
6	7392M	Ball - Steel	36	106144X	Shaft Assembly - Tine
7	102109X	Shaft - Shift	37	106141X	Sprocket Assembly w/Bearings (Inc. Key No. 32 and 2 of Key No. 30)
8	104159X	Spacer - Split	38	106146X	Spacer - 1.01 x 1 - 3/4 x .760
9	102128X	O-Ring	39	102144X	Ring - Spiral
10	102100X	Bearing - Shaft, Ground Drive	40	102107X	Arm Assembly - Shift
11	102101X	Screw - Whiz - Lock 5/16 - 18 x 3 - 1/2	41	10040700	*Washer - Lock 7/16
12	106390X	Spacer - .765 x 1.12 x .230	42	73610700	Nut - Hex 7/16 - 20
13	102124X	Shaft Assembly - Ground	43	106138X	Gearcase Assembly - R.H. w/Bearing (Inc. Key No. 20)
14	4358J	Washer	44	106211X	Gasket - Gearcase
15	102112X	Shaft - Reduction (2nd)	45	73220500	*Nut - Hex 5/16 - 18
16	106388X	Spacer - .70 x 1.00 x 1.150	46	102114X	Gear Assembly - Reverse Idler (Inc. Key No's, 29 & 31)
17	102106X	Bearing - Shaft, Ground Drive	47	106147X	Chain - Roller - No. 50 - 50 Pitch
18	102134X	Chain No. 35-50 Pitch	48	17580408	Screw - Taptite 1/4 - 20 x 1/2
19	102121X	Sprocket and Gear Assembly	49	9674R	Seal - Oil
20	4895H	Bearing - Needle	50	9676R	Seal - Ring, Rubber
21	8358J	Shaft - Reduction (1st)	51	9672R	Cup - Formed
22	1370H	Race - Bearing Thrust 5/8 I.D.	52	106160X	O-Ring
23	102110X	Shaft - Input	53	106212X	Block - Chain Guide
24	4220R	Washer - Thrust	54	17580410	Screw - Taptite 1/4 - 20 x 5/8
25	105346X	Gear - Reverse	---	6066J	Grease Plastilub No. 1 (not furnished with your Tiller)
26	102113X	Pinion - Input			
27	105345X	Gear - Cluster - Red. 1st and 2nd			
28	5020J	Bearing - Needle			

*STANDARD HARDWARE--PURCHASE LOCALLY