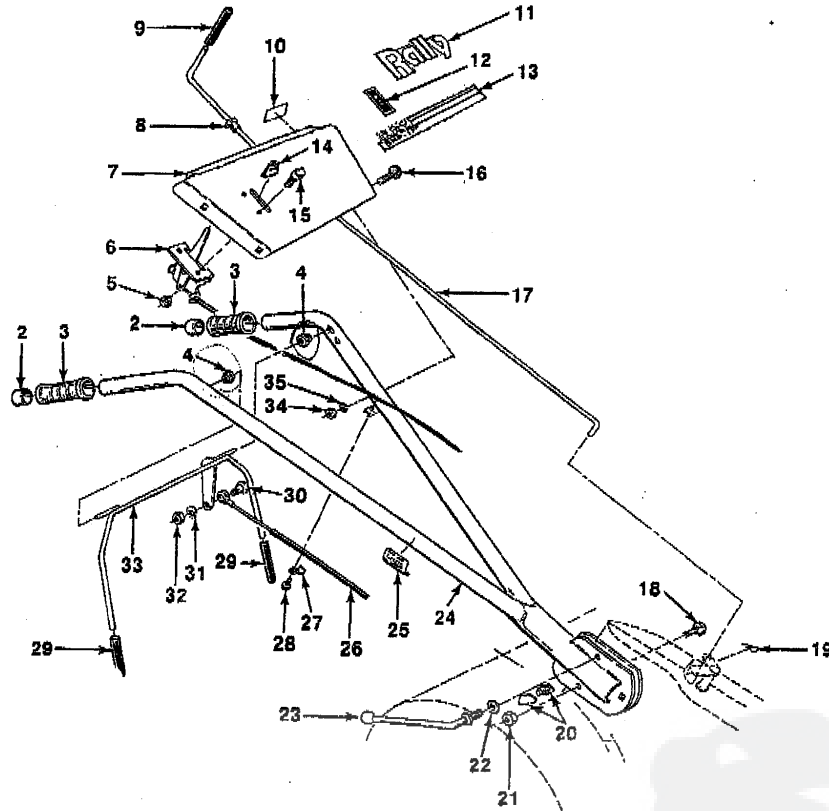


VI. REPAIR PARTS**Detail "A" - Handle Assembly**

5 H.P. TILLER -- MODEL NUMBER J5000DR

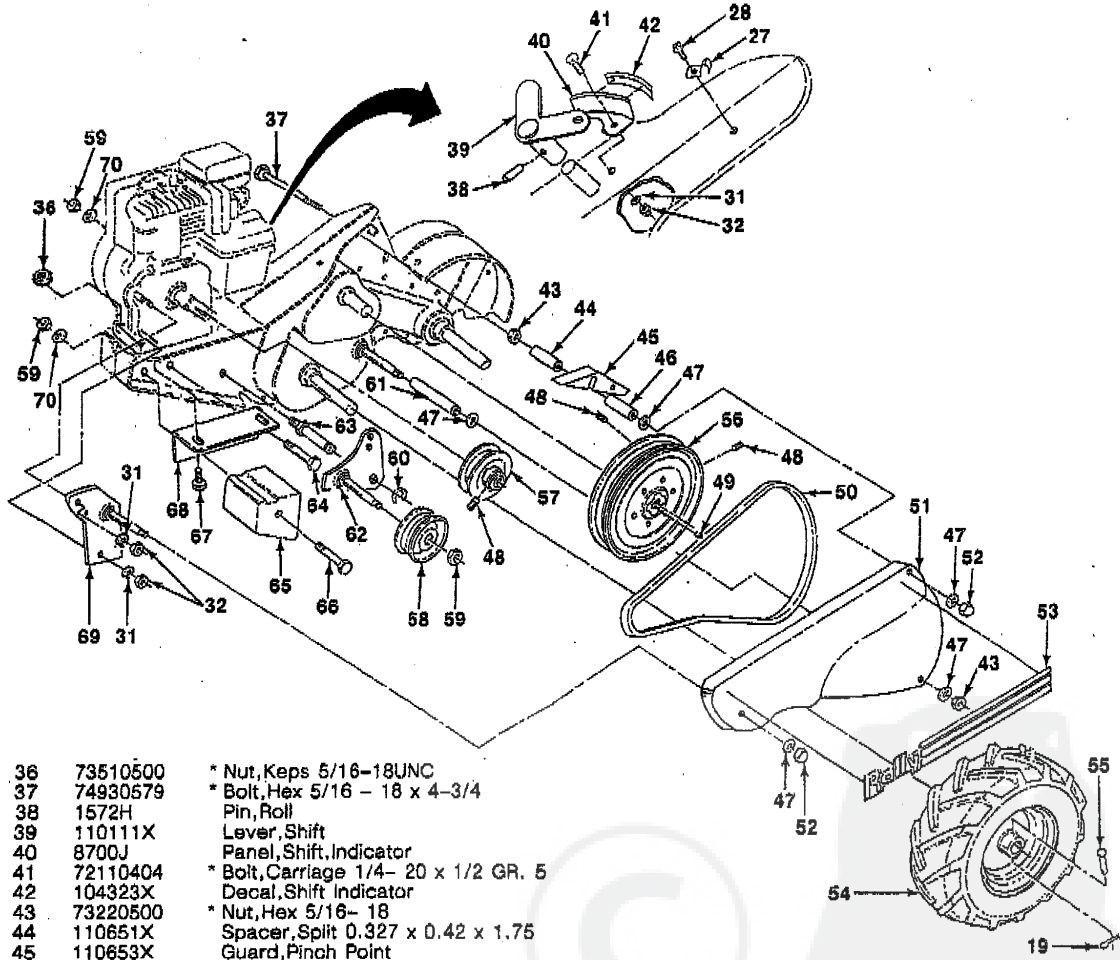


2	108544X	Cap, Sleeve	19	4497H	Clip, Hairpin
3	108279X	Grip, Handle	20	109229X	Lock, Handle
4	5420J	Grommet, Handle	21	5394H	Nut 3/8 - 16
5	73731000	* Nut, Keps #10 - 24 UNC	22	19131611	* Washer 13/32 x 1 x 11 Ga.
6	110670X	Control, Throttle	23	109228X	Lever, Lock Handle
7	108274X	Bracket, Handle	24	121566X	Handle
8	102856X	Grommet, Handle	25	110614X	Decal, Hand Placement
9	8389J	Grip, 3" long	26	102162X	Cable, Clutch
10	110678X	Decal, Tine Control	27	9484R	Clip
11	109795X	Decal, Rally	28	86777	Screw, Hex Washer HD slotted #10 -24 x 1/2
12	121751X	Decal, Throttle	29	102604X	Grip, Bar Control
13	108292X	Decal, Bracket, Handle	30	81328	Bolt, Shoulder
14	110680X	Knob, Control	31	10040400	* Washer, Lock 1/4
15	71091008	* Screw, Mach, pan HD CR. # 10 - 24 x 1/2	32	73220400	* Nut, Hex 1/4 - 20
16	72110514	* Bolt, Carriage 5/16 x 18 x 1-3/4	33	108276X	Bar, Control
17	108281X	Rod, Shift	34	1685H	Nut, Lock 5/16 - 18
18	72110608	* Bolt, Carriage 3/8 x 16 x 1 Gr. 5	35	10040500	* Washer, Lock 5/16

* STANDARD HARDWARE--PURCHASE LOCALLY

VI. REPAIR PARTS **Detail "B" - Mainframe, Left Side**

5 H.P. TILLER --- MODEL NUMBER J5000DR

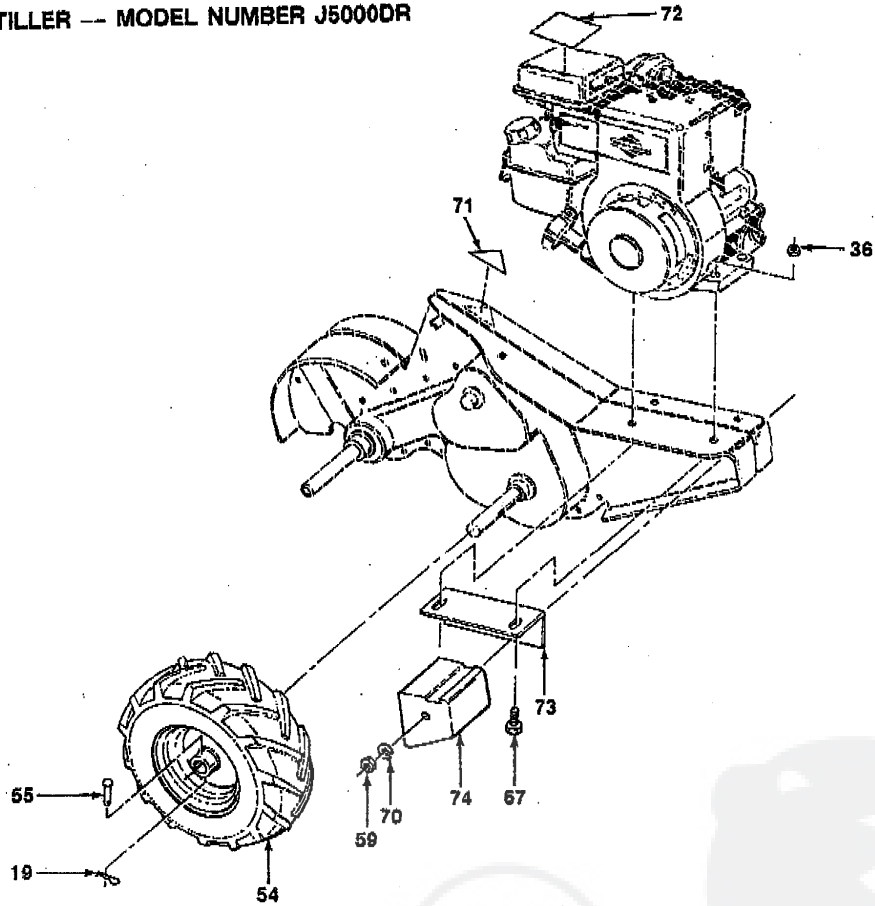


- | | | | | | |
|-----|--------------|--------------------------------------|--|--|--|
| 36 | 73510500 | * Nut, Keps 5/16-18UNC | | | |
| 37 | 74930579 | * Bolt, Hex 5/16 - 18 x 4-3/4 | | | |
| 38 | 1572H | Pin, Roll | | | |
| 39 | 110111X | Lever, Shift | | | |
| 40 | 8700J | Panel, Shift, Indicator | | | |
| 41 | 72110404 | * Bolt, Carriage 1/4- 20 x 1/2 GR. 5 | | | |
| 42 | 104323X | Decal, Shift Indicator | | | |
| 43 | 73220500 | * Nut, Hex 5/16- 18 | | | |
| 44 | 110651X | Spacer, Split 0.327 x 0.42 x 1.75 | | | |
| 45 | 110653X | Guard, Pinch Point | | | |
| 46 | 110652X | Spacer, Split 0.327 x 0.42 x 2.09 | | | |
| 47 | 19111116 | * Washer 11/32 x 11/16 x 16 GA. | | | |
| 48 | 23230506 | * Setscrew, Hex 5/16 - 18 x 3/8 | | | |
| 49 | 2649M | Key, Square 3/16 x 1-1/8 | | | |
| 50 | 102143X | Belt, V | | | |
| 51 | 102148X | Guard, Belt | | | |
| 52 | 104214X | * Nut, Cap 5/16 - 18 | | | |
| 53 | 109794X | Decal, Belt Guard | | | |
| 54 | 109208X | Rim | | | |
| --- | 102190X | Tire | | | |
| --- | 795P | Valve, Tire | | | |
| 55 | 102841X | Pin, Retaining | | | |
| 56 | 100473M | Sheave, Transmission | | | |
| 57 | 102142X | Sheave, Engine | | | |
| 58 | 104679X | Pulley, Idler | | | |
| 59 | 73220600 | * Nut, Hex 3/8 - 16 | | | |
| 60 | 12000032 | Ring, Klip | | | |
| 61 | 120938X | Spacer, Split 0.327 x 0.42 x 2.68 | | | |
| 62 | 105611X | Bracket, Idler | | | |
| 63 | 102141X | Shift, Idler Arm | | | |
| 64 | 74760616 | * Bolt, Hex 3/8 - 16 x 1 | | | |
| 65 | 102383X | Counterweight, L.H. | | | |
| 66 | 102384X | Bolt, Hex 5/16 - 16 x 12 | | | |
| 67 | 74760524 | * Bolt, Hex 5/16 - 18 x 1-1/2 | | | |
| 68 | 102331X | Bracket, Reinforcement, L.H. | | | |
| 69 | 102376X | Bracket, Guard, Belt | | | |
| 70 | 10040600 | * Washer, Lock 3/8 | | | |
| 19 | SEE DETAIL A | (page 21) | | | |
| 27 | SEE DETAIL A | (page 21) | | | |
| 28 | SEE DETAIL A | (page 21) | | | |
| 31 | SEE DETAIL A | (page 21) | | | |
| 32 | SEE DETAIL A | (page 21) | | | |

* STANDARD HARDWARE—PURCHASE LOCALLY

VI. REPAIR PARTS **Detail "C" - Mainframe, Right Side**

5 H.P. TILLER -- MODEL NUMBER J5000DR



- 71 --- Decal, O.P.E.I.
- 72 110812X Decal, Caution
- 73 102332X Bracket, Reinforcement, R.H.
- 74 102173X Counterweight, R.H.

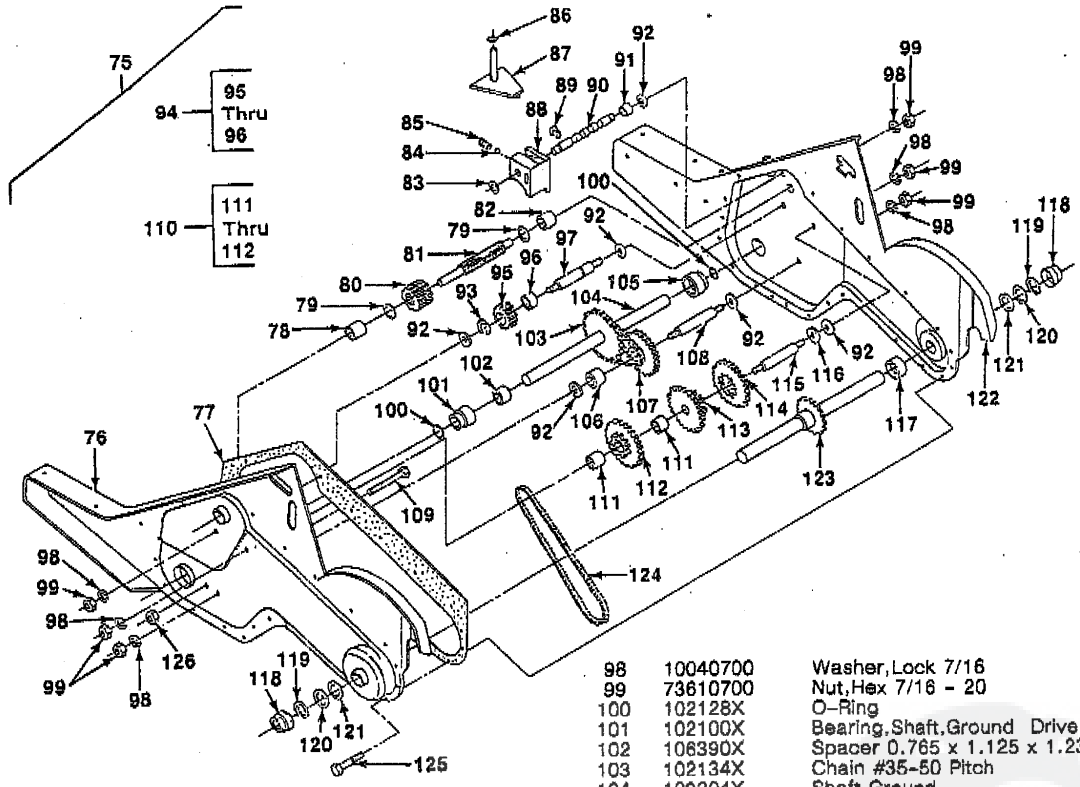
- 65 SEE DETAIL B (page 22)
- 59 SEE DETAIL B (page 22)
- 67 SEE DETAIL B (page 22)
- 70 SEE DETAIL B (page 22)

- 19 SEE DETAIL A (page 21)
- 36 SEE DETAIL B (page 22)
- 54 SEE DETAIL B (page 22)

* STANDARD HARDWARE---PURCHASE LOCALLY

VI. REPAIR PARTS **Detail "D" - Transmission**

6 H.P. TILLER -- MODEL NUMBER J5000DR



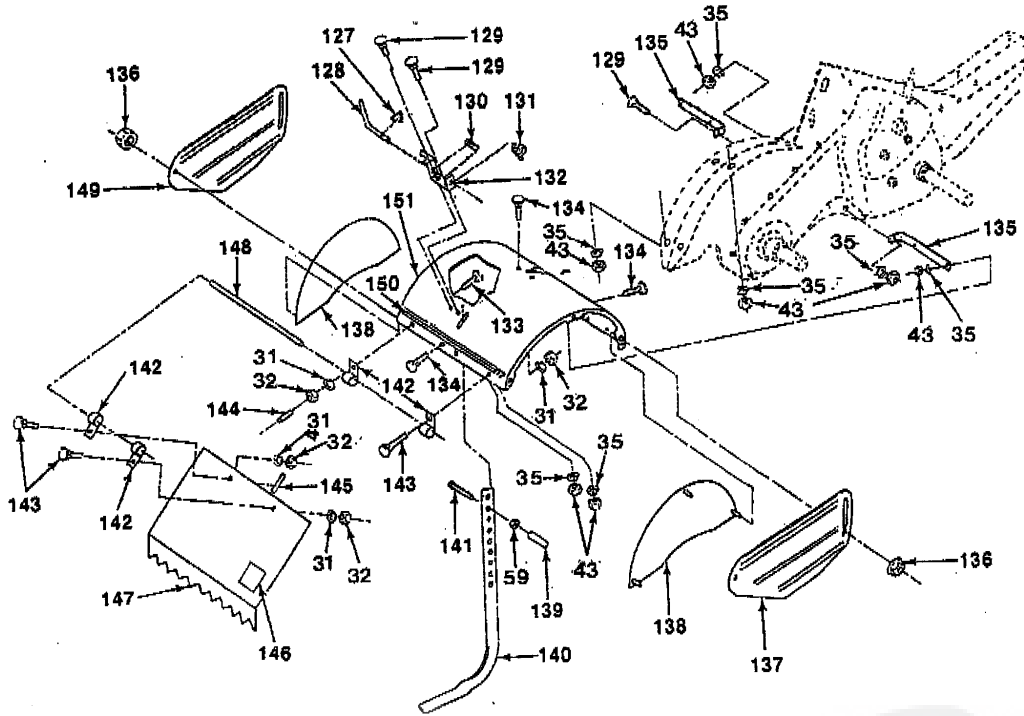
75	121146X	Transmission Assembly (Inc. 76 thru 126)
76	121147X	Gearcase, L.H. with Bearing (Key 78)
77	106211X	Gasket, Gearcase
78	5020J	Bearing, Needle
79	1370H	Race, Bearing thrust 5/8 I.D.
80	102113X	Pinion, Input
81	102110X	Shaft, Input
82	4895H	Bearing, Needle
83	102136X	Washer, Seal
84	7392M	Ball, Steel
85	100371K	Spring, Shift, Fork
86	106160X	O-Ring
87	102107X	Arm, Shift
88	8353J	Fork, Shift
89	12000039	Ring, Klip
90	102109X	Shaft, Shift
91	104159X	Spacer, Split
92	4358J	Washer
93	12000040	Ring, Klip
94	102114X	Gear Assembly, Reverse Idler (Inc. Key No's 95 & 96)
95	102115X	Gear, Reverse Idler
96	6803J	Bearing, Needle
97	102111X	Shaft, Reverse Idler

98	10040700	Washer, Lock 7/16
99	73610700	Nut, Hex 7/16 - 20
100	102128X	O-Ring
101	102100X	Bearing, Shaft, Ground Drive
102	106390X	Spacer 0.765 x 1.125 x 1.23
103	102134X	Chain #35-50 Pitch
104	109204X	Shaft, Ground
105	102106X	Bearing, Shaft, Ground Drive
106	106388X	Spacer 0.70 x 1.00 x 1.150
107	102121X	Sprocket And Gear
108	102112X	Shaft, Reduction (2nd)
109	102101X	Screw, Whiz-Lock 5/16 - 18 x 3-1/2
110	106141X	Sprocket Assembly with Bearing (Inc. 111 & 112)
111	4422J	Bearing, Needle
112	106142X	Sprocket, Tine
113	105345X	Gear, Cluster, Red 1st & 2nd
114	105346X	Gear, Reverse
115	8358J	Shaft, Reduction (1st)
116	4220R	Washer, Thrust
117	106146X	Spacer 1.01 x 1.75 x 0.760
118	9672R	Cup, Formed
119	102144X	Ring, Spiral
120	9676R	Seal, Ring, Rubber
121	9674R	Seal, Oil
122	121746X	Gearcase, R.H. with Bearing (Inc. Key #82)
123	106144X	Shaft, Tine
124	106147X	Chain, Roller #50-50 Pitch
125	17580408	Screw 1/4 - 20 x 1/2
126	73220500	Nut, Hex 5/16 - 18

VI. REPAIR PARTS

Detail "E" - Tine Shield

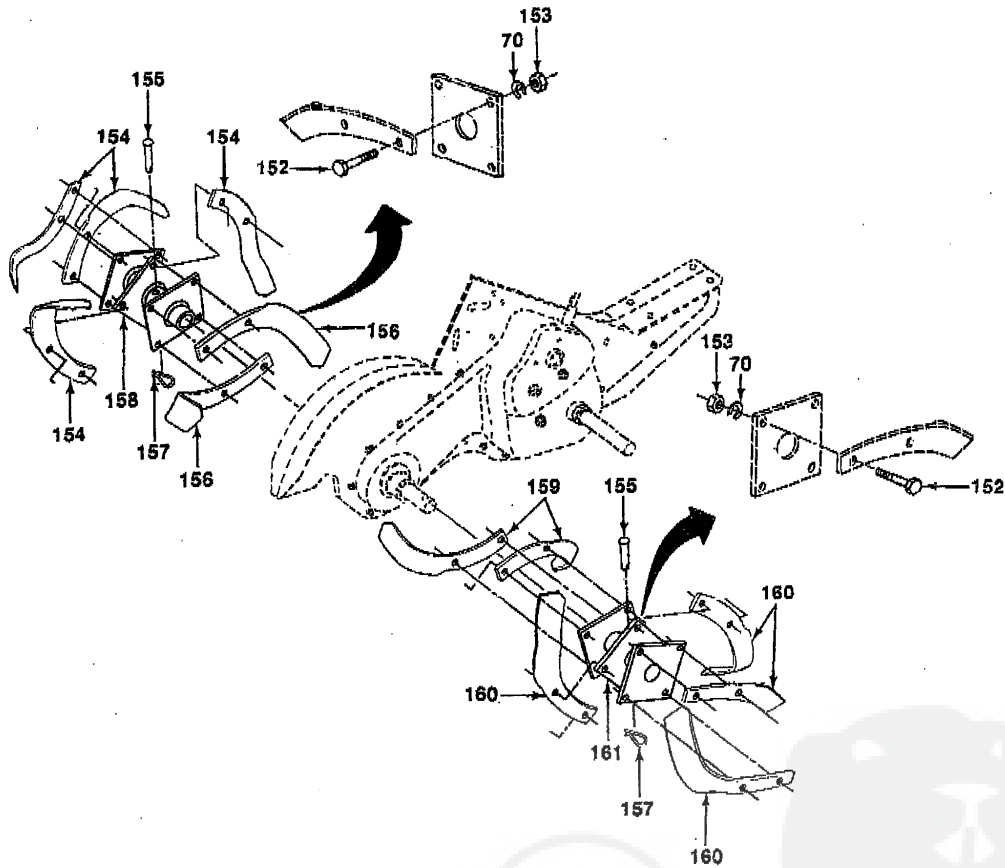
5 H.P. TILLER --- MODEL NUMBER J5000DR



127	8393J	Pin, Stake, Depth	144	6712J	Cap, Vinyl
128	12000036	Ring, Klip	145	109227X	Pad
129	72110508	* Bolt, Carriage 5/16 - 18 x 1	146	120076X	Decal, Warning
130	8394J	Spring	147	102895X	Shield, Leveling
131	109230X	Spring, Depth Stake	148	120588X	Pin, Hinge
132	8392J	Bracket, Latch	149	104086X	Shield, Side, Outer, L.H.
133	72040410	* Bolt, Carriage 1/4 20 x 1-1/4 GR. 5	150	108283X	Decal, Tine Shield
134	72140605	* Bolt, Hex 5/16 - 18 x 5/8 GR. 5	151	102326X	Shield, Tine
135	102155X	Bracket, Tine Shield			
136	98000129	Nut, Flange 5/16 - 18	35	SEE DETAIL A (page 21)	
137	104101X	Shield, Side, Outer, R.H.	32	SEE DETAIL A (page 21)	
138	104085X	Shield, Side	31	SEE DETAIL A (page 21)	
139	102701X	Grip	43	SEE DETAIL B (page 22)	
140	102156X	Stake, Depth	59	SEE DETAIL B (page 22)	
141	74930632	* Bolt, Hex 3/8 - 16 x 2			
142	4440J	Hinge			
143	72140404	* Bolt, Carriage 1/4 - 20 x 1/2 GR. 5			
					* STANDARD HARDWARE--PURCHASE LOCALLY

VI. REPAIR PARTS **Detail "F" - Tines**

5 H.P. TILLER -- MODEL NUMBER J5000DR



- 152 74610616 * Bolt, Hex 3/8 - 24 x 1
- 153 73610600 * Nut, Hex 3/8 - 24
- 154 4459J Tine, L.H.
- 155 4929H Pin, Retaining
- 156 6554J Tine, L.H.
- 157 3146R Clip, Hairpin
- 158 102380X Hub And Plate, L.H.
- 159 6555J Tine, R.H.

- 160 4460J Tine, R.H.
- 161 102382X Hub And Plate, R.H.
- 121165X Owner's Manual (English)
- 121276X Owner's Manual (French)
- 70 SEE DETAIL "B"(page 22)

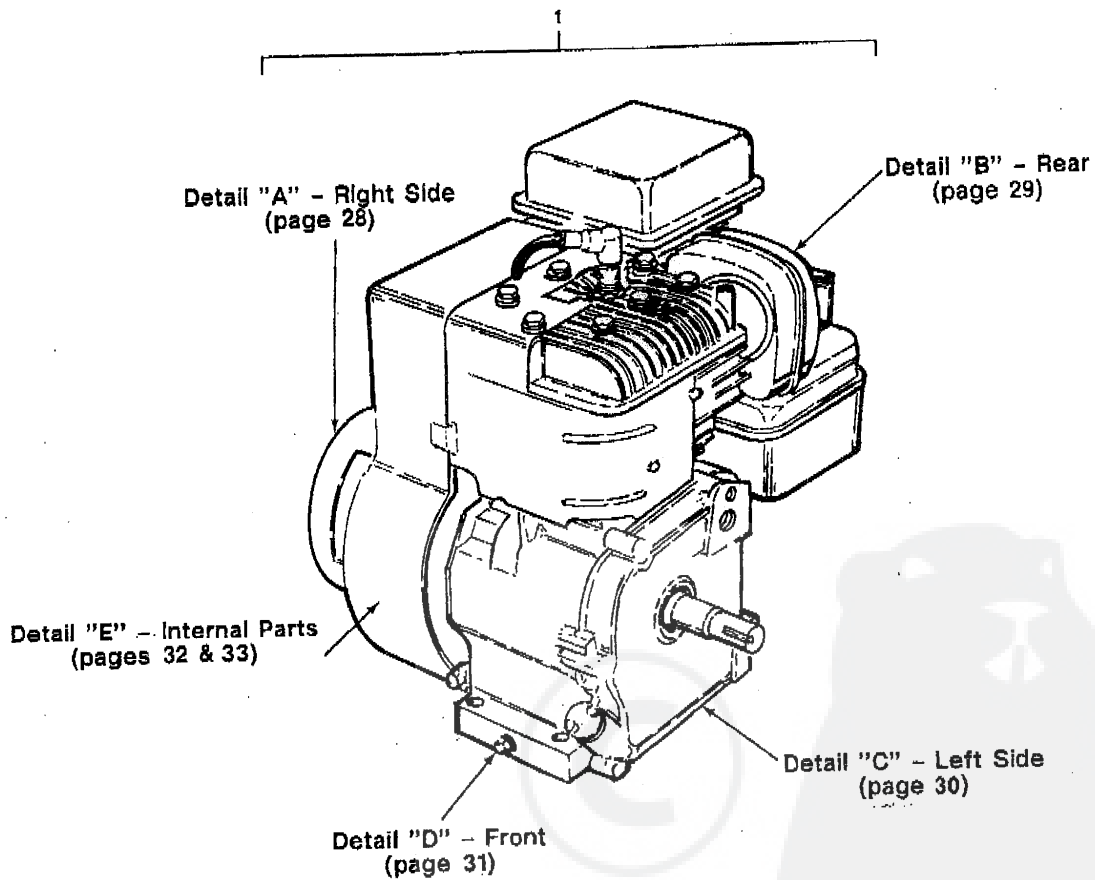
* STANDARD HARDWARE--PURCHASE LOCALLY

VI. REPAIR PARTS

Overall View

5 H.P. TILLER — MODEL NUMBER J5000DR
ENGINE — BRIGGS & STRATTON, MODEL NUMBER 130202, TYPE NUMBER 3129-01

ALL ENGINE PARTS MUST BE PURCHASED THROUGH AND WARRANTY SERVICE PERFORMED BY YOUR LOCAL BRIGGS & STRATTON DEALER.



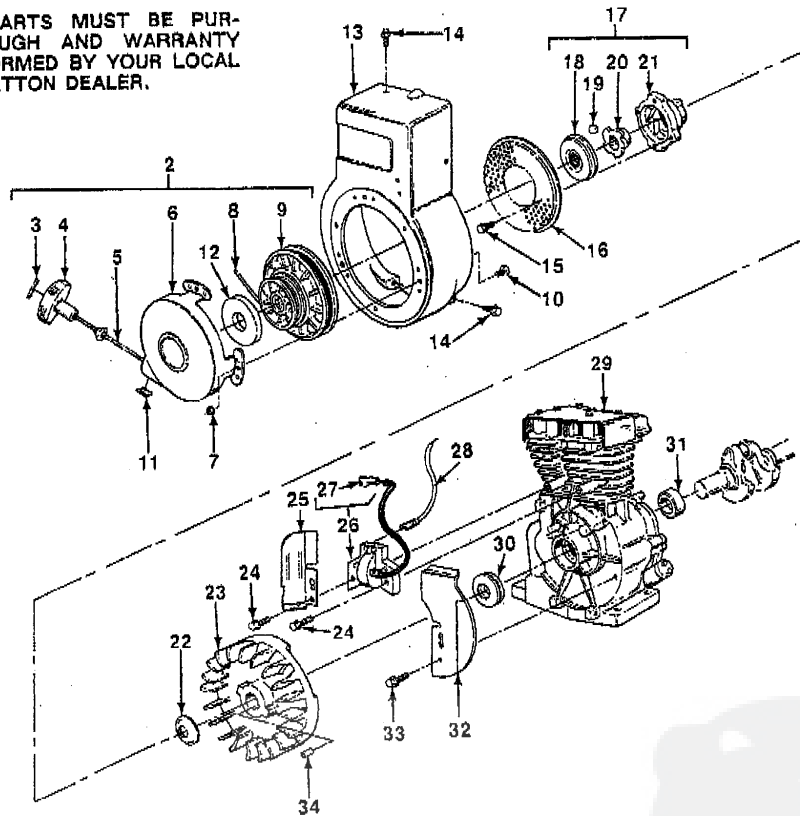
1 3129-01 Engine, Briggs & Stratton 5 H.P.

VI. REPAIR PARTS

Detail "A" - Engine, Right Side

**5 H.P. TILLER — MODEL NUMBER J5000DR
ENGINE — BRIGGS & STRATTON, MODEL NUMBER 130202, TYPE NUMBER 3129-01**

ALL ENGINE PARTS MUST BE PURCHASED THROUGH AND WARRANTY SERVICE PERFORMED BY YOUR LOCAL BRIGGS & STRATTON DEALER.



2	390463	Starter Assembly, Rewind (Inc. Key No's 3-10)	18	394506	Washer, Clutch Retainer
3	230228	Pin, Starter Grip	19	63770	Ball, Clutch
4	66728	Grip, Starter Rope (Inc. Key No. 3)	20	298799	Ratchet
5	66884	Rope, Starter 63" Long	21	394897	Housing, Starter Clutch
6	299431	Housing, Starter (Inc. Key No's 7 and 10)	22	220865	Washer, Spring
7	92987	Nut, Hex	23	297229	Flywheel, Magneto
8	490179	Spring, Starter	24	93414	Screw, Armature Mtg. Sem
9	295871	Pulley, Starter (Inc. Key No. 5)	25	22388	Guide, Air
10	94128	Screw, Starter Housing Mounting	26	397358	Armature Assembly (Inc. Key No. 27)
11	222598	Anchor - Spring	27	221798	Cable - Terminal Ignition
12	490817	Spacer	28	398808	Wire, Ground
13	490169	Housing, Blower	29	395990	Cylinder Assembly (Inc. Key No 30)
14	93158	Screw, Blower Mounting Housing	30	299819	Seal, Oil
15	93490	Screw, Sem	31	297565	Bushing - Cylinder (Inc. Key No 30)
16	221923	Screen, Starter Pulley	32	222443	Guard, Flywheel
17	399671	Clutch Assembly (Inc. Key No's 18-21)	33	93705	Screw, Flywheel Guide
			34	222698	Key, Flywheel

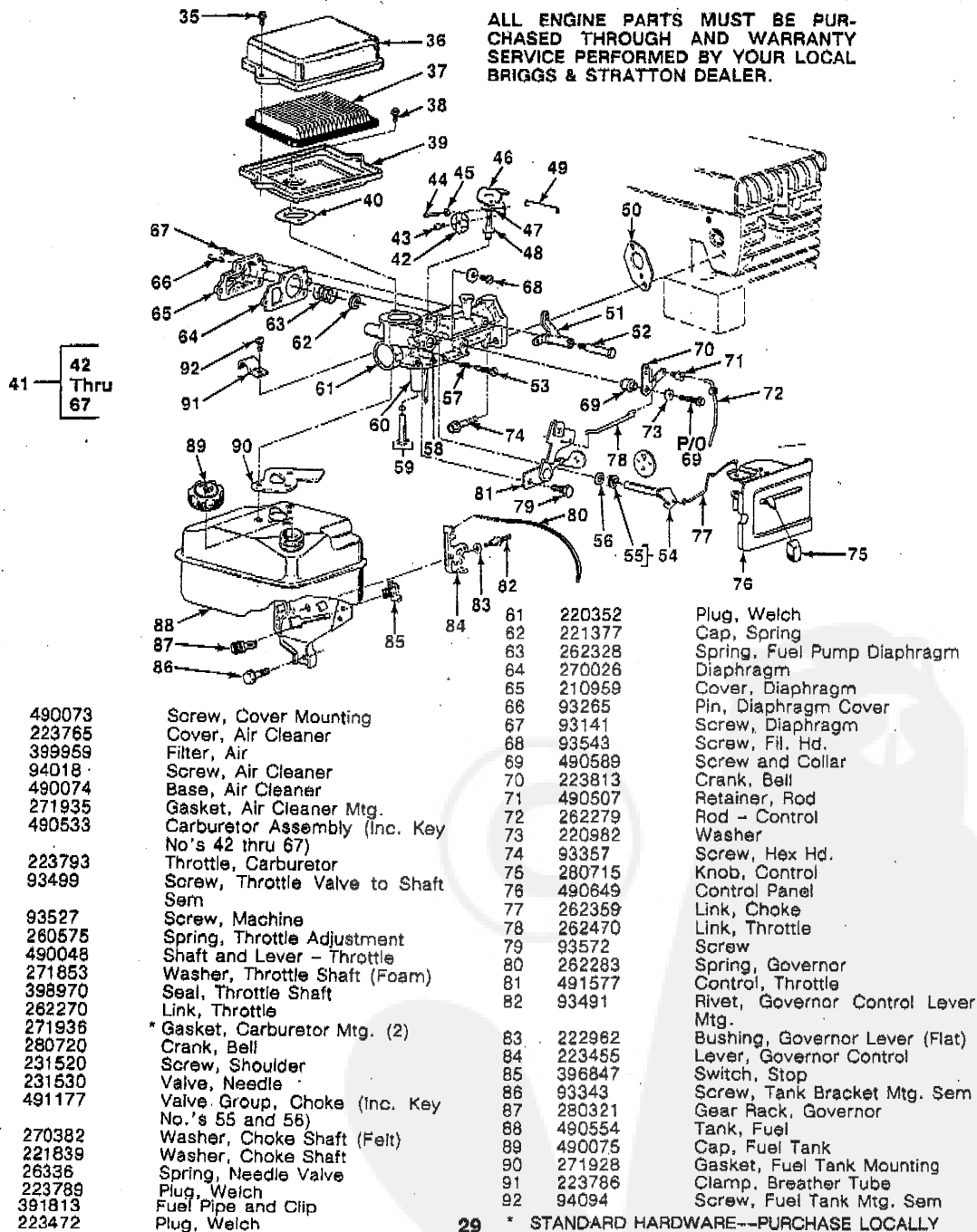
* STANDARD HARDWARE--PURCHASE LOCALLY

VI. REPAIR PARTS

Detail "B" - Engine, Rear

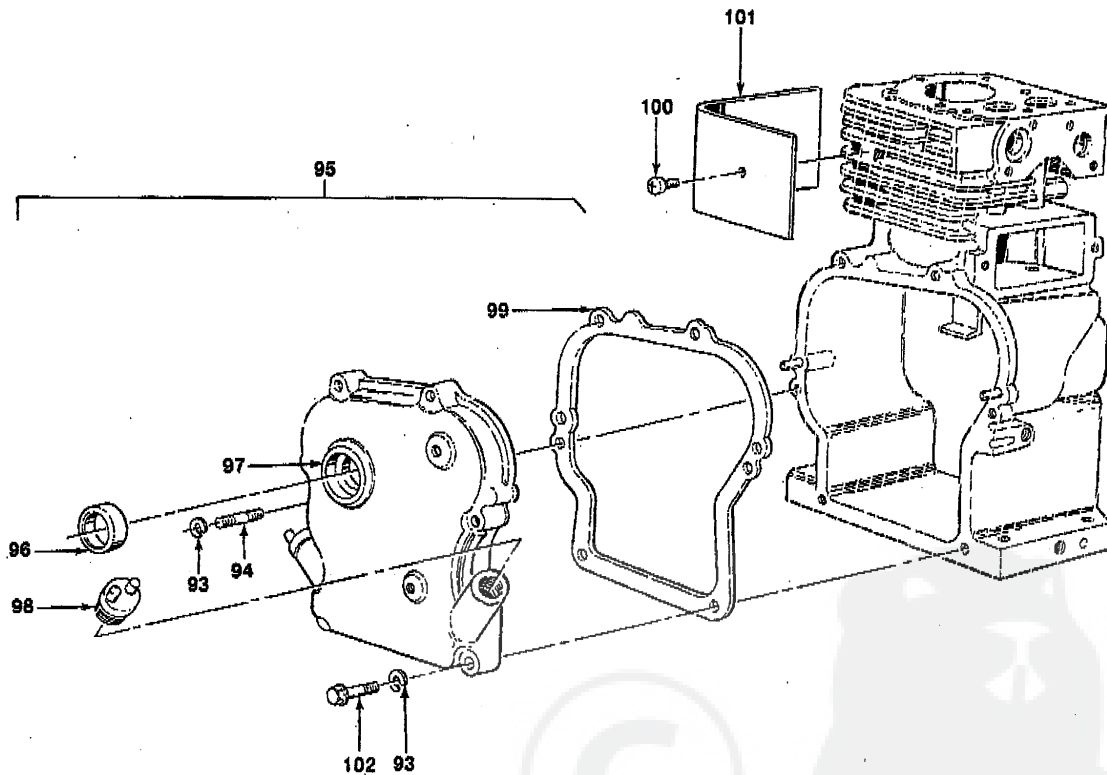
5 H.P. TILLER -- MODEL NUMBER J5000DR
 ENGINE - BRIGGS & STRATTON, MODEL NUMBER 130202, TYPE NUMBER 3129-01

ALL ENGINE PARTS MUST BE PURCHASED THROUGH AND WARRANTY SERVICE PERFORMED BY YOUR LOCAL BRIGGS & STRATTON DEALER.



VI. REPAIR PARTS**Detail "C" - Engine, Left Side****5 H.P. TILLER — MODEL NUMBER J5000DR****ENGINE - BRIGGS & STRATTON, MODEL NUMBER 130202, TYPE NUMBER 3129-01**

ALL ENGINE PARTS MUST BE PURCHASED THROUGH AND WARRANTY SERVICE PERFORMED BY YOUR LOCAL BRIGGS & STRATTON DEALER.



93	90832	Washer, Lock
94	93658	Stud
95	297602	Cover Assembly, Crankcase (Inc. Key No.'s 96, 98 and 99)
96	294806	Seal, Oil
97	297603	Bushing, Crankcase Cover

98	66788	Plug, Oil Filter
99	270080	Gasket, Crankcase .015" thick
100	93490	Screw, Cylinder Shield Mtg. Sem
101	221511	Shield, Cylinder
102	93032	Screw, Crankcase Cover Mtg.

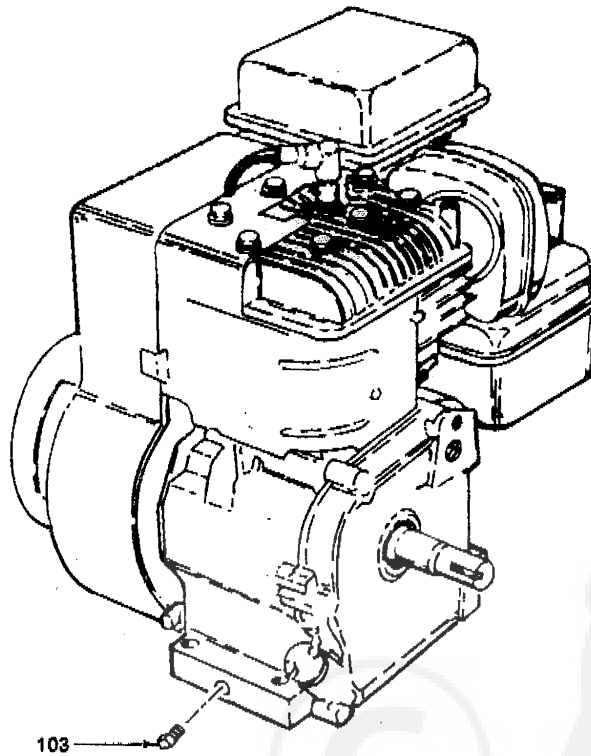
Plug, Oil Filter
 ** Gasket, Crankcase .015" thick
 Screw, Cylinder Shield Mtg. Sem
 Shield, Cylinder
 Screw, Crankcase Cover Mtg.

VI. REPAIR PARTS

Detail "D" - Engine, Front

5 H.P. TILLER -- MODEL NUMBER J5000DR
ENGINE - BRIGGS & STRATTON, MODEL NUMBER 130202, TYPE NUMBER 3129-01

ALL ENGINE PARTS MUST BE PURCHASED THROUGH AND WARRANTY SERVICE PERFORMED BY YOUR LOCAL BRIGGS & STRATTON DEALER.



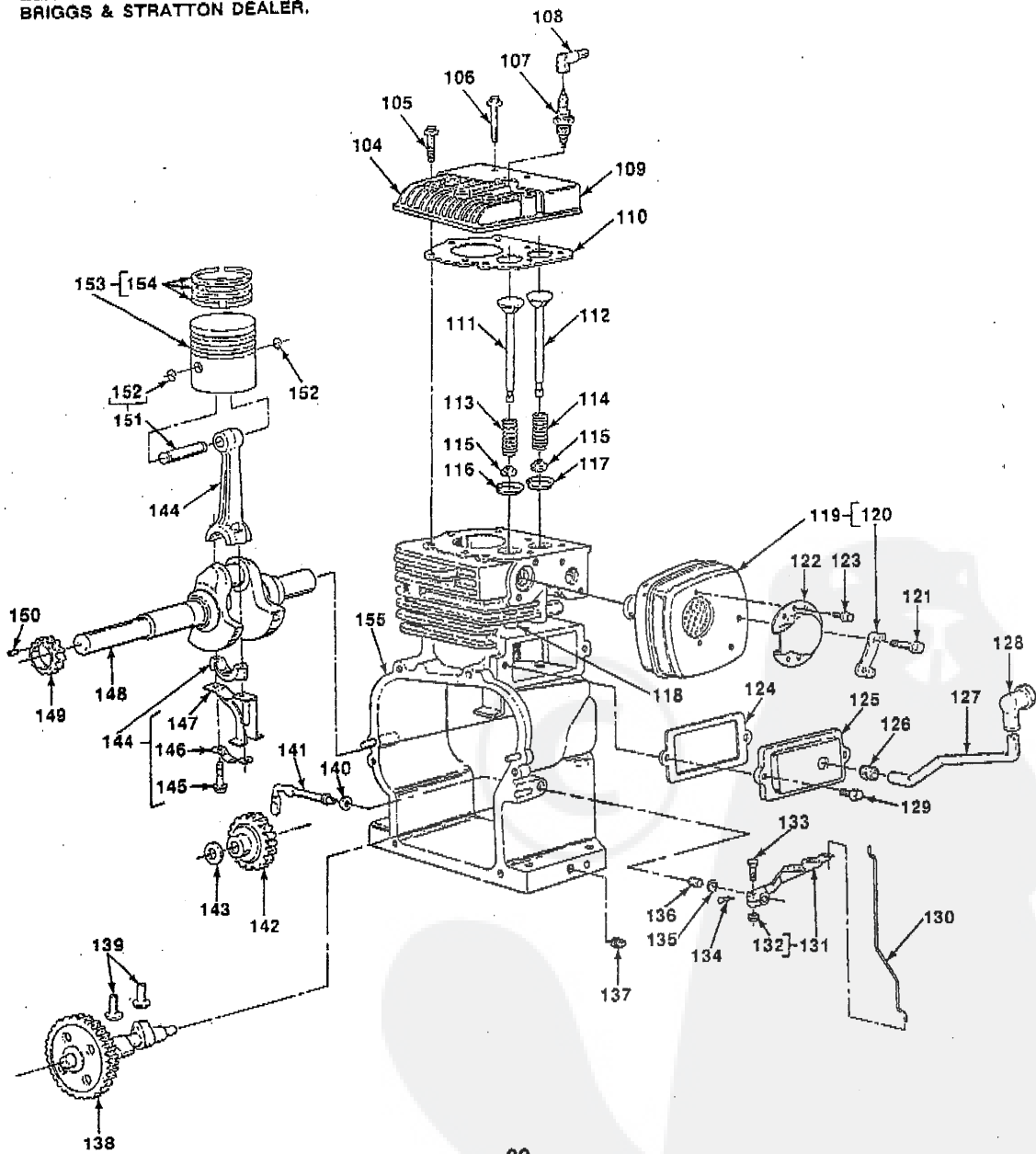
103 91249

Plug, Pipe 1/4" Std. (Square Head)

VI. REPAIR PARTS **Detail "E" - Engine, Internal Parts**

**5 H.P. TILLER -- MODEL NUMBER J5000DR
ENGINE -- BRIGGS & STRATTON, MODEL NUMBER 130202, TYPE NUMBER 3129-01**

ALL ENGINE PARTS MUST BE PURCHASED THROUGH AND WARRANTY SERVICE PERFORMED BY YOUR LOCAL BRIGGS & STRATTON DEALER.



VI. REPAIR PARTS**Detail "E" - Engine, Internal Parts**

**5 H.P. TILLER -- MODEL NUMBER
ENGINE - BRIGGS & STRATTON, MODEL NUMBER 130202, TYPE NUMBER 3129-01**

**ALL ENGINE PARTS MUST BE PUR-
CHASED THROUGH AND WARRANTY
SERVICE PERFORMED BY YOUR LOCAL
BRIGGS & STRATTON DEALER.**

104	211542	** Head, Cylinder	132	231082	Nut, Hex No. 10 - 24
105	93368	Screw, Cylinder Head-2-3/32 I.	133	92613	Bolt, Governor Lever
106	93369	Screw, Cylinder Head-2-15/32 I.	134	93306	Cotter, Hairpin
107	293918	*** Plug - Spark, Resistor	135	93307	Retainer, E-Ring
108	66538	Elbow, Spark Plug	136	231079	Bushing, Governor Crank (1/4" I.D.)
109	221512	Cover, Cylinder Head			Plug, Pipe (Hex Socket)
110	270383	* Gasket, Cylinder Head	137	93448	Gear, Cam
111	211119	Valve, Exhaust	138	212733	Tappet, Valve
112	261044	Valve, Intake	139	260642	Washer, Governor Lever
113	26478	Spring, Exhaust Valve	140	222450	Crank, Governor (1/4" Dia.)
114	260552	Spring, Intake Valve	141	231077	Gear, Governor
115	93312	Retainer, Valve Spring	142	391737	Washer, Thrust
116	211172	* Seat - Exhaust Valve (Std.)	143	221551	Rod Assembly, Connecting (Inc. Key No.'s 145 to 147) NOTE: For connecting Rod with .020" undersize Crankpin Bore, Order No. 390459
117	211787	* Seat - Intake Valve (Std.)	144	299430	Screw, Connecting Rod
118	231348	* Guide - Exhaust Valve			Lock, Connecting Rod Screw
119	393615	Muffler - Exhaust (Inc. Key No.'s 120 and 121)			Dipper, Connecting Rod Crankshaft
120	222263	Lock - Screw	145	92296	Gear - Timing
121	93935	Screw, Hex Hd. Shoulder	146	221876	Key, Crankshaft
122	393757	Deflector - Exhaust, Side Outlet (Inc. Key No. 123)	147	221890	Pin Assembly, Piston Std. (Inc. Key No. 152)
123	93705	Screw	148	397103	Lock, Piston Pin
124	27549	** Gasket, Valve Cover	149	261686	Piston Assembly - Std. (Inc. Key No. 154)
125	294178	Breather, Valve Chamber	150	230978	Ring Set, Piston - Std. Cylinder Assembly
126	66578	Grommet, Breather Tube	151	298909	
127	231526	Tube, Breather	152	26026	
128	67838	Grommet, Breather Tube	153	298904	
129	93394	Screw, Breather Mounting			
130	262238	Link, Governor	154	298982	
131	490374	Lever Assembly, Governor (Inc. Key No.'s 132 and 133)	155	395990	

* REQUIRES SPECIAL TOOLS TO INSTALL

** INCLUDE IN GASKET SET NO. 397145

*** CANADIAN CUSTOMERS IN COMPLIANCE WITH RADIO INTERFERENCE REGULATIONS CERTIFIED MUST REPLACE SPARK PLUG WITH RESISTOR SPARK PLUG ONLY

OPTIONAL EQUIPMENT AND SPECIAL TOOLS:

---	392193	Spark Arresting Muffler Assembly, Consists of the following:
	---	391913 Screen (1 required)
	---	222535 Deflector (1 required)
	---	93705 Screw (4 required)
---	397145	Gasket Set
---	89838	Spark Plug Wrench
---	19069	Flywheel Puller

NV EUROGARDEN SA
Sint-Truidensesteenweg 252
B-3300 Tienen - Belgium
Tel. ++32-16-80 54 32
Fax ++32-16-80 54 38