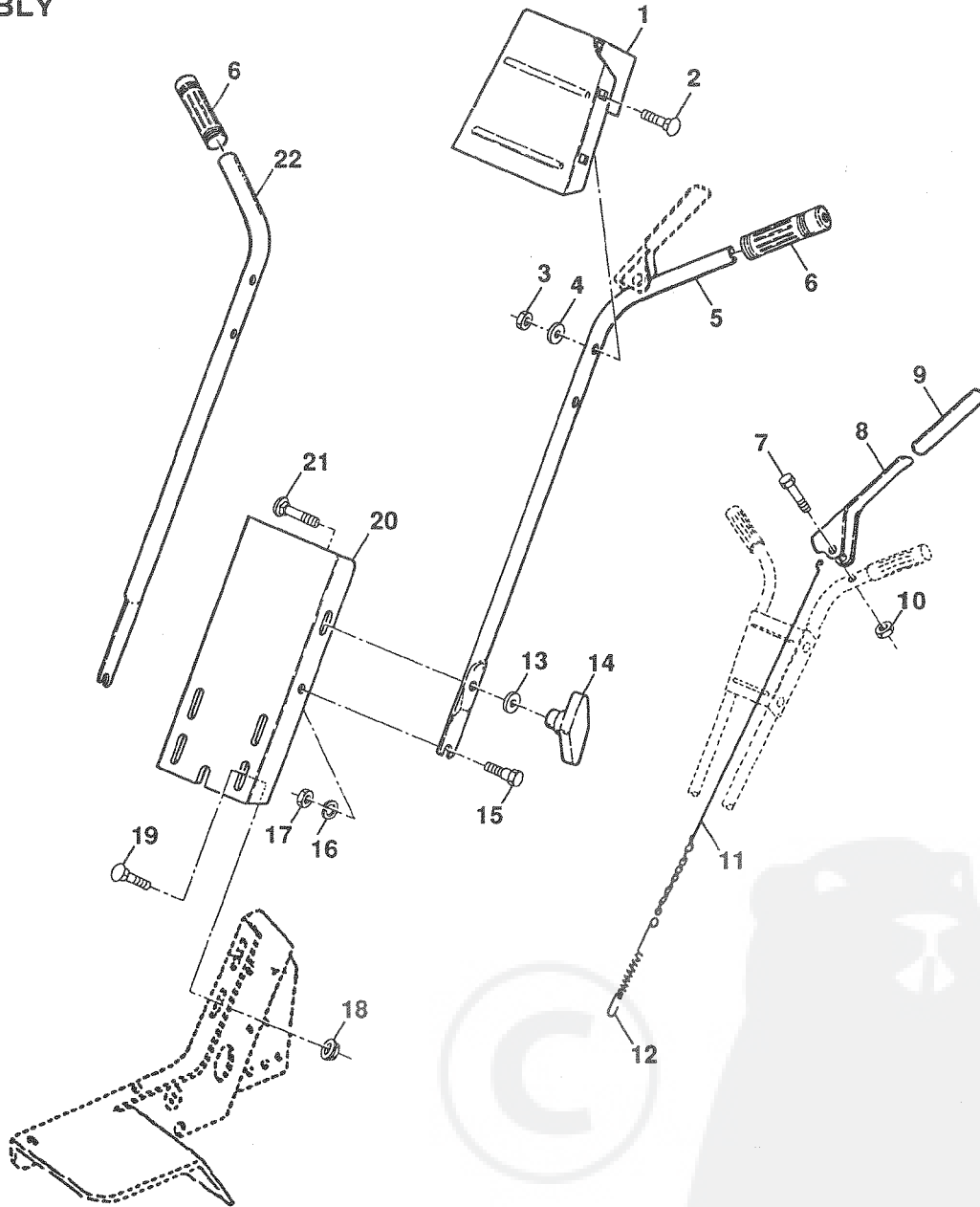


REPAIR PARTS

3 HP 17" TILLER -- MODEL NUMBER RD300C

HANDLE ASSEMBLY



| KEY NO. | PART NO. | DESCRIPTION |
|---------|------------|--------------------------------------|
| 1 | 131268X419 | Bracket, Handle |
| 2 | 72140512 | * Bolt, Carriage 5/16-18 UNC x 1-1/2 |
| 3 | 73680500 | * Locknut, Crown 5/16-18 |
| 4 | 19111116 | * Washer 11/32 x 11/16 x 16 Ga. |
| 5 | 2621J | Handle, L.H. |
| 6 | 9266R | Grip, Handle |
| 7 | 74760524 | * Bolt, Hex 5/16-18 x 1-1/2 |
| 8 | 3069J | Lever, Control, Tine |
| 9 | 8206H | Grip, Lever |
| 10 | 1685H | Nut, Hex |
| 11 | 3067J | Cable, Control, Tine |
| 12 | 3070J | Spring, Extension |
| 13 | 19121414 | * Washer 3/8 x 7/8 x 14 Ga. |
| 14 | 63688 | Knob, Handle |
| 15 | 471J | Bolt, Shoulder 5/16-18 x 3/4 |
| 16 | 10040500 | * Washer, Lock 5/16 |
| 17 | 73220500 | * Nut, Hex 5/16-18 |

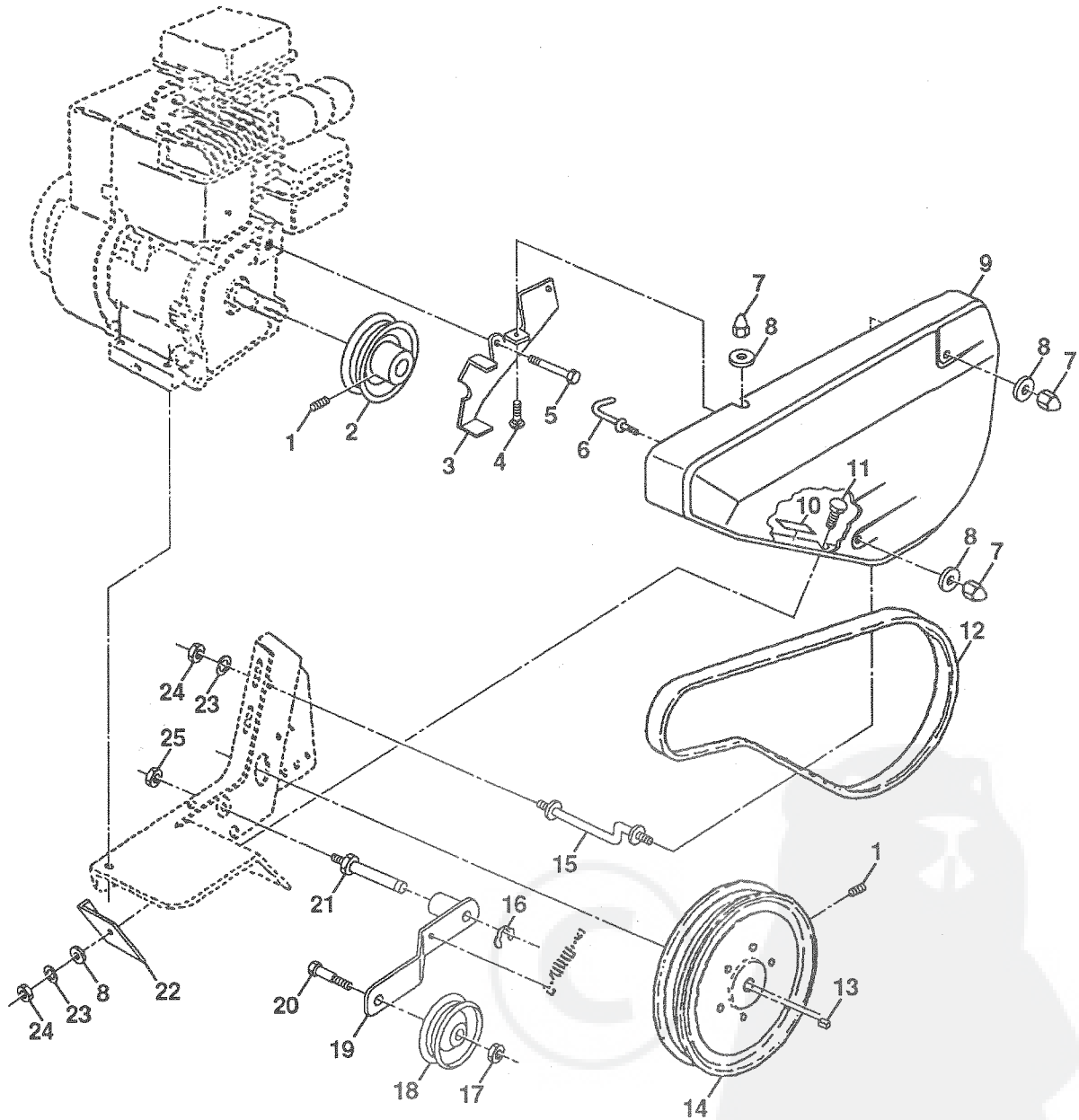
| KEY NO. | PART NO. | DESCRIPTION |
|---------|----------|--|
| 18 | 98000129 | * Nut, Flanged 5/16-18 |
| 19 | 72140506 | * Bolt, Carriage 5/16-18 x 3/4 Gr. 5 |
| 20 | 2626J419 | Panel, Handle |
| 21 | 72110510 | * Bolt, Carriage 5/16-18 x 1-1/4 Gr. 5 |
| 22 | 2622J | Handle, R.H. |
| -- | 110614X | Decal, Hand Placement (Handle Bracket) |
| -- | 110613X | Decal, Tine Control (Handle Bracket) |
| -- | 132629 | Decal, Logo (Handle Bracket) |
| -- | 132809 | Manual, Owner's (English) |
| -- | 132810 | Manual, Owner's (French) |

* STANDARD HARDWARE -- PURCHASE LOCALLY
NOTE: All component dimensions are given in U.S. inches.
 1 inch = 25.4 mm

REPAIR PARTS

3 HP 17" TILLER -- MODEL NUMBER RD300C

BELT GUARD AND PULLEY ASSEMBLY



| KEY NO. | PART NO. | DESCRIPTION |
|---------|------------|---|
| 1 | 23230506 | * Screw, Set, Forged Socket, Headless 5/16-18 x 3/8 |
| 2 | 130811 | Pulley, Engine |
| 3 | 122955X | Bracket Assembly, Guard, Belt |
| 4 | 72140404 | * Bolt, Carriage 1/4-20 x 1/2 |
| 5 | 74770812 | Bolt, Hex 1/2-20 x 3/4 |
| 6 | 121463X | Keeper, Belt, Transmission Pulley |
| 7 | 104213X | Nut, Cap 1/4-20 |
| 8 | 19091016 | * Washer 9/32 x 5/8 x 16 Ga. |
| 9 | 131157X419 | Guard, Belt |
| 10 | 109227X | Pad, Idler |
| 11 | 72140406 | * Bolt, Carriage 1/4-20 x 3/4 |
| 12 | 9179R | V-Belt |
| 13 | 2649M | Key, Square |
| 14 | 9174R | Pulley, Transmission |

| KEY NO. | PART NO. | DESCRIPTION |
|---------|----------|-----------------------------|
| 15 | 132213 | Bolt, Belt Guard Ring, Klip |
| 16 | 12000036 | |
| 17 | 73350600 | * Nut, Hex, Jam 3/8-16 |
| 18 | 9178R | Pulley, Idler |
| 19 | 674A30 | Idler Arm Assembly |
| 20 | 74760620 | * Bolt, Hex 3/8-16 x 1-1/4 |
| 21 | 106968X | Shaft, Idler Arm |
| 22 | 105358X | Shield, Dirt |
| 23 | 10040400 | * Washer Lock 1/4 |
| 24 | 73220400 | * Nut, Hex 1/4-20 |
| 25 | 73350500 | * Nut, Hex, Jam 5/16-18 |
| -- | 132811 | Decal (Belt Guard) |

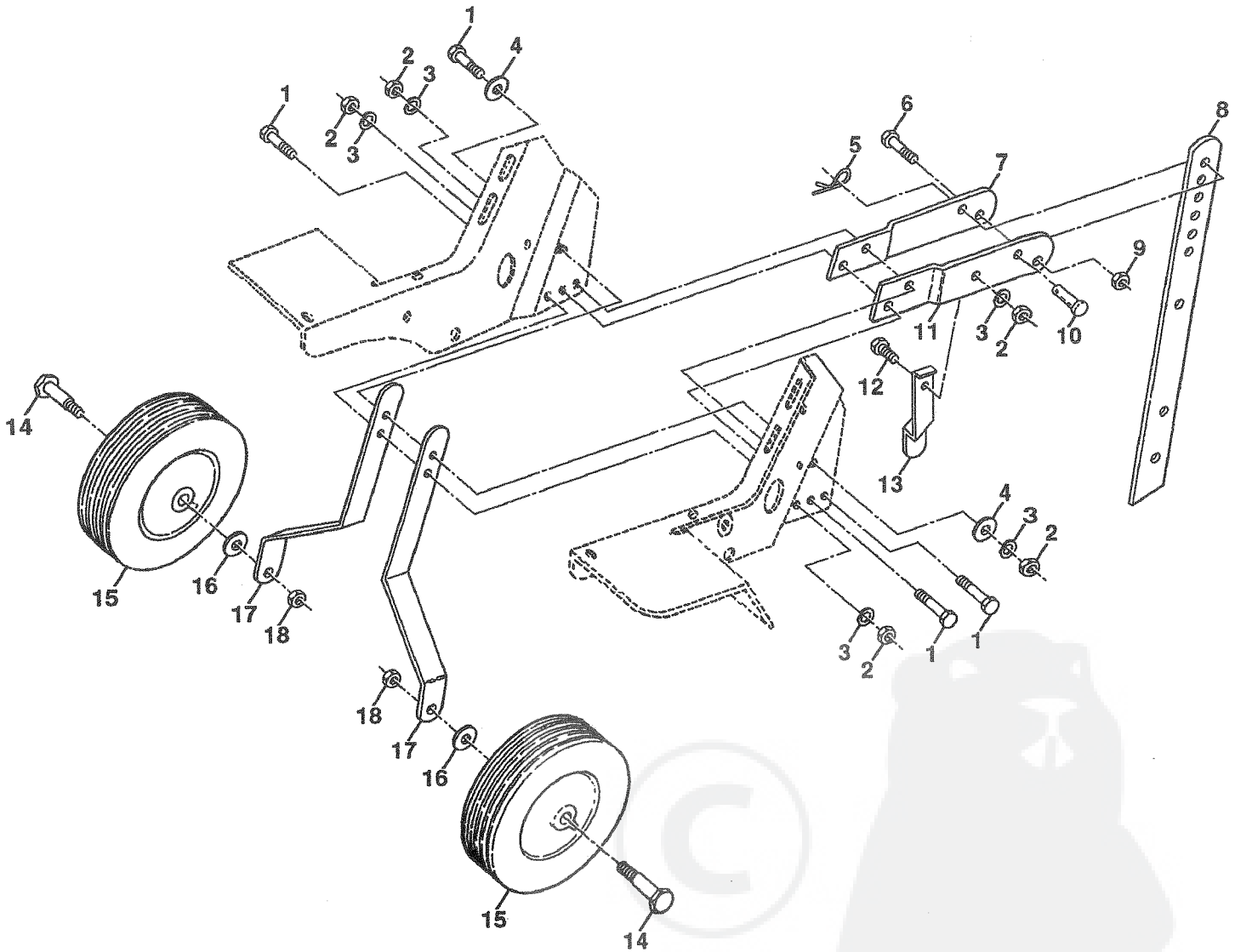
*STANDARD HARDWARE—PURCHASE LOCALLY

NOTE: All component dimensions given in U.S. inches.
1 inch = 25.4 mm

REPAIR PARTS

3 HP 17" TILLER - - MODEL NUMBER RD300C

WHEEL AND DEPTH STAKE ASSEMBLY



| KEY NO. | PART NO. | DESCRIPTION |
|---------|----------|----------------------------------|
| 1 | 74760520 | * Bolt, Hex 5/16-18 x 1-1/4 |
| 2 | 73220500 | * Nut, Hex 5/16-18 |
| 3 | 10040500 | * Washer, Lock 5/16 |
| 4 | 19121414 | * Washer 3/8 x 7/8 x 14 Ga. |
| 5 | 4921H | Clip, Hairpin |
| 6 | 74610624 | * Bolt, Hex 3/8-24 x 1-1/2 Gr. 5 |
| 7 | 318J | Support, Depth Stake, R.H. |
| 8 | 9193R | Depth Stake |
| 9 | 7810H | * Locknut 3/8-24 |
| 10 | 9551R | Pin, Clevis |
| 11 | 317J | Support, Depth Stake, L.H. |

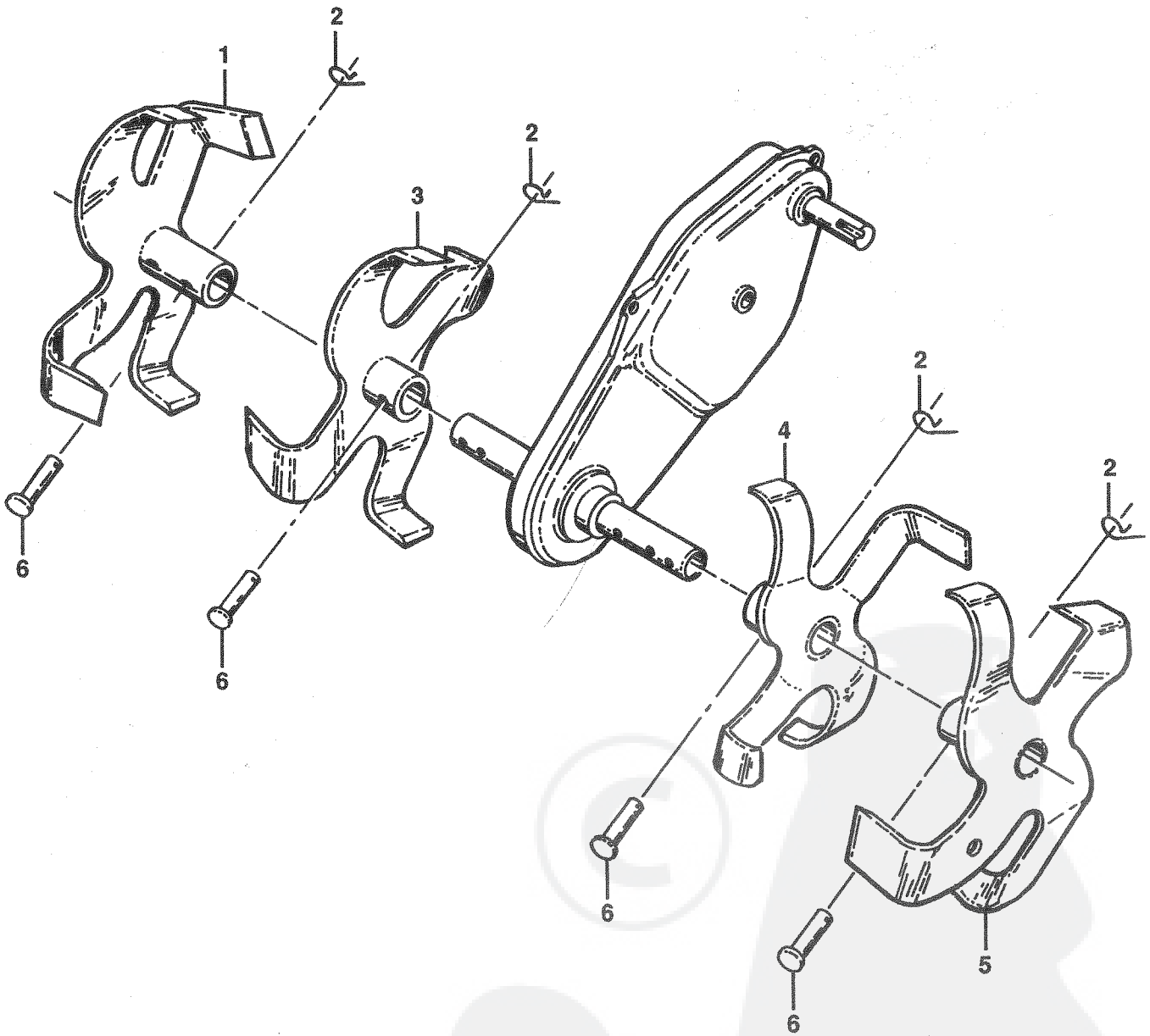
| KEY NO. | PART NO. | DESCRIPTION |
|---------|----------|---------------------------------|
| 12 | 74760512 | * Bolt, Hex 5/16-18 x 3/4 |
| 13 | 325J | Spring, Depth Stake |
| 14 | 121117X | Bolt, Shoulder |
| 15 | 9186R | Wheel |
| 16 | 19131311 | * Washer 13/32 x 13/16 x 11 Ga. |
| 17 | 9189R | Bracket, Wheel |
| 18 | 73680600 | * Nut, Crownlock 3/8-16 |

*STANDARD HARDWARE—PURCHASE LOCALLY
 NOTE: All component dimensions given in U.S. inches.
 1 inch = 25.4 mm

REPAIR PARTS

3 HP 17" TILLER - - MODEL NUMBER RD300C

TINE ASSEMBLY



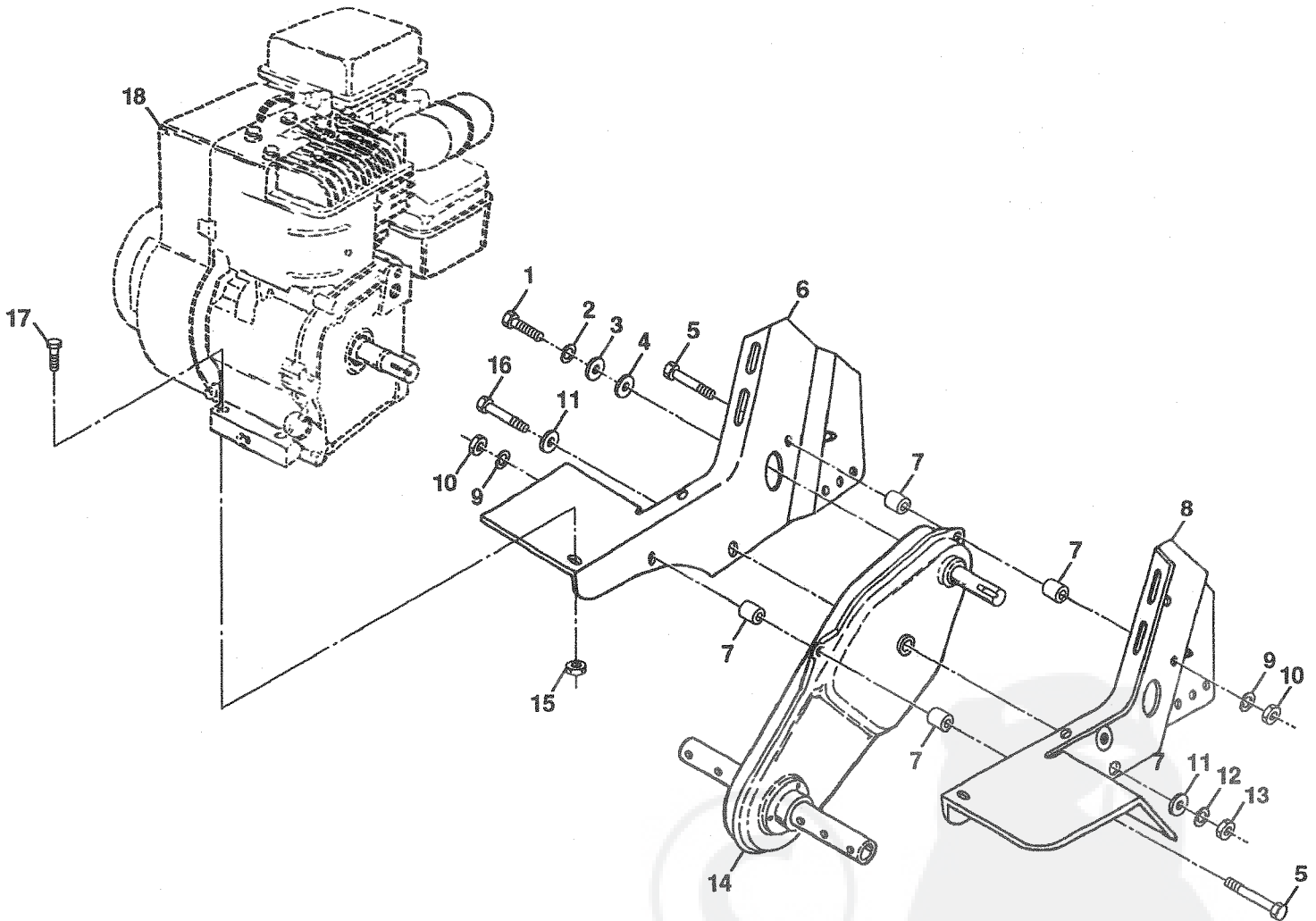
| KEY NO. | PART NO. | DESCRIPTION |
|---------|----------|-------------------|
| 1 | 106860X | Tine, Outer, R.H. |
| 2 | 4921H | Clip, Hairpin |
| 3 | 106858X | Tine, Inner, R.H. |

| KEY NO. | PART NO. | DESCRIPTION |
|---------|----------|-------------------|
| 4 | 106857X | Tine, Inner, L.H. |
| 5 | 106859X | Tine, Outer, L.H. |
| 6 | 9194R | Pin, Clevis |

REPAIR PARTS

3 HP 17" TILLER -- MODEL NUMBER RD300C

TRANSMISSION



| KEY NO. | PART NO. | DESCRIPTION |
|---------|------------|---------------------------------|
| 1 | 74610412 | Bolt, Hex 1/4-28 x 3/4 Gr. 5 |
| 2 | 10040400 | * Washer, Lock 1/4 |
| 3 | 19092016 | Washer 9/32 x 1-1/4 x 16 Ga. |
| 4 | 19091412 | Washer 9/32 x 7/8 x 12 Ga. |
| 5 | 74760544 | * Bolt, Hex 5/16-18 x 2-3/4 |
| 6 | 2606J419 | Bracket, Engine, R.H. |
| 7 | 9173R | Spacer, Split |
| 8 | 132212X419 | Bracket, Engine, L.H. |
| 9 | 10040500 | * Washer, Lock 5/16 |
| 10 | 73220500 | * Nut, Hex 5/16-18 |
| 11 | 19131311 | * Washer 13/32 x 13/16 x 11 Ga. |
| 12 | 10040600 | * Washer, Lock 3/8 |
| 13 | 7810H | * Nut 3/8-24 |

| KEY NO. | PART NO. | DESCRIPTION |
|---------|----------|---|
| 14 | 105391X | Transmission |
| 15 | 73510500 | * Nut, Keps 5/16-18 |
| 16 | 74610652 | * Bolt, Hex 3/8-24 x 3-1/4 Gr. 5 |
| 17 | 74760524 | * Bolt, Hex 5/16-18 x 1-1/2 |
| 18 | ----- | Engine, Briggs & Stratton Model No. 80202 |
| -- | 110612X | Decal, Caution |
| -- | 120076X | Decal, Warning |
| -- | 126230X | Decal, Engine |

*STANDARD HARDWARE—PURCHASE LOCALLY
NOTE: All component dimensions given in U.S. inches.
 1 inch = 25.4 mm