

OWNER'S MANUAL
Model No. RY710A
3.5 HP 14 Inch
Rear Tine Tiller

- Assembly
- Operation
- Customer Responsibilities
- Service and Adjustments
- Repair Parts

For Parts and Service In the U.S., Call 1-800-849-YARD; In Canada, Call 1-800-263-0660

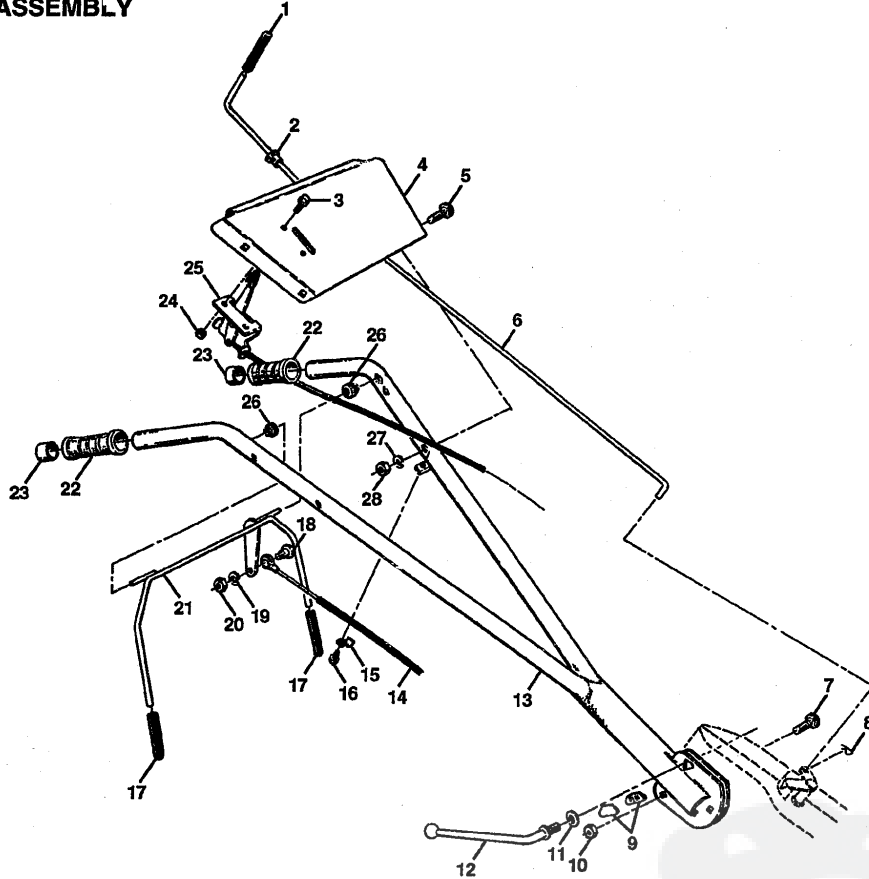
Rally

137498 9.10.92
PRINTED IN U.S.A.

REPAIR PARTS

3.5 HP 14" TILLER -- MODEL NUMBER RY710A

HANDLE ASSEMBLY



KEY NO.	PART NO.	DESCRIPTION
1	8389J	Grip, Handle
2	121248X	Bushing, Snap
3	71091008	* Screw, Machine, Pan Hd. CR. #10-24 x 1/2
4	126949X505	Bracket, Handle
5	72110514	* Bolt, Carriage 5/16-18 x 1-3/4
6	108281X	Rod, Shift
7	72110608	* Bolt, Carriage 3/8-16 x 1 Gr. 5
8	4497H	Clip, Hairpin
9	109229X	Lock, Handle
10	73930600	Nut 3/8-16
11	19131611	* Washer 13/32 x 1 x 11 Ga.
12	109228X	Lever, Lock, Handle
13	121566X	Handle
14	102162X	Cable, Clutch
15	9484R	Clip
16	86777	Screw, Hex Wsh. Hd. #10-24 x 1/2

KEY NO.	PART NO.	DESCRIPTION
17	102604X	Grip, Bar Control
18	81328	Bolt, Shoulder
19	10040400	* Washer, Lock 1/4
20	73220400	* Nut, Hex 1/4-20
21	108276X	Bar, Control
22	108279X	Grip, Handle
23	108544X	Cap, Sleeve
24	73731000	* Nut, Keps #10-24 UNC
25	127012X	Control, Throttle
26	5420J	Grommet, Handle
27	10040500	* Washer, Lock 5/16
28	1685H	Nut, Lock 5/16-18

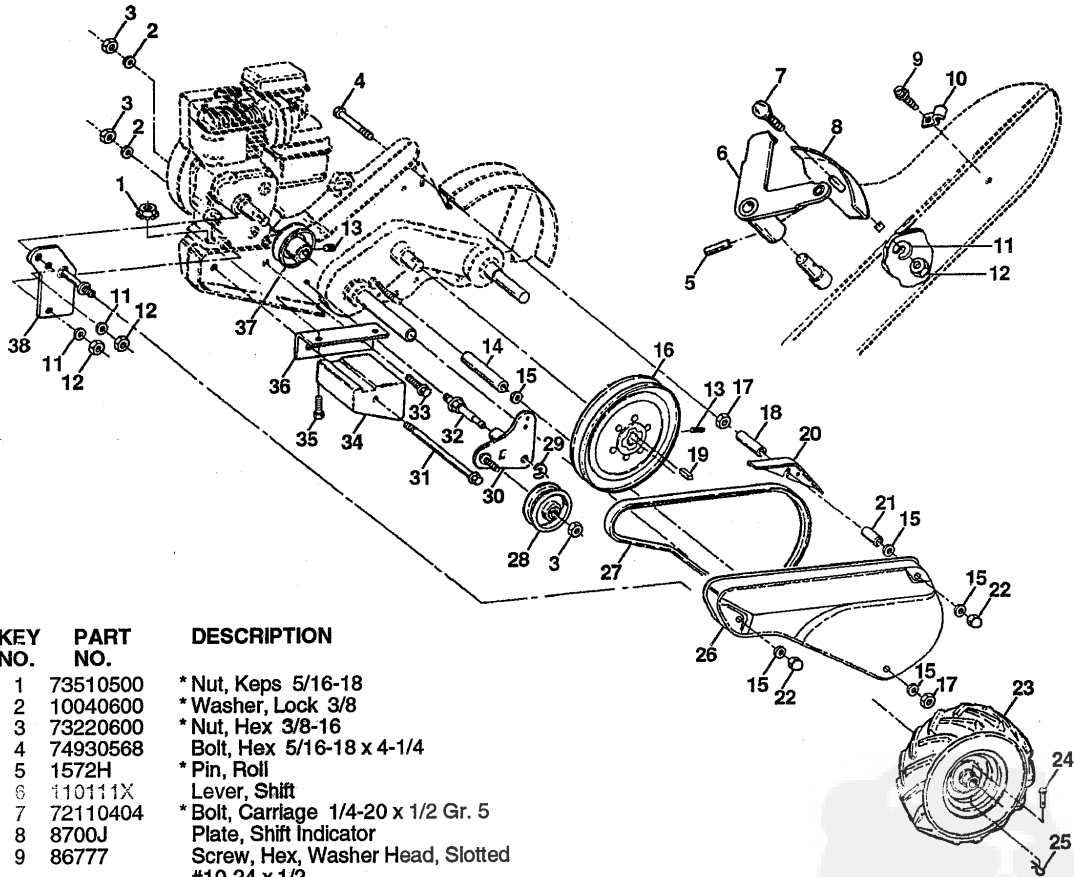
* STANDARD HARDWARE -- PURCHASE LOCALLY

NOTE: All component dimensions given in U.S. inches.
1 inch = 25.4 mm

REPAIR PARTS

3.5 HP 14" TILLER -- MODEL NUMBER RY710A

MAINFRAME, LEFT SIDE



KEY NO.	PART NO.	DESCRIPTION
1	73510500	* Nut, Keps 5/16-18
2	10040600	* Washer, Lock 3/8
3	73220600	* Nut, Hex 3/8-16
4	74930568	Bolt, Hex 5/16-18 x 4-1/4
5	1572H	* Pin, Roll
6	110111X	Lever, Shift
7	72110404	* Bolt, Carriage 1/4-20 x 1/2 Gr. 5
8	8700J	Plate, Shift Indicator
9	86777	Screw, Hex, Washer Head, Slotted #10-24 x 1/2
10	9484R	Clip
11	10040400	* Washer, Lock 1/4
12	73220400	* Nut, Hex 1/4-20
13	23230506	* Screw, Set, Hex 5/16-18 x 3/8
14	120938X	Spacer, Split 0.327 x 0.42 x 2.68
15	19111116	* Washer 11/32 x 11/16 x 16 Ga.
16	100473M	Sheave, Transmission
17	73220500	* Nut, Hex 5/16-18
18	110651X	Spacer, Split 0.327 x 0.42 x 1.75
19	2649M	Key, Square 3/16 x 1-1/8
20	110653X	Guard, Pinch Point
21	131691	Spacer, Split 0.327 x 0.42 x 1.627
22	104214X	Nut, Cap 5/16-18
23	102190X 124258X	Tire Rim
24	795R 126875X	Tire Valve Rivet, Drilled

KEY NO.	PART NO.	DESCRIPTION
25	4497H	* Clip, Hairpin
26	131159X505	Guard, Belt
27	132672	Belt, V
28	104679X	Pulley, Idler
29	12000032	Ring, Klip
30	105611X	Bracket, Idler
31	102384X	Bolt, Hex 5/16-16 x 12
32	102141X	Shaft, Idler Arm
33	74760616	* Bolt, Hex 3/8-16 x 1
34	102383X	Counterweight, L. H.
35	74760524	Bolt, Hex 5/16-18 x 1-1/2
36	102331X	Bracket, Reinforcement, L. H.
37	130816	Sheave, Engine
38	131558	Bracket, Guard Belt

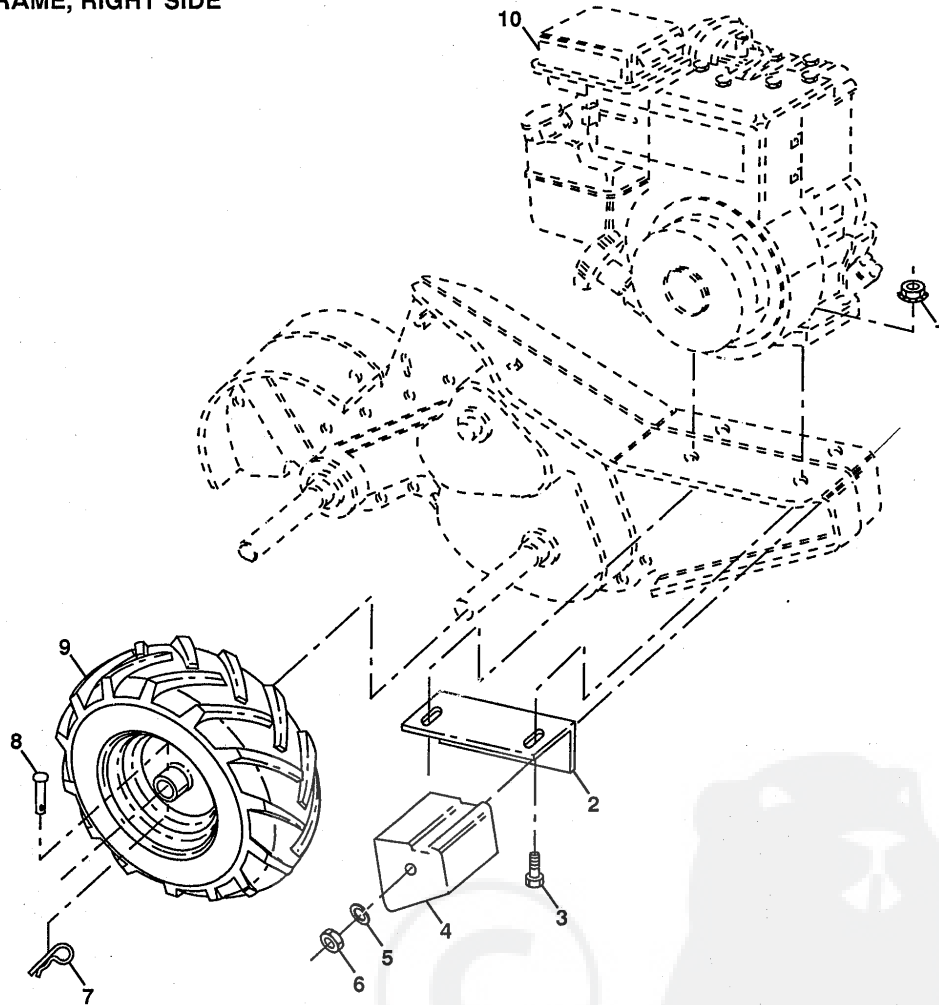
* STANDARD HARDWARE -- PURCHASE LOCALLY

NOTE: All component dimensions given in U.S. inches.
1 inch = 25.4 mm

REPAIR PARTS

3.5 HP 14" TILLER -- MODEL NUMBER RY710A

MAINFRAME, RIGHT SIDE



KEY NO.	PART NO.	DESCRIPTION
1	73510500	* Nut, Keps 5/16-18
2	102332X	Bracket, Reinforcement
3	74760524	Bolt, Hex 5/16-18 x 1-1/2
4	102173X	Counter Weight, R.H.
5	10040600	* Washer, Lock 3/8
6	73220600	* Nut, Hex 3/8-16
7	4497H	* Clip, Hairpin
8	126875X	Rivet, Drilled

KEY NO.	PART NO.	DESCRIPTION
9	102190X 124258X 795R	Tire Rim Tire Valve
10	-----	Engine, Briggs & Stratton Model No. 91202

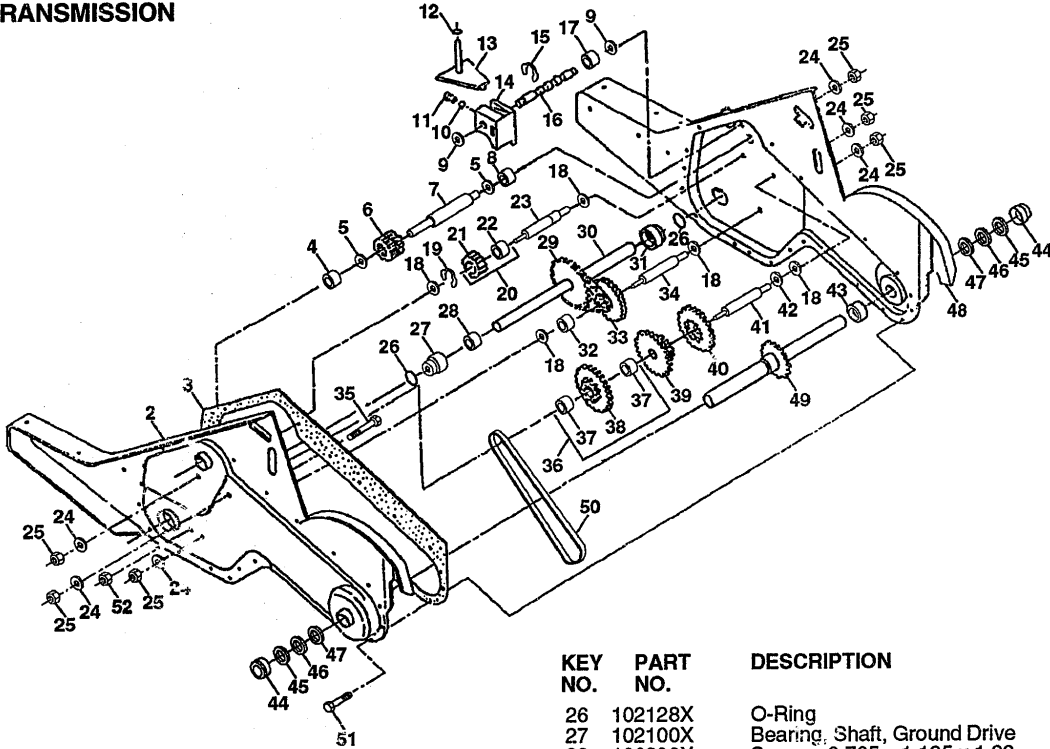
* STANDARD HARDWARE -- PURCHASE LOCALLY

NOTE: All component dimensions given in U.S.inches.
1 inch = 25.4 mm

REPAIR PARTS

3.5 HP 14" TILLER - - MODEL NUMBER RY710A

TRANSMISSION



KEY NO.	PART NO.	DESCRIPTION
1	137555	Transmission Assembly (Includes Key Nos. 2-52)
2	121147X	Gearcase, L.H. w/Bearing (Includes Key No. 4)
3	106211X	Gasket, Gearcase
4	5020J	Bearing, Needle
5	1370H	Washer, Thrust 5/8 x 1.10 x 1/32
6	102113X	Pinion, Input
7	102110X	Shaft, Input
8	4895H	Bearing, Needle
9	102136X	Washer, Seal
10	7392M	Ball, Steel
11	100371K	Spring, Shift, Fork
12	106160X	O-Ring
13	102107X	Arm., Shift
14	8353J	Fork, Shift
15	12000039	Ring, Klip
16	102109X	Shaft, Shift
17	104159X	Spacer, Split
18	4358J	Washer
19	12000040	Ring, Klip
20	102114X	Gear, Assembly, Reverse Idler (Includes Key Nos. 21 and 22)
21	102115X	Gear, Reverse Idler
22	6803J	Bearing, Needle
23	102111X	Shaft, Reverse Idler
24	10040700	* Washer, Lock 7/16
25	73610700	* Nut, Hex 7/16-20

KEY NO.	PART NO.	DESCRIPTION
26	102128X	O-Ring
27	102100X	Bearing, Shaft, Ground Drive
28	106390X	Spacer 0.765 x 1.125 x 1.23
29	102134X	Chain #35-50 Pitch
30	109204X	Ground Shaft Assembly
31	102106X	Bearing, Shaft, Ground Drive
32	106386X	Spacer 0.70 x 1.00 x 1.150
33	102121X	Sprocket and Gear Assembly
34	102112X	Shaft, Reduction (2nd)
35	102101X	Screw, Whiz, Lock 5/16-18 x 3-1/2
36	137300	Sprocket Assembly w/Bearing (Includes Key Nos. 37 and 38)
37	4422J	Bearing, Needle
38	137301	Sprocket, Tine
39	105345X	Gear, Cluster, Red 1st & 2nd
40	105346X	Gear, Reverse
41	8358J	Shaft, Reduction (1st)
42	4220R	Washer, Thrust
43	106146X	Spacer 1.01 x 1.75 x 0.760
44	9672R	Cup, Formed
45	102144X	Ring, Spiral
46	9676R	Seal, Ring, Rubber
47	9674R	Seal, Oil
48	121745X	Gearcase, R.H. w/Bearing (Includes Key No. 8)
49	132688	Shaft, Tine
50	106147X	Chain, Roller #50-50 Pitch
51	17580408	Screw 1/4-20 x 1/2
52	73220500	* Nut, Hex 5/16-18
--	6066J	Grease, Plastilube #1

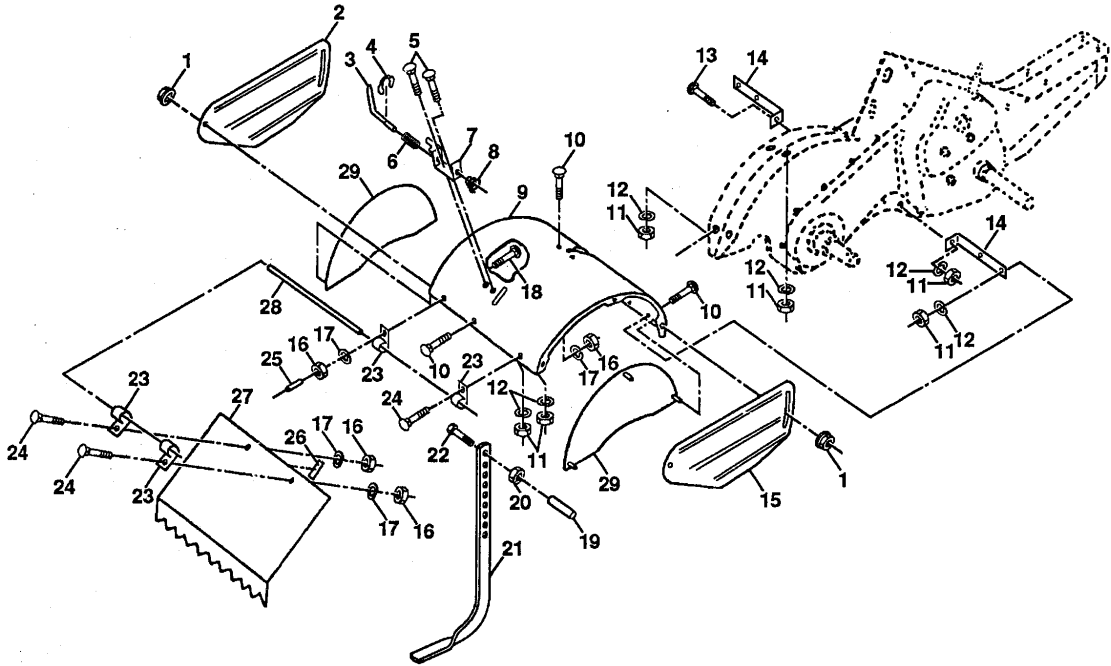
* STANDARD HARDWARE - - PURCHASE LOCALLY

NOTE: All component dimensions given in U.S. inches.
1 inch = 25.4 mm

REPAIR PARTS

3.5 HP 14" TILLER - - MODEL NUMBER RY710A

TINE SHIELD



KEY NO.	PART NO.	DESCRIPTION
1	98000129	Nut, Flange 5/16-18
2	104086X505	Shield, Side, Outer L. H.
3	8393J	Pin, Stake, Depth
4	12000036	Ring, Klip
5	72110508	Bolt, Carriage 5/16-18 x 1
6	8394J	Spring
7	8392J	Bracket, Latch
8	109230X	Spring, Depth Stake
9	102152X505	Shield, Tine
10	72140506	* Bolt, Carriage 5/16-18 x 3/4 Gr 5
11	73220500	* Nut, Hex 5/16-18
12	10040500	* Washer, Lock 5/16
13	72110510	Bolt, Carriage 5/16-18 x 1-1/4
14	124343X	Bracket, Shield Tine
15	104101X505	Shield, Side, Outer R.H.
16	73220400	* Nut, Hex 1/4-20

KEY NO.	PART NO.	DESCRIPTION
17	10040400	* Washer, Lock 1/4
18	72040410	* Bolt, Carriage 1/4-20 x 1-1/4 Gr. 5
19	102701X	Grip
20	73220600	* Nut, Hex 3/8-16
21	102156X	Stake, Depth
22	74930632	Bolt, Hex 3/8-16 x 2
23	4440J	Hinge
24	72140404	* Bolt, Carriage 1/4-20 x 1/2 Gr. 5
25	6712J	Cap, Vinyl
26	109227X	Pad, Idler
27	102686X505	Shield, Leveling
28	120588X	Pin, Hinge
29	104085X505	Shield, Side

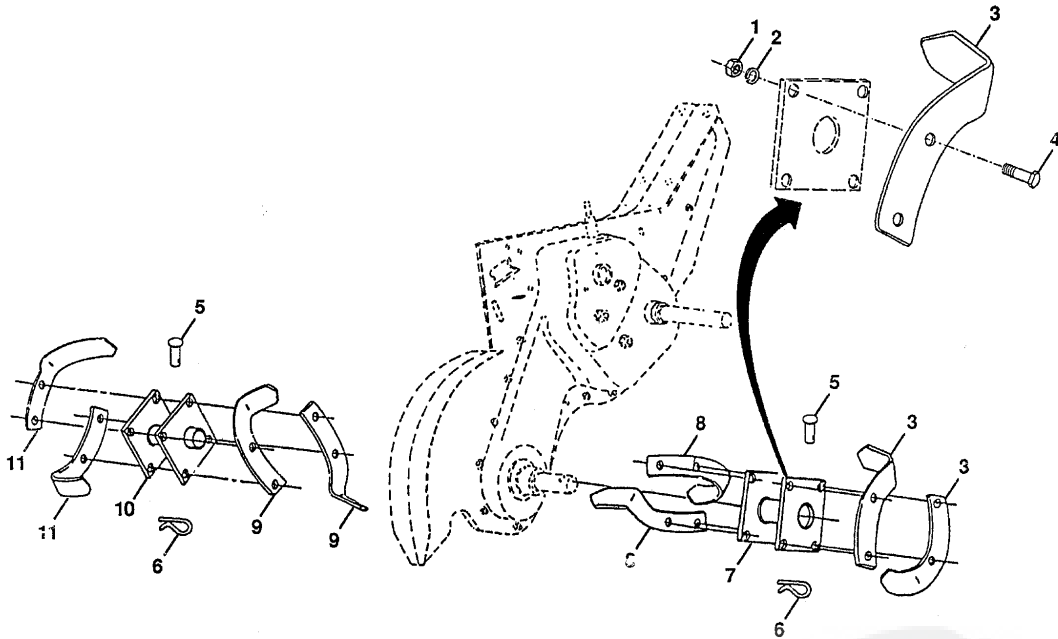
* STANDARD HARDWARE - - PURCHASE LOCALLY

NOTE: All component dimensions given in U.S. inches.
1 inch = 25.4 mm

REPAIR PARTS

3.5 HP 14" TILLER - - MODEL NUMBER RY710A

TINES



KEY NO.	PART NO.	DESCRIPTION
1	73610600	Nut, Hex 3/8-24
2	10040600	Washer, Lock 3/8
3	4460J	Tine, Outer, R.H.
4	74610616	Bolt, Hex 3/8-24 x 1
5	132673	Pin, Shear
6	3146R	Clip, Hairpin

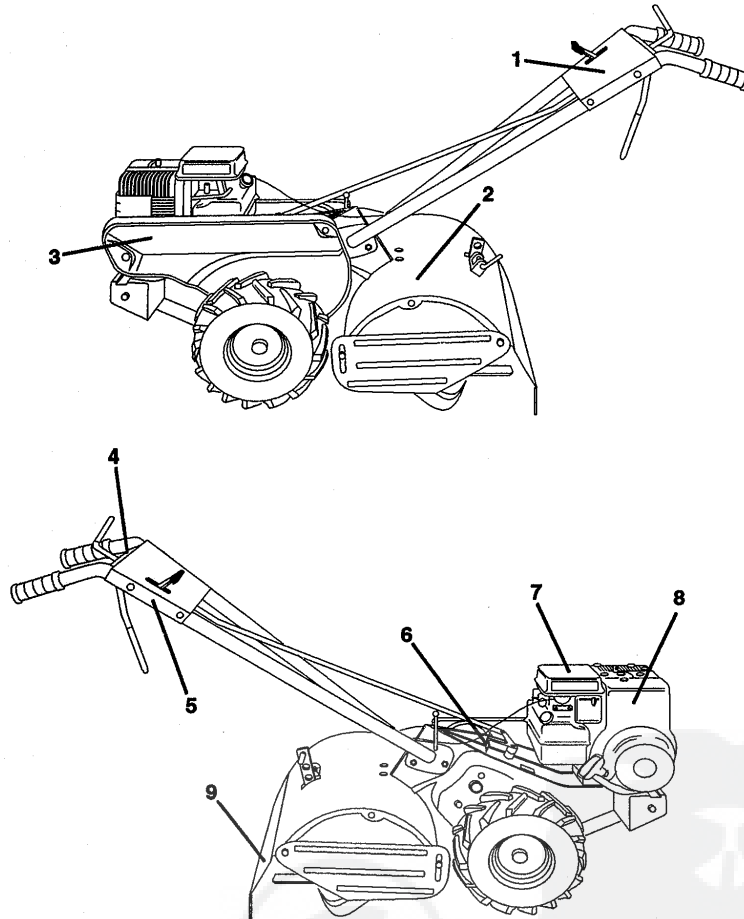
KEY NO.	PART NO.	DESCRIPTION
7	132722	Assembly, Hub and Plate, R.H.
8	6555J	Tine, Inner, R.H.
9	6554J	Tine, Inner, L.H.
10	132721	Assembly, Hub and Plate, L.H.
11	4459J	Tine, Outer, L.H.

NOTE: All component dimensions given in U.S. inches.
1 inch = 25.4 mm

REPAIR PARTS

3.5 HP 14" TILLER -- MODEL NUMBER RY710A

DECALS



KEY NO.	PART NO.	DESCRIPTION
1	137432	Decal, Logo
2	127210X	Decal, Logo
3	137433	Decal, Logo
4	110678X	Decal, Instruction, Tilling
5	110614X	Decal, Hand Placement
6	104323X	Decal, Shift Indicator
7	110612X	Decal, Caution
8	126230X	Decal, Briggs & Stratton
9	120076X	Decal, Warning, Rotating Tines
--	137498	Manual, Owner's (English)
--	137499	Manual, Owner's (French)