

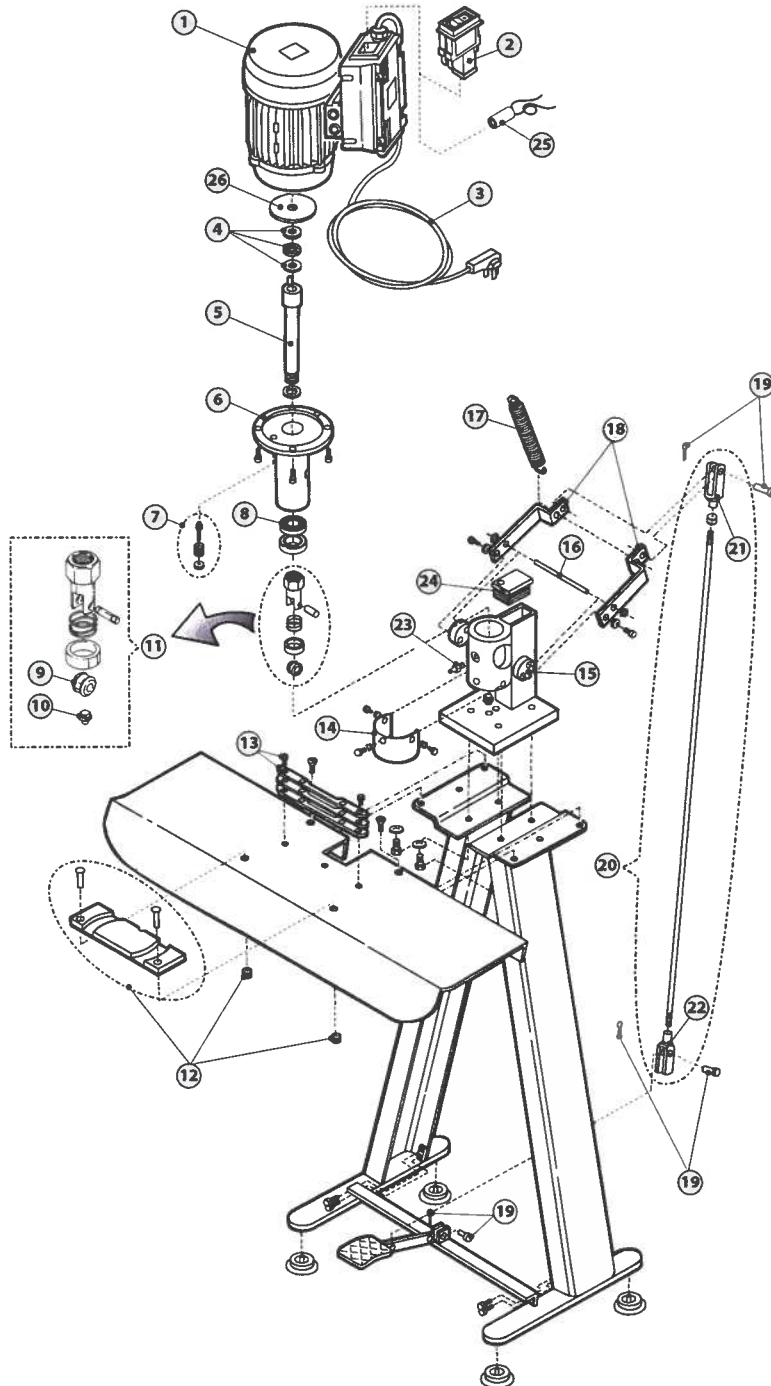
CHAIN SAW ACCESSORIES SPARE PARTS



RIVETMASTER

electric rivet spinner 120 V - 230 V

► SPARE PARTS



P/N	DESCRIPTION	ORDER MULTIPLES OF:
1 1131004	E-motor 120V~	1 pc
1131003	E-motor 230V~	1 pc
2 1131143	Switch schurter 120V~	1 pc
1150185	Switch eichcoff 230V~	1 pc
3 K00500043	Electric cable 120V~	1 pc
K00500042	Electric cable 230V~	1 pc
4 1131059	Needle bearing	1 pc
5 1131057	Spin shaft	1 pc
6 1131012	E-motor holding flange	1 pc
7 1131056	Clearance adj. Screw kit	1 pc
8 7160003	Bearing 16002-Z	1 pc
9 1131124	Spin roll 3/8"-.404 (A)	1 pc
1131125	Spin roll 90SG-91-1/4"-.325"	1 pc
10 1131126	Thrust anvil (A)	1 pc
1131127	Thrust anvil (B)	1 pc
11 1131130	Kit spinroll-anvil (A) 3/8"-.404	1 pc
1131131	Kit spinroll-anvil (B) 90SG-91-1/4"-.325"	1 pc
12 1131132	Chain guide kit	1 pc
13 1131060	Jaws kit	1 pc
14 1131091	Face shield	1 pc
15 1131011	Cam shaft	2 pcs
16 1131024	Cam pin	1 pc
17 1131027	Lever spring	1 pc
18 1131016	E-motor shifting lever	2 pcs
19 1131055	Kit split pin and pin	1 pc
20 1131109	Bar and yoke kit	1 pc
21 1131036	Zinc yoke	1 pc
22 1131066	Zinc yoke	1 pc
23 1131049	Zerk fitting	2 pcs
24 1131035	Barrel plug	1 pc
25 1131005	Capacitor 120V~ 25mF	1 pc
1131063	Capacitor 230V~ 15mF	1 pc
26 1131013	Shim washer	1 pc

PACKAGING:
Nylon Bag

